

CAL COMPACT AREA LIGHT

PROJECT: _____

SCHEDULE: _____ DATE: _____

PREPARE BY: _____

NOTES: _____

DESCRIPTION

naturaLED® Compact Area Light is constructed with a durable, die-cast aluminum housing and excellent thermal design and is the perfect lighting solution for your parking lot, street, walkway, building flood up/down light and/or as a sign lighter. It provides uniform, consistent color with a wide range of wattage selections to replace up to 1500W HID fixtures. Our fixtures are DLC Premium certified and IP65 rated with three types of mounting options available: Pole Mount, Slip Fitter, and Yoke Mount. Compatible with photocell sensors, receptacle, and IR motion sensor are available as optional accessories to address your needs.



Rated Life 50,000 Hours
Warranty 5 Years

APPLICATIONS

Parking Lot, Street, Site, Streetscape, Area Lighting

FEATURES

- DLC Premium
- IP65 Rated
- Select binning for color consistency
- Uniform and consistent color
- Minimize Glare
- Type 3 Light Distribution
- Material: Die Cast Aluminum
- Lens: UV resistant polycarbonate lens
- Input line voltage: 120-277V / 120-347V / 277-480V
- Dimmable: 1-10V (120-277V) / 0-10V (120-347V, 277-480V)
- Power factor: >0.9
- IK Rating: IK09
- Surge Protection: 6KV
- CRI: 80
- ColorTemp: 4000K, 5000K
- Operating temperature: -40°F - 113°F
- Finish: Black or Bronze

ACCESSORIES

	Mounting Arms		Wall Mount
	Shorting Cap		Receptacle
	Photocell		Sensors
	Grouping/Zoning Sensor Kit		Glare Shield
	Surge Protection		
	Lens- Type IV / V		

SAMPLE NUMBER FXCAL150/840/BZ/3S/480

FAMILY	SERIES	WATTAGE	CRI/COLOR TEMP	COLOR	TYPE	VOLTAGE
FX fixture	CAL compact area light	150 150W	840 CRI 80 4000K	BZ bronze	3S type3	480 480V



COMPACT AREA LIGHT

WALL & AREA LUMINAIRES

ORDERING

*P= Premium DLC / *S = Standard DLC

Watts (W)	Ordering Code	Description	CCT (K)	Lumens (Lm)	Equiv. Wattage (W)	Voltage	Beam Angle	IP65 Rated	DLC (S/P)
100	9492	FXCAL100/840/BZ/3S	4000K	13,873	250-400	120-277	Type3	•	P
100	9493	FXCAL100/850/BZ/3S	5000K	14,100	250-400	120-277	Type3	•	P
150	9494	FXCAL150/840/BZ/3S	4000K	21,000	400-575	120-277	Type3	•	P
150	9495	FXCAL150/850/BZ/3S	5000K	21,150	400-575	120-277	Type3	•	P
240	9496	FXCAL240/840/BZ/3S	4000K	33,600	750-1000	120-277	Type3	•	P
240	9497	FXCAL240/850/BZ/3S	5000K	33,840	750-1000	120-277	Type3	•	P
300	9498	FXCAL300/840/BZ/3S	4000K	42,000	1000-1500	120-277	Type3	•	P
300	9499	FXCAL300/850/BZ/3S	5000K	42,300	1000-1500	120-277	Type3	•	P
150	9528	FXCAL150/840/BZ/3S/480	4000K	21,000	400	277-480	Type3	•	pending
150	9529	FXCAL150/850/BZ/3S/480	5000K	21,000	400	277-480	Type3	•	pending
300	9518	FXCAL300/840/BZ/3S/480	4000K	40,500	1000	277-480	Type3	•	pending
300	9519	FXCAL300/850/BZ/3S/480	5000K	40,500	1000	277-480	Type3	•	pending
100	9512	FXCAL100/840/BZ/3S/347	4000K	14,000	250-400	120-347	Type3	•	pending
100	9513	FXCAL100/850/BZ/3S/347	5000K	14,000	250-400	120-347	Type3	•	pending
150	9514	FXCAL150/840/BZ/3S/347	4000K	21,000	400-575	120-347	Type3	•	pending
150	9515	FXCAL150/850/BZ/3S/347	5000K	21,000	400-575	120-347	Type3	•	pending
300	9516	FXCAL300/840/BZ/3S/347	4000K	40,500	1000-1500	120-347	Type3	•	pending
300	9517	FXCAL300/850/BZ/3S/347	5000K	40,500	1000-1500	120-347	Type3	•	pending

ACCESSORIES (Ordered Separately)



Slip Fitter
P10366 MT-CAL/SF/BZ
(Slip Fitter Mount for CAL)



8" Pole Mount Arm
P10365 MT-CAL/PM8/BZ
(8" Pole Mount Arm for CAL)



Yoke Mount
P10367 MT-CAL/YK13/BZ
(Yoke Mount for CAL)



Wall Mount
K379200 MT-CAL/WM/BZ
(CAL Wall Mount Kit Bronze
P10379 MT-CAL/MH/BZ +
P10200 MT-SAL/WM/BZ)



Shorting Cap
P10053 SEN-PHO-LK-MT-SRT
(Twist Lock Photocell Shorting Cap
120-480V 3 Prong)



Dusk to Dawn Photocell
K141030 REC3PLK/PHO
(Twist Lock Photocell & Receptacle
120-277V 3 Prong)



Glare Shield
P10405 GSFb-CAL/BZ
(Requires 1pc for 100/150W,
Recommend 2 pcs for 240/300W)



Twist Lock Receptacle
P10141 REC3PLK
(Twist Lock Photocell & Receptacle
Mount 120-480V 3 Prong)



P10142 REC7PLK
(Twist Lock Photocell & Receptacle
Mount 120-480V 7 Prong)



Individual Sensors
P10387 SEN-BRI823-B-D
(PIR Motion/ Photocell 1-10V Bi-Level
Control Internal 120-277V)



P10371 SEN-BRI619
(Sensor Motion 0-10V IP66 Internal
12-24V IR head)



P10316 SEN-RC100
(Optional Remote Programmer for
P10387, P10371)



Surge Protection
P10389 SPD-L-10KV-277
(Surge Protection 10KV 120-277V)



P10390 SPD-L-20KV-277
(Surge Protection 20KV 120-277V)



P10391 SPD-L-20KV-480
(Surge Protection 20KV 347-480V)



Plate with Grouping/Zoning Sensor Kit
P10259 SEN-ON-SRP281
(Remote Programmer for grouping/zoning)

K368258 PLT/SBZ/CAL/LRD9SWC
(Small plate with PIR linkable sensor 0-10V
bi-level control 120-277V for 100W, 150W)

K368370 PLT/SBZ/CAL/BRDSWC
(Small plate with motion/remote linkable sensor
0-10V 3X C Lens 120-347V, 277-480V for 100W, 150W)

K369258 PLT/LBZ/CAL/LRD9SWC
(Large plate with PIR linkable sensor 0-10V
bi-level control 120-277V for 240W, 300W)

K369370 PLT/LBZ/CAL/BRDSWC
(Large plate with motion/remote linkable sensor
0-10V 3X C Lens 120-347V, 277-480V for 240W, 300W)



Type IV / V Lens for 100/150W
P10398 LENS-CAL-IV
(Lens for CAL 100/150W Type IV Lens)

P10399 LENS-CAL-V
(Lens for CAL 100/150W Type V Lens)



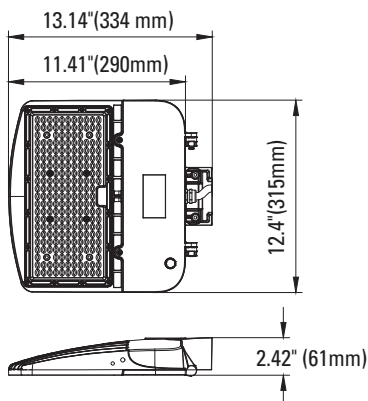
Type IV / V Lens for 240/300W
K398X2 LENS-CA:240/300-IV
(Lens Kit for CAL 240/300W Type IV Lens)

K399X2 LENS-CA:240/300-V
(Lens Kit for CAL 240/300W Type V Lens)

DIMENSIONS

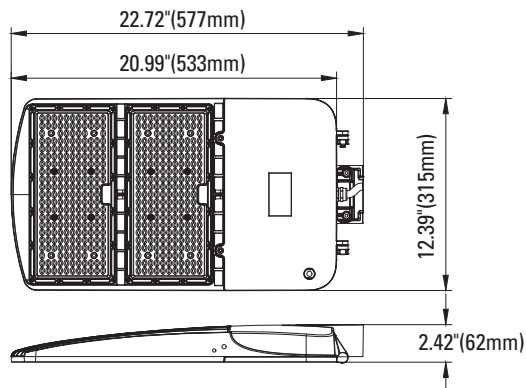
100W
6.28-lbs

150W
6.48-lbs



240W
10.31-lbs

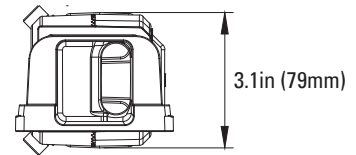
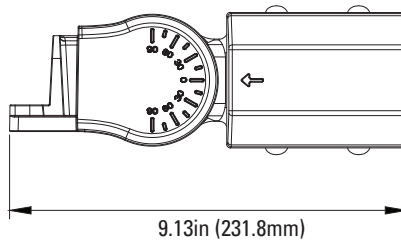
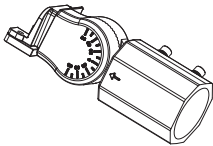
300W
10.75-lbs



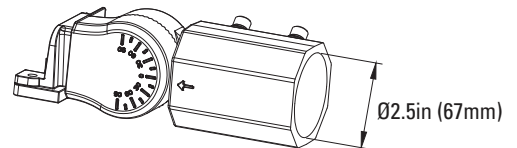
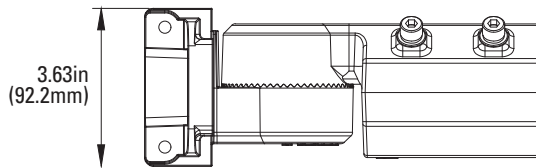
MOUNTING

Slip Fitter

P10366 MT-CAL/SF/BZ



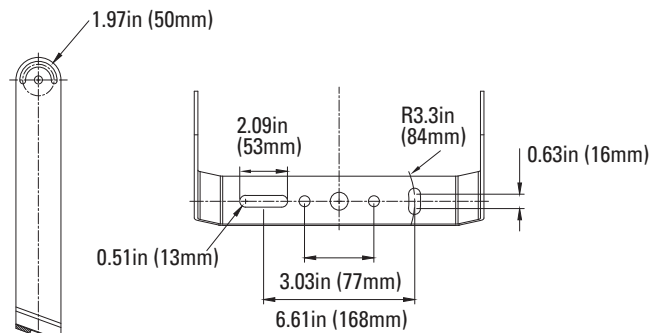
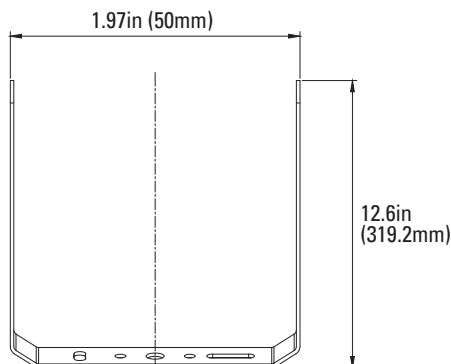
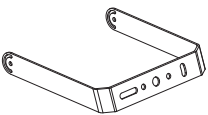
SCALE : 1:1
Measure Tolerance is: ±0.15 mm, ±0.01in



MOUNTING

Yoke Mount

P10367 MT-CAL/YK13/BZ



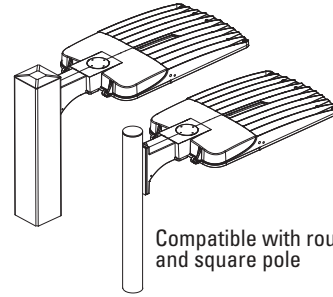
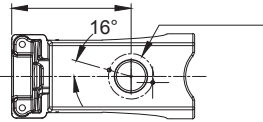
SCALE : 1:1
Measure Tolerance is: ±0.15 mm, ±0.01in

MOUNTING

8" Pole Mount Arm P10365 MT-CAL/PM8/BZ (Bronze)



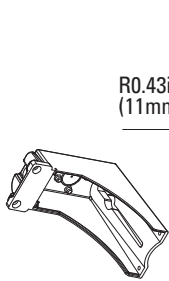
5.18in (131.6mm)



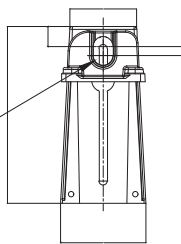
Compatible with round and square pole



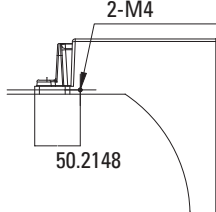
Remove gasket for round pole mounting



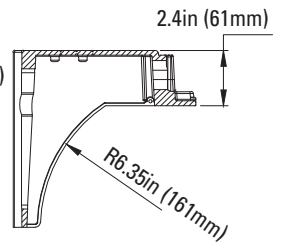
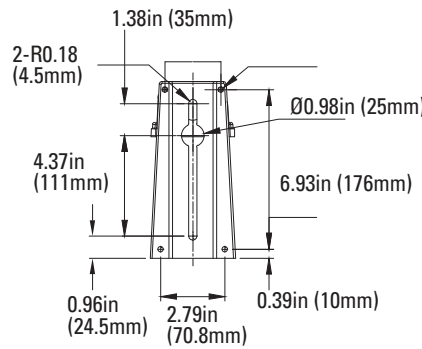
R0.43in (11mm)



2-M4



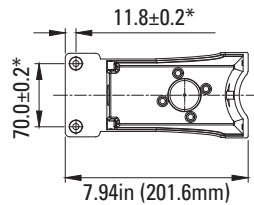
50.2148



2.4in (61mm)

R6.35in (161mm)

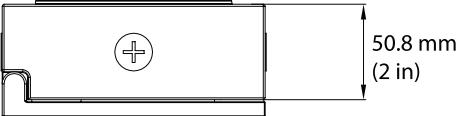
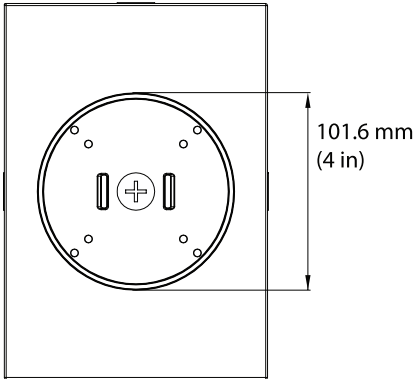
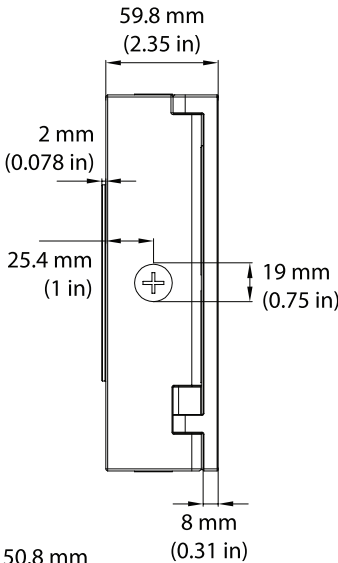
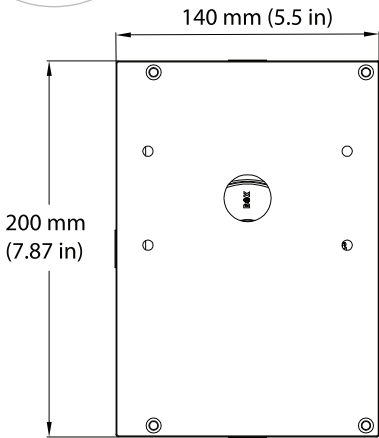
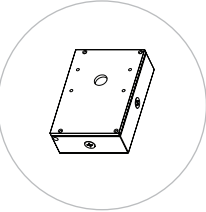
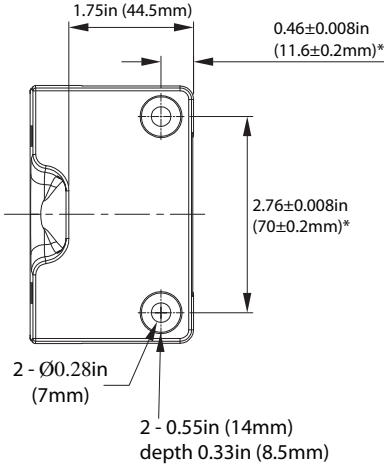
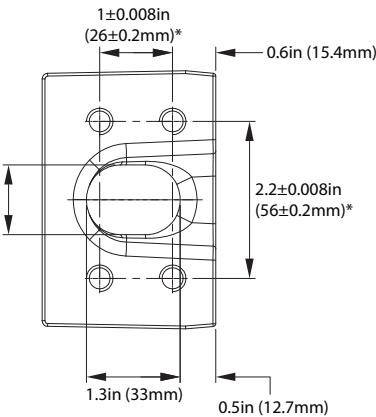
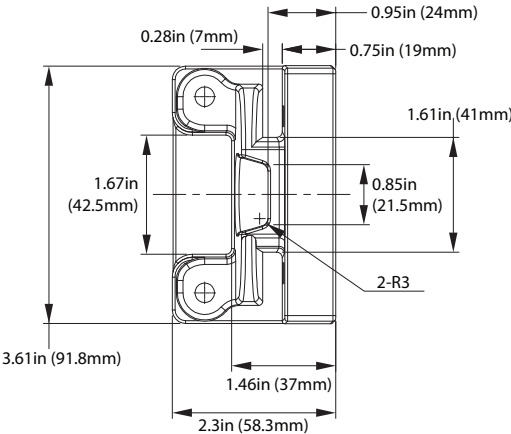
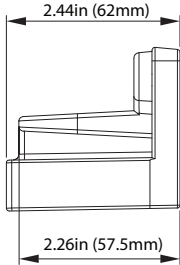
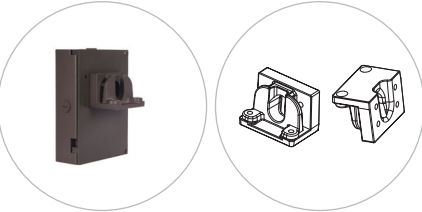
SCALE : 1:1
Measure Tolerance is: ±0.15 mm, ±0.01in





7.94in (201.6mm)

MOUNTING

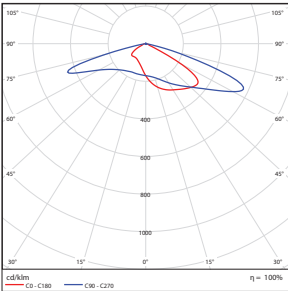
Wall Mount
K379200 MT-CAL/WM/BZ
(P10379 MT-CAL/MH/BZ + P10200 MT-SAL/WM/BZ)



 
SCALE : 1:1
Measure Tolerance is: ±0.15 mm, ±0.01in
Material: Aluminium

PHOTOMETRICS CHART

100W
DLC Premium

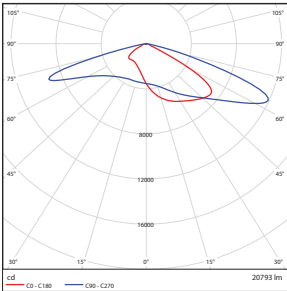


Illuminance at a Distance

Center Beam Fc	Beam Width	
3.3R	217 fc	4.5 ft 2.4 ft
6.7R	52.6 fc	9.2 ft 4.9 ft
10.0R	23.6 fc	13.8 ft 7.3 ft
13.3R	13.3 fc	18.3 ft 9.7 ft
16.7R	8.46 fc	23.0 ft 12.2 ft
20.0R	5.90 fc	27.5 ft 14.6 ft

Vert. Spread: 69.1°
Horiz. Spread: 40.2°

150W
DLC Premium

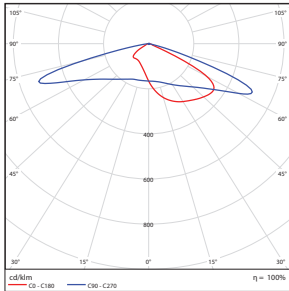


Illuminance at a Distance

Center Beam Fc	Beam Width	
3.3R	325 fc	4.5 ft 2.4 ft
6.7R	78.8 fc	9.2 ft 4.9 ft
10.0R	35.4 fc	13.8 ft 7.3 ft
13.3R	20.0 fc	18.3 ft 9.7 ft
16.7R	12.7 fc	23.0 ft 12.2 ft
20.0R	8.84 fc	27.5 ft 14.6 ft

Vert. Spread: 69.1°
Horiz. Spread: 40.2°

240W
DLC Premium

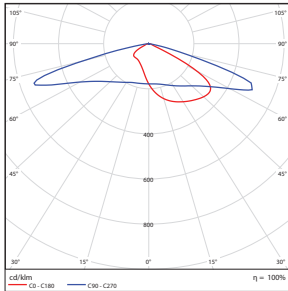


Illuminance at a Distance

Center Beam Fc	Beam Width	
5.0R	224 fc	6.8 ft 3.1 ft
10.0R	56.1 fc	13.7 ft 6.3 ft
15.0R	24.9 fc	20.5 ft 9.4 ft
20.0R	14.0 fc	27.3 ft 12.6 ft
25.0R	8.97 fc	34.1 ft 15.7 ft
30.0R	6.23 fc	41.0 ft 18.9 ft

Vert. Spread: 66.6°
Horiz. Spread: 34.9°

300W
DLC Premium



Illuminance at a Distance

Center Beam Fc	Beam Width	
5.0R	303 fc	7.6 ft 5.7 ft
10.0R	75.9 fc	15.2 ft 11.4 ft
15.0R	33.7 fc	22.8 ft 17.1 ft
20.0R	19.0 fc	30.4 ft 22.8 ft
25.0R	12.1 fc	38.1 ft 28.6 ft
30.0R	8.43 fc	45.7 ft 34.3 ft

Vert. Spread: 74.5°
Horiz. Spread: 59.5°

PACKAGE

Case Qty 1 pc

