

PROJECT:	
SCHEDULE:	DATE:
PREPARE BY:	
NOTES:	

TF TROFFER (CCT3)

DESCRIPTION

naturaLED® Troffer is the perfect solution for your interior lighting needs. This DLC Premium Troffer is available in 2'x2' and 2'x4' dimensions for TBar/Grid ceilings. Available options include Emergency LED Driver and Microwave Motion Sensor. This is a lightweight fixture with a bug-free lens design and produces up to 6,350 lumens with excellent light distribution and color consistency.



APPLICATIONS

Conference, Meeting Rooms, Factories, Offices, Schools, Hospitals



Rated Life Hours 50,000
Warranty 5 Years

FEATURES

- DLC Standard
- Damp Location
- ETL Listed
- Easy installation for retrofit replacement
- Available in 2' or 4' length
- Material: Steel and PC lens
- Input line Voltage: 120-277V
- Dimmable: 0-10V
- Power Factor: >0.9
- CRI: 80
- Surge Protection: 2KV
- Beam Angle: 115°
- Color Temp: CCT3 (3500K, 4000K, 5000K)
- Operating temperature: - 4°F - 104°F
- Compatible with LED emergency driver and motion sensor (optional for purchase)

ACCESSORIES

- Air Craft Cable
- Emergency Driver
- Microwave Motion Sensor
- Flange Mounted Kit

SAMPLE NUMBER FXTF36SW/2X2/8CCT3

FAMILY	SERIES	WATTAGE	SELECTABLE	LENGTH	CRI	COLOR TEMP
FX fixture	TF troffer	36 36 watt	SW 3 Selectable Wattage	2x2 2-ft x 2-ft	8 CRI 80	CCT3 Selectable Color Temp 3500K 4000K 5000K



ORDERING

Watts (W)	Ordering Code	Description	CCT (K)	Lumens (Lm)	Size	Equiv. Wattage (W)	Beam Angle	Damp Location	DLC (S/P)
20	9559	FXTF36SW/2X2/8CCT3	35/40/50K	2,800	2'x2'	60-70W	115°	•	S
30				4,100					
36				4,850					
30	9560	FXTF45SW/2X4/8CCT3	35/40/50K	4,350	2'x4'	120-130W	115°	•	S
40				5,700					
45				6,350					

ACCESSORIES (Ordered Separately)



Air Craft Cable
P10147 MT-ACC-4FT
(4-ft cable)

P10144 MT-ACC-10FT
(10-ft cable)



Flange Mounting Kit
P10314 MT-1X4FMBOX
(1' x 4' Flange Mount Kit)

P10228 MT-2x2FMBOX
(2' x 2' Flange Mount Kit)

P10229 MT-2x4FMBOX
(2' x 4' Flange Mount Kit)



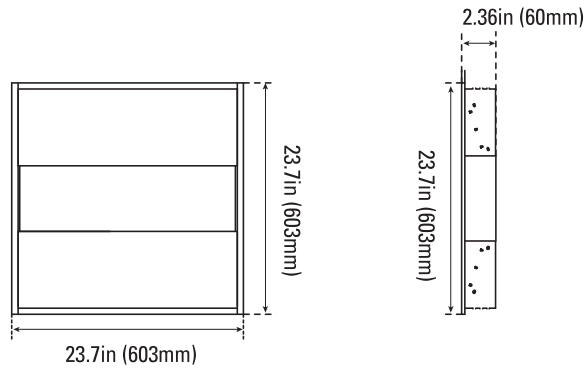
Emergency Driver Kit
K7334225 FXTF-BAEM-MT
(Emergency Driver for 100-277V with mounting plate)



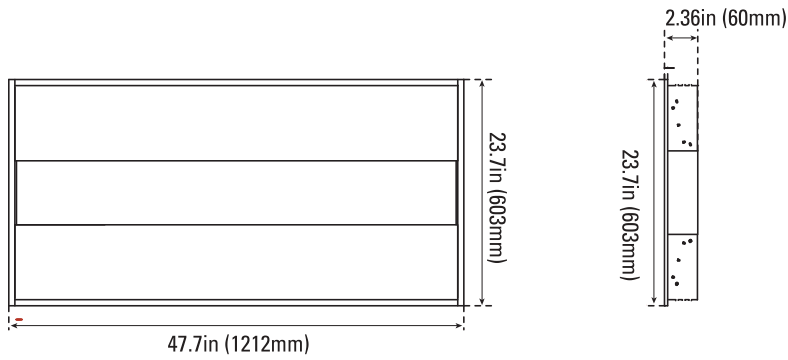
Microwave Motion Sensor Kit
K225234 PLT/FXTF/MC605
(Microwave Motion Sensor for 100-277V with mounting plate)

DIMENSIONS

2'x2' - 36 Watt
8.00-lbs

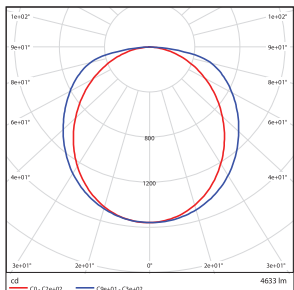


2'x4' - 45 Watt
8.00-lbs



PHOTOMETRICS CHART

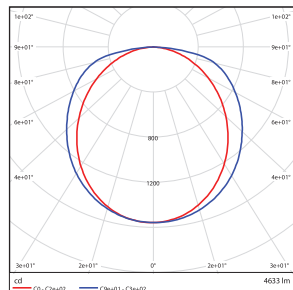
36 Watt
DLC Standard



	Illuminance at a Distance	
	Center Beam Fc	Beam Width
3.3R	143 fc	8.3 ft 13.2 ft
6.7R	34.7 fc	16.9 ft 26.8 ft
10.0R	15.6 fc	25.2 ft 40.0 ft
13.3R	8.80 fc	33.6 ft 53.1 ft
16.7R	5.58 fc	42.1 ft 66.7 ft
20.0R	3.89 fc	50.5 ft 79.9 ft

Vert. Spread: 103.2°
Horiz. Spread: 126.8°

45 Watt
DLC Standard



	Illuminance at a Distance	
	Center Beam Fc	Beam Width
3.3R	184 fc	8.7 ft 13.7 ft
6.7R	44.6 fc	17.6 ft 27.8 ft
10.0R	20.0 fc	26.3 ft 41.5 ft
13.3R	11.3 fc	35.0 ft 55.2 ft
16.7R	7.18 fc	44.0 ft 69.3 ft
20.0R	5.00 fc	52.7 ft 82.9 ft

Vert. Spread: 105.6°
Horiz. Spread: 128.5°

PACKAGE

Case Qty 1 pc

