

## TF TROFFER (CCT3)

PROJECT: \_\_\_\_\_

SCHEDULE: \_\_\_\_\_ DATE: \_\_\_\_\_

PREPARE BY: \_\_\_\_\_

NOTES: \_\_\_\_\_

### DESCRIPTION

naturaLED® Troffer is the perfect solution for your interior lighting needs. This DLC Premium Troffer is available in 2'x2' and 2'x4' dimensions for TBar/Grid ceilings. Available options include Emergency LED Driver and Microwave Motion Sensor. This is a lightweight fixture with a bug-free lens design and produces up to 6,350 lumens with excellent light distribution and color consistency.



### APPLICATIONS

Conference, Meeting Rooms, Factories, Offices, Schools, Hospitals







**Rated Life Hours 50,000**  
**Warranty 5 Years**

### FEATURES

- DLC Standard
- Damp Location
- ETL Listed
- Easy installation for retrofit replacement
- Available in 2' or 4' length
- Material: Steel and PC lens
- Input line Voltage: 120-277V
- Dimmable: 0-10V
- Power Factor: >0.9
- CRI: 80
- Surge Protection: 2KV
- Beam Angle: 115°
- Color Temp: 3CCT (3500K, 4000K, 5000K)
- Operating temperature: - 4°F - 104°F
- Optional for Purchase: Emergency Driver, Motion Sensor, Flange Mount Kit

### ACCESSORIES

-  Air Craft Cable
-  Emergency Driver
-  Microwave Motion Sensor
-  Flange Mount Kit

**SAMPLE NUMBER** FXTF36SW/2X2/8CCT3

FAMILY	SERIES	WATTAGE	SELECTABLE	LENGTH	CRI	COLOR TEMP
FX fixture	TF troffer	36 36 watt	SW 3 Selectable Wattage	2x2 2-ft x 2-ft	8 CRI 80	CCT3 Selectable Color Temp 3500K 4000K 5000K



ORDERING

\*P= Premium DLC / \*S = Standard DLC

Watts (W)	Ordering Code	Description	CCT (K)	Lumens (Lm)	Size	Equiv. Wattage (W)	Beam Angle	Damp Location	DLC (S/P)	
20	9559	FXTF36SW/2X2/8CCT3	3CCT	2,800	2'x2'	60-70W	115°	•	S	
30				(35/40/50K)						4,100
36										4,850
30	9560	FXTF45SW/2X4/8CCT3	3CCT	4,350	2'x4'	120-130W	115°	•	S	
40				(35/40/50K)						5,700
45										6,350

ACCESSORIES (Ordered Separately)



**Air Craft Cable**  
P10147 MT-ACC-4FT  
(4-ft cable)

P10144 MT-ACC-10FT  
(10-ft cable)



**Flange Mounting Kit**  
P10228 MT-2x2FMBOX  
(2' x 2' Flange Mount Kit)

P10229 MT-2x4FMBOX  
(2' x 4' Flange Mount Kit)



**Emergency Driver Kit**  
K7334225 FXTF-BAEM-MT  
(Emergency Driver for 100-277V with mounting plate)



**Microwave Motion Sensor Kit**  
K225234 PLT/FXTF/MC605  
(Microwave Motion Sensor for 100-277V with mounting plate)



**Ceiling Mount Kit (3.0" Height)**  
P10417 MT-2X2BOX-3.0in  
(2'x2' Panel Surface Mount Kit-3.0"height)



P10418 MT-2X4BOX-3.0in  
(2'x4' Panel Surface Mount Kit-3.0"height)



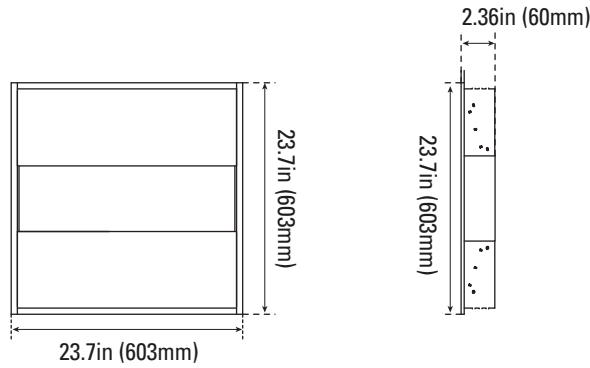
**Ceiling Mount Kit (4.5" Height)**  
P10335 MT-2X2BOX-4.5in  
(2'x2' Panel Surface Mount Kit)



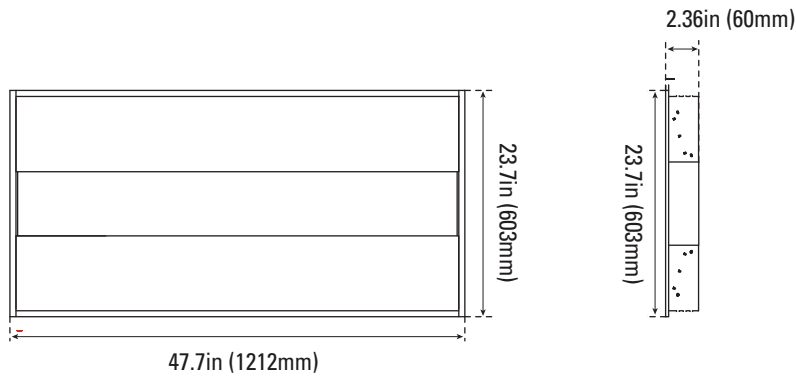
P10336 MT-2X4BOX-4.5in  
(2'x4' Panel Surface Mount Kit)

**DIMENSIONS**

**2'x2' - 36 Watt**  
8.00-lbs



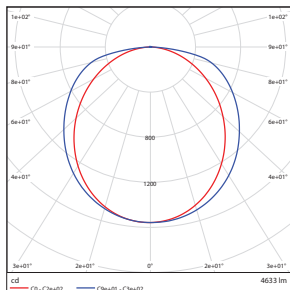
**2'x4' - 45 Watt**  
8.00-lbs



**PHOTOMETRICS CHART**

**PACKAGE**

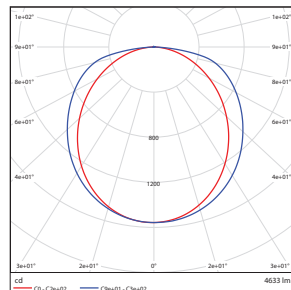
**36 Watt**  
DLC Standard



	Center Beam fc	Beam Width
3.0R	143 fc	8.3 ft 13.2 ft
6.7R	34.7 fc	16.9 ft 26.8 ft
10.0R	15.6 fc	25.2 ft 40.0 ft
13.3R	8.80 fc	33.6 ft 53.1 ft
16.7R	5.58 fc	42.1 ft 66.7 ft
20.0R	3.89 fc	50.5 ft 79.9 ft

■ Vert. Spread: 103.2°  
■ Horiz. Spread: 126.8°

**45 Watt**  
DLC Standard



	Center Beam fc	Beam Width
3.0R	184 fc	8.7 ft 13.7 ft
6.7R	44.6 fc	17.6 ft 27.8 ft
10.0R	20.0 fc	26.3 ft 41.5 ft
13.3R	11.3 fc	35.0 ft 55.2 ft
16.7R	7.18 fc	44.0 ft 69.3 ft
20.0R	5.00 fc	52.7 ft 82.9 ft

■ Vert. Spread: 105.6°  
■ Horiz. Spread: 128.5°

Case Qty 1 pc

