

PROJECT: _____

SCHEDULE: _____ **DATE:** _____

PREPARE BY: _____

NOTES: _____

TWP Traditional Wall Pack CCT3

DESCRIPTION

The naturalLED® TWP traditional wallpack features a rugged cast-aluminum housing with an advanced thermal design, ensuring durability and efficiency. As a DLC Premium qualified fixture, it offers a classic and timeless appearance, making it an ideal replacement for any building's wallpack or perimeter lighting. Its traditional shape enhances the aesthetic appeal while providing reliable illumination for outdoor spaces such as carports, loading areas, driveways, parking lots, and pathways. Designed for wall mounting at a height of at least four feet, the TWP wallpack is now available with Wattage Selectable and Color Temperature Selectable options for added flexibility. Additionally, installation is made easy with connectors that activate the photocell sensor, simplifying the setup process.

APPLICATIONS

Security, Pathway, Perimeter, Entryway, Area Lighting, and Building Facades

FEATURES

- DLC Premium
- IP65 Rated
- ETL/cETL Listed
- Wattage & Color Selectable
- Wattage: 28-60W, 60-100W, 28W~80W
- Color Temp: CCT3 (30/40/50K)
- Voltage: 120-277V, 120-347V
- Surge Protection: 4KV
- Dimmable: 0-10V
- CRI: >80
- Operating Temperature: -40°F to 122°F
- Built-In Photocell Sensor (Easy Connector to Activate)
- Lens: Borosilicate Glass Lens
- Material: Die Cast Aluminum
- Color: Bronze / White
- Optional Accessories for Purchase: Motion Sensor, Emergency Driver, Wire Guard, Replacement Lens, Shield Cover, Surge Protection
- Warranty: 5-Year Limited Warranty



Rated Life Hours 50,000
Warranty 5 Years

ACCESSORIES

	Motion Sensor
	Emergency Drivers
	Wireguard
	Replacement Lens
	Shield Cover
	Surge Protection

SAMPLE NUMBER		FXTWP60SW/CCT3BZ-PHO		
SERIES	WATTAGE	CRI/COLOR TEMP	COLOR	ACCESSORY
FXTWP Traditional Wall Pack	60SW 60 Selectable Wattage	CCT3 3CCT (3000/4000/5000K)	BZ Bronze	PHO Photocell Included



TRADITIONAL WALL PACK CCT3

WALL & AREA LUMINAIRES

ORDERING

*P= Premium DLC / *S = Standard DLC

Ordering Code	Description	Watts (W)	Lumens (Lm)	CCT (K)	Equiv. Wattage (W)	Voltage	Color	IP65 Rated	DLC (S/P)
9455	FXTWP60SW/CCT3/BZ-PHO	28	4,200	3CCT (30/40/50K)	175-400W	120-277V	Bronze	•	P
		38	5,700						
		60	9,134						
9456	FXTWP100SW/CCT3/BZ-PHO	60	9,000	3CCT (30/40/50K)	400-750W	120-277V	Bronze	•	P
		80	11,600						
		100	14,500						
9453	FXTWP28/40K/BZ-PHO	28	4,200	4000K	175W	120-277V	Bronze	•	P
9454	FXTWP28/50K/BZ-PHO	28	4,200	5000K	175W	120-277V	Bronze	•	P
9447	FXTWP38/40K/BZ-PHO	38	5,700	4000K	175-250W	120-277V	Bronze	•	P
9448	FXTWP38/50K/BZ-PHO	38	5,700	5000K	175-250W	120-277V	Bronze	•	P
9449	FXTWP60/40K/BZ-PHO	60	9,000	4000K	250-400W	120-277V	Bronze	•	P
9450	FXTWP60/50K/BZ-PHO	60	9,000	5000K	250-400W	120-277V	Bronze	•	P
9451	FXTWP80/40K/BZ-PHO	80	12,000	4000K	400-575W	120-277V	Bronze	•	P
9452	FXTWP80/50K/BZ-PHO	80	12,000	5000K	400-575W	120-277V	Bronze	•	P
9542	FXTWP80/50K/WH-PHO	80	12,000	5000K	400-575W	120-277V	White	•	P
9532	FXTWP60SW/CCT3/BZ/347-PHO	28	4,200	3CCT (30/40/50K)	175-400W	120-347V	Bronze	•	P
		38	5,700						
		60	9,134						
9533	FXTWP100SW/CCT3/BZ/347-PHO	60	9,000	3CCT (30/40/50K)	400-750W	120-347V	Bronze	•	P
		80	11,600						
		100	14,500						
9534	FXTWP38/40K/BZ/347-PHO	38	5,700	4000K	175-250W	120-347V	Bronze	•	P
9535	FXTWP38/50K/BZ/347-PHO	38	5,700	5000K	175-250W	120-347V	Bronze	•	P
9536	FXTWP60/40K/BZ/347-PHO	60	9,000	4000K	250-400W	120-347V	Bronze	•	P
9537	FXTWP60/50K/BZ/347-PHO	60	9,000	5000K	250-400W	120-347V	Bronze	•	P

ACCESSORIES

**Motion Sensor**

P10234 SEN-MC605V-D
(Microwave Motion Photocell Sensor 0-10V)

**Wireguard**

P10004 WG-TWP-MEDIUM
(Wireguard for Medium TWP
38W,60W,80W,100W,CCT3
Size: 14.30"x9.20")

**Emergency Driver**

K7336312 BAEM4-60BC/MV-A
(KIT: Emergency Driver for 28W with mounting plate)



7336 BAEM4-60BC/MV-A
(4W CEC Compliant LED Emergency Driver for 38W)



7334 BAEM15-48BC/MV-A
(15W CEC Compliant LED Emergency Driver
for 60W, 80W, 60W CCT3)



7341 BAEM20-260BC/347-A
(20W 90-260Vdc Output -CEC Compliant
LED Emergency Driver 120-347V for 100SW #9456)

**Shield**

P10402 CVR-TWP-SMALL/BZ
(Shield cover- small 28W Bronze
Size: 9.05"x9.20")

P10403 CVR-TWP-MEDIUM/BZ
(Shield cover- medium 38-100W Bronze
Size: 14.30"x9.20")

**Surge Protection**

P10389 SPD-L-10KV-277
(Surge Protection 10KV 120-277V)

P10390 SPD-L-20KV-277
(Surge Protection 20KV 120-277V)

P10391 SPD-L-20KV-480
(Surge Protection 20KV 347-480V)

Replacement Glass Lens

P10002 LENS-TWP-SMALL
(Glass Lens Gasket for 28W, Size: 9.05"x9.20")

P10000 LENS-TWP-MEDIUM
(Glass Lens Gasket for 38-100W, CCT3, Size: 14.30"x9.20")

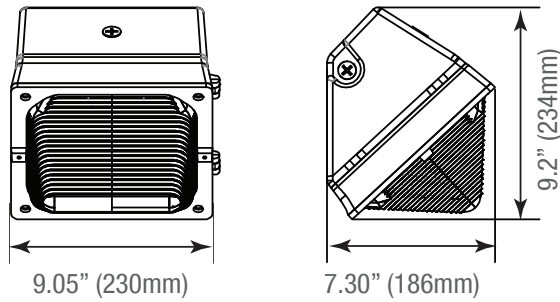
**Replacement Plastic Lens**

P10003 LENS-TWP-PC-MEDIUM
(Plastic Lens Gasket for 38-100W, CCT3, Size: 14.30"x9.20")

DIMENSIONS

28W

5.51-lbs



38W

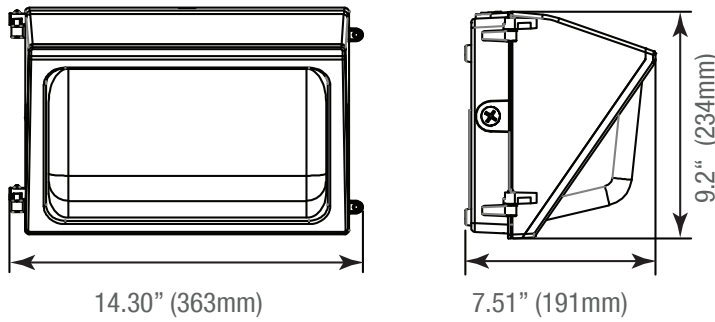
6.79-lbs

60W

6.86-lbs

60SW

6.86-lbs

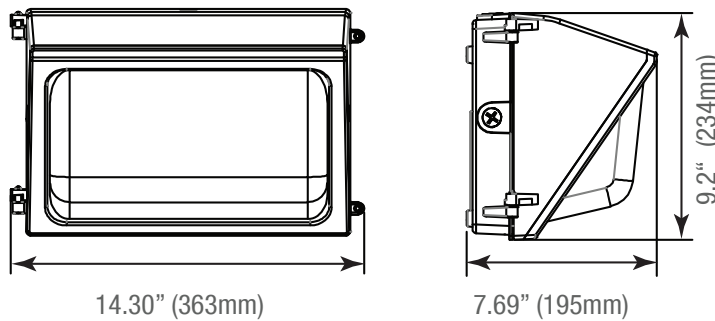


80W

8.07-lbs

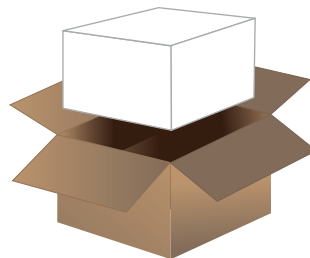
100SW

9.26-lbs



PACKAGE

	Master Carton (pc)	Dimensions (in)	Weight (lb)
28W	1	10.80"x10.80"x10.80"	6.69
38W	1	14.80"x10.60"x8.90"	8.07
60W	1	14.80"x10.60"x8.90"	8.08
80W	1	14.80"x10.60"x8.90"	8.73
60SW	1	14.80"x10.60"x8.90"	8.45
100SW	1	14.80"x10.60"x8.90"	9.91

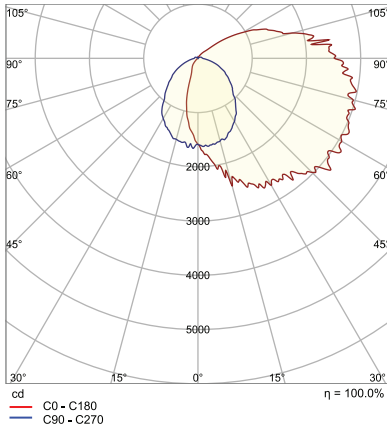


TRADITIONAL WALL PACK CCT3

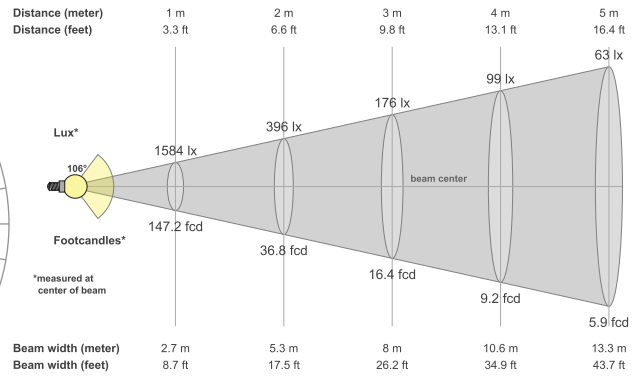
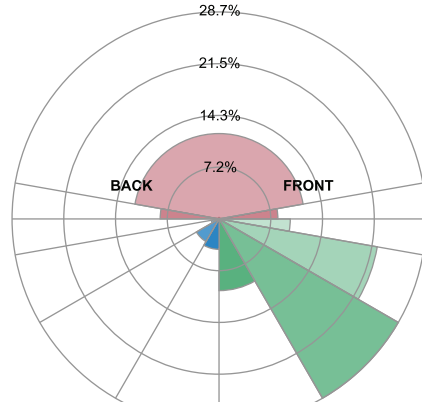
WALL & AREA LUMINAIRES

PHOTOMETRICS

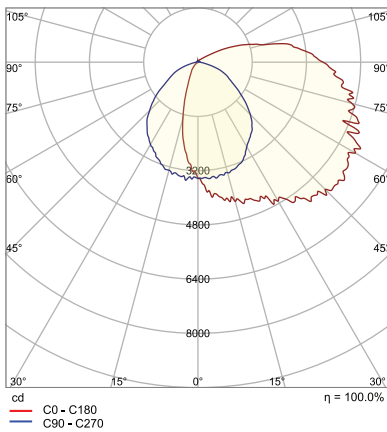
60 S/Wattage



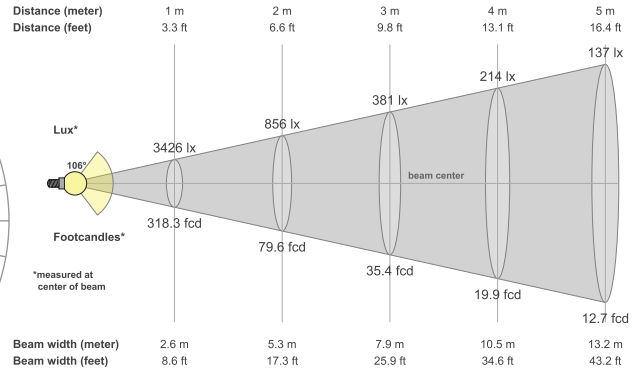
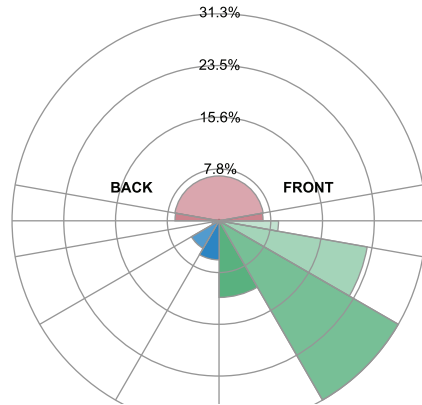
BUG rating B1 U5 G5



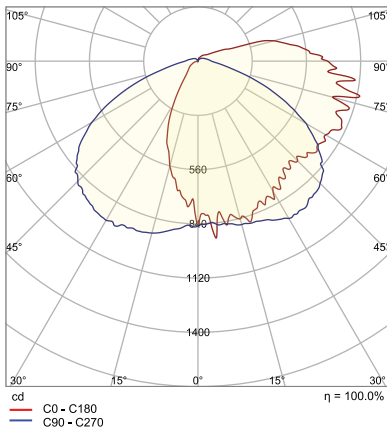
100 S/Wattage



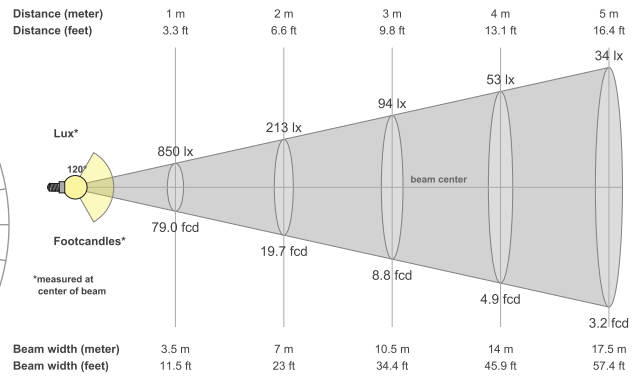
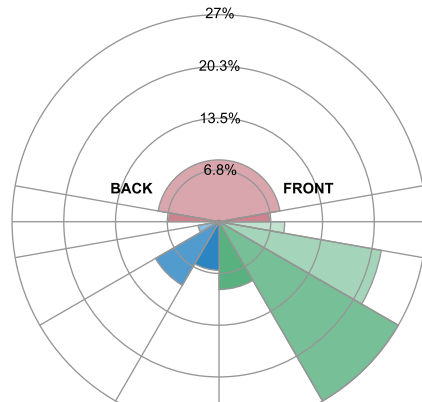
BUG rating B2 U4 G5



28 Watt



BUG rating B1 U3 G3



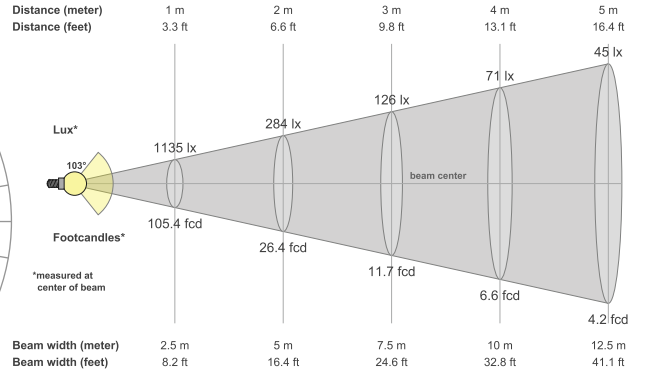
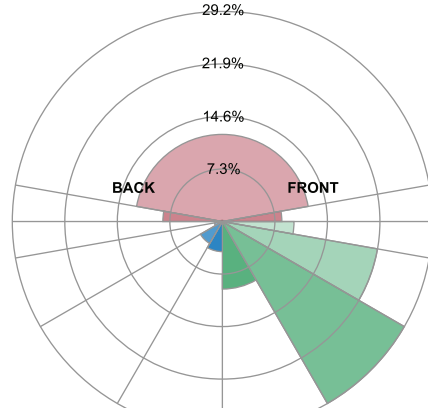
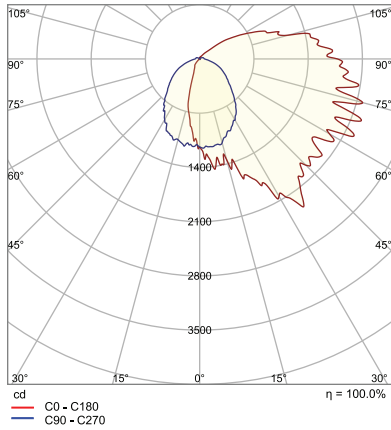
TRADITIONAL WALL PACK CCT3

WALL & AREA LUMINAIRES

PHOTOMETRICS

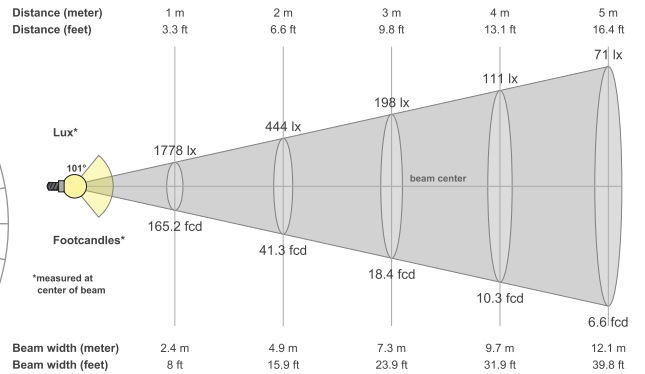
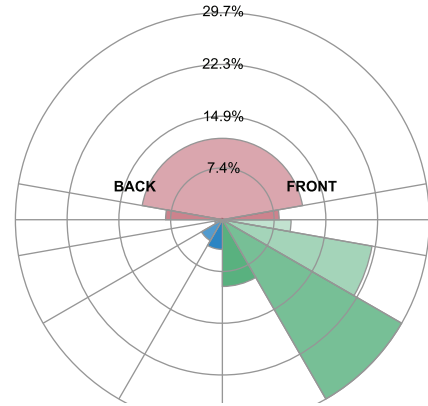
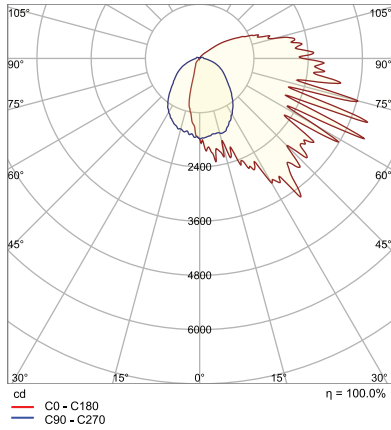
38 Watt

BUG rating B1 U4 G4



60 Watt

BUG rating B1 U5 G5



80 Watt

BUG rating B3 U4 G4

