

PROJECT NAME: _____ CAT. #: _____
 NOTES: _____ FIXTURE SCHEDULE: _____

T8 Wiring Harness

Retrofit Accessories



G13KIT1T



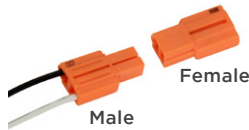
G13KIT2T



G13KIT3T



G13KIT4T



Product Description:

MaxLite T8 wiring harness is the ideal solution for retrofitting fluorescent T8 lamps with Type-B single-ended LED T8. Each kit comes with pre-wired non-shunted G13 lampholders and a power quick connector to help reduce installation time and cost.

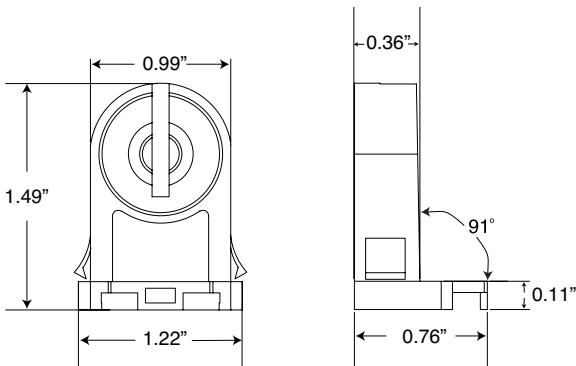
Features:

- Non-shunted G13 lamp holders pre-wired for fast and easy installation
- Easily connect to AC power with quick connector
- UL recognized components
- Available in 1-lamp, 2-lamp, 3-lamp and 4-lamp configurations, extra sockets included in kit
- Lampholder Ratings: 120W, 600V
- Extra socket(s) provided with kit

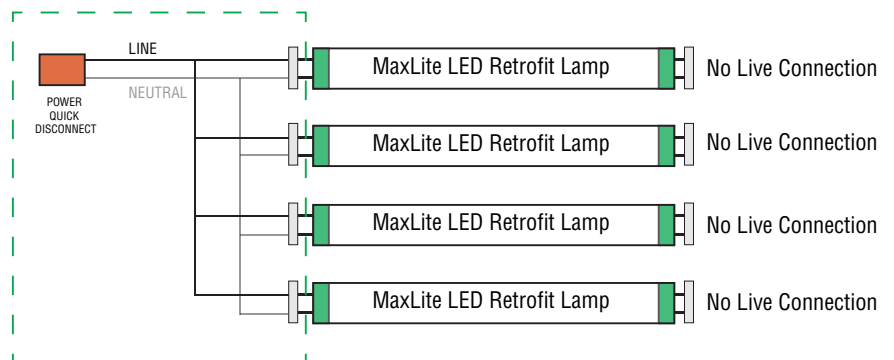
Ordering information:

ORDER CODE	MODEL NUMBER	DESCRIPTION
112901	G13KIT1T	1-Lamp Wiring Harness for LED T8 Single-End Powered, Ballast Bypass Lamps, Wire Length 23 inches
112902	G13KIT2T	2-Lamp Wiring Harness for LED T8 Single-End Powered, Ballast Bypass Lamps, Wire Length 23 inches
112903	G13KIT3T	3-Lamp Wiring Harness for LED T8 Single-End Powered, Ballast Bypass Lamps, Wire Length 23 inches
112904	G13KIT4T	4-Lamp Wiring Harness for LED T8 Single-End Powered, Ballast Bypass Lamps, Wire Length 23 inches

Dimensions:



Wiring Diagrams:



--- WIRING HARNESS CONTENTS

Notes:

1. Not suitable for double-ended LED T8 tubes and external LED T8 tubes