



lighting facts
A Program of the U.S. DOE



RoHS
Compliant



5 YEAR
WARRANTY

TRUEFIT™ LED TUBE

www.trulygreensolutions.com





The Most Versatile LED Tube



3 LENGTHS
AVAILABLE IN
15W AND 18W



EXPECTED LIFE
OVER 50,000 HRS



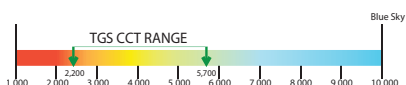
IES FILES @
www.trulygreensolutions.com



SUITABLE FOR
DAMP LOCATIONS



GLARE FREE
PC LENS



SELECTION OF
COLOR RANGES

- Type A : Ballast Compatible
- Type B : Bypass Ballast
- Type A/B : Ballast Compatible or Bypass Ballast
- Type C : External Power



EASY INSTALLATION



Application



Parking Garage



Mall



Storage Facility



Not all products are qualified on the DLC QPL. To view our DLC qualified products, please consult the DLC Qualified Products List at www.designlights.org/qpl.





TRUEFIT™ LED TUBE (TYPE A/B)

3' 15W SPECIFICATIONS



	Bare Lamp	Low Ballast Factor (0.78)	Normal Ballast Factor (0.88)	High Ballast Factor (1.10)
Wattage	15W	14.2	16.5	17.8
Lumen	1800	1650	1860	1950

Replaces 3'T8
Fluorescent Tubes

Optical Details

System Efficacy	120 LpW (Without Ballast)
Lumen Output	1,800 lm
CCT	3000K, 3500K, 4000K, 5000K
Beam Angle	180°
CRI	>80
System Efficiency	N/A

Electrical Details

Input Voltage	100-277V AC (347V Available)
Power Frequency	50-60 Hz
Output Voltage	50-80V
Output Current	200mA
Power Efficiency	N/A
Power Factor	>0.99
Total Harmonic Distortion	<20%
Dimmable	No

Other Details

System Power Usage	15W
LED Power Usage	N/A
Fixture Material	Aluminum Base and PC Housing
Finish	N/A
Ingress Protection	Suitable For Damp Locations
Luminaire Net Weight	0.595 lbs (270g)
Lifespan	50,000+ Hours
Storage Temperature	-4°~122°F
Operating Temperature	-4°~104°F
Operating Humidity	N/A
Product Dimension	35.71x1.02 in (pin to pin)
Replaces	T8 Fluorescent

Application

• Offices	• Hospitals
• Industrial Shops	• Hotels
• Schools	• High / Low Bay
• Commercial Buildings	• Troffers / Strips

Pin Type

• G13 Pin (Bi-pin)

Highlights

The TGS TrueFit™ LED T8 lamp offers an easy and safe energy-saving retrofit solution for fluorescent tube lamps, with over 120 lumens per watt. The TrueFit™ lamp provides universal operating options: plug and play with instant-start electronic ballasts, or bypass the existing ballast to run directly off line voltage.

The Truefit™ LED T8 lamp provides instant energy savings and superior quality uniform, flicker-free lighting in a complete package. It uses about half the energy as T8 fluorescent lamps, with up to 70% reduction of overall operating costs. The UL, cUL, and RoHS certified lamps are available in 2', 3' and 4' lengths, in 2 different wattages (15W and 18W), with the form, fit, and function of traditional T8 fluorescent lamps. The TrueFit™ lamp is constructed with a polycarbonate optical diffuser, which provides a wide beam angle of 180° for comprehensive spatial illumination.

Featuring a unique advanced heat sink technology that ensures maximum thermal management, the Truefit™ is backed by a 5 year/50,000 hour warranty for a long life of maintenance-free service. Available CCT's are 3000K, 3500K, 4000K and 5000K.

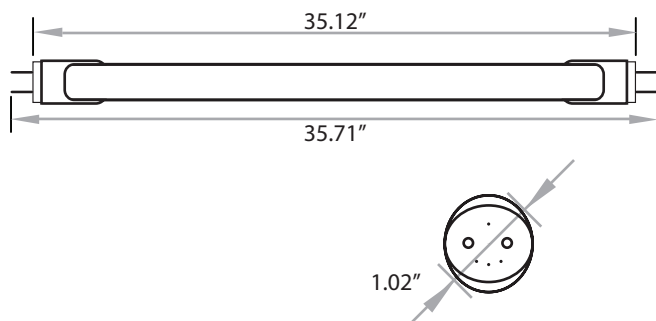
Product Dimensions

Length: 35.71 in (907mm) [Pin to Pin]

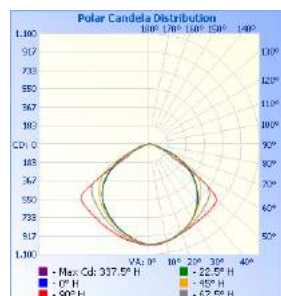
Weight: 0.595 lbs (270g)

Length: 35.12 in (892mm) [Cap to Cap]

Diameter: 1.02in (26mm)



Photometrics



Center Beam fc	Illuminance at a Distance	
	Center Beam fc	Beam Width
17.0ft	3.47 fc	48.2 ft 52.7 ft
34.0ft	0.87 fc	96.4 ft 105.4 ft
51.0ft	0.39 fc	144.7 ft 158.1 ft
68.0ft	0.22 fc	192.9 ft 210.8 ft
85.0ft	0.14 fc	241.1 ft 263.4 ft
102.0ft	0.10 fc	289.3 ft 316.1 ft

■ Vert. Spread: 109.6°
■ Horiz. Spread: 114.3°

180°



Ballast Compatibility List

GE:

1. GE-132MAX-L/ULTRA INSTANT START BALLAST
2. GE-232MAX-L/ULTRA INSTANT START BALLAST
3. GE-332MAX-L/ULTRA INSTANT START BALLAST
4. GE-432MAX-L/ULTRA INSTANT START BALLAST
5. GE-132MAX-N/ULTRA INSTANT START BALLAST
6. GE-232MAX-N/ULTRA INSTANT START BALLAST
7. GE-332MAX-N/ULTRA INSTANT START BALLAST
8. GE-432MAX-N/ULTRA INSTANT START BALLAST
9. GE-132MAX-H/ULTRA INSTANT START BALLAST
10. GE-232MAX-H/ULTRA INSTANT START BALLAST
11. GE-332MAX-H/ULTRA INSTANT START BALLAST
12. GE-432MAX-H/ULTRA INSTANT START BALLAST
13. GE-132MAX-347-L INSTANT START BALLAST
14. GE-232MAX-347-L INSTANT START BALLAST
15. GE-332MAX-347-L INSTANT START BALLAST
16. GE-432MAX-347-L INSTANT START BALLAST
17. GE-132MAX-347-N INSTANT START BALLAST
18. GE-232MAX-347-N INSTANT START BALLAST
19. GE-332MAX-347-N INSTANT START BALLAST
20. GE-432MAX-347-N INSTANT START BALLAST
21. GE-132MAX-347-H INSTANT START BALLAST
22. GE-232MAX-347-H INSTANT START BALLAST
23. GE-332MAX-347-H INSTANT START BALLAST
24. GE-432MAX-347-H INSTANT START BALLAST
25. GE-132MAX-H-42T INSTANT START BALLAST
26. GE-232MAX-H-42T INSTANT START BALLAST
27. GE-332MAX-H-42T INSTANT START BALLAST
28. GE-432MAX-H-42T INSTANT START BALLAST
29. GE-132MAX-G-N-DIYB INSTANT START BALLAST
30. GE-232MAX-G-N-DIYB INSTANT START BALLAST
31. GE-332MAX-G-N-DIYB INSTANT START BALLAST
32. GE-432MAX-G-N-DIYB INSTANT START BALLAST
33. GE-132-120RESDIYB INSTANT START BALLAST
34. GE-232-120RESDIYB INSTANT START BALLAST
35. GE-332-120RESDIYB INSTANT START BALLAST
36. GE-432-120RESDIYB INSTANT START BALLAST
37. GE240RES120-DIYB RAPID START BALLAST
38. GE240RSMVN-DIYB RAPID START BALLAST
39. GE-132-120RES-DIY INSTANT START BALLAST
40. GE-232-120RES-DIY INSTANT START BALLAST
41. GE-332-120RES-DIY INSTANT START BALLAST
42. GE-432-120RES-DIY INSTANT START BALLAST
43. GE240RS120-DIY RAPID START BALLAST
44. GEM220TS120/2-DIY RAPID START BALLAST
45. GE-132MV-N-DIY INSTANT START BALLAST
46. GE-232MV-N-DIY INSTANT START BALLAST
47. GE-332MV-N-DIY INSTANT START BALLAST
48. GE-432MV-N-DIY INSTANT START BALLAST
49. GE-259MV-N-DIY INSTANT START BALLAST
50. GE-232-MVPS-N RAPID START BALLAST
51. GE-132-MV-N INSTANT START BALLAST
52. GE-232-MV-N INSTANT START BALLAST
53. GE-332-MV-N INSTANT START BALLAST
54. GE-432-MV-N INSTANT START BALLAST
55. GEM1FC16T9RS120/2 RAPID START BALLAST
56. MAGNETEK-200-H2 PREHEAT START BALLAST
57. GE-232MAXP-L/ULTRA INSTANT START BALLAST
58. GEM120TC120/2-DIY RAPID START BALLAST
59. GE-240-RS-MV-N-DIY RAPID START BALLAST
60. GE260IS-MV-N INSTANT START BALLAST
61. 446-LR-TC-P MAGNETIC RAPID START BALLAST

PHILIPS:

62. ICN-2528 PROGRAM START BALLAST

63. ICN-2528-N PROGRAM START BALLAST
64. ICN-2M32-MC INSTANT START BALLAST
65. ICN-1P32-N INSTANT START BALLAST
66. ICN-2P32-N INSTANT START BALLAST
67. ICN-3P32-N INSTANT START BALLAST
68. ICN-4P32-N INSTANT START BALLAST
69. ICN-1540-N RAPID START BALLAST
70. ICN-2540-N RAPID START BALLAST
71. ICN-3540-N RAPID START BALLAST
72. ICN-4540-N RAPID START BALLAST
73. REB-1P32-SC INSTANT START BALLAST
74. REB-2P32-SC INSTANT START BALLAST
75. REB-3P32-SC INSTANT START BALLAST
76. REB-4P32-SC INSTANT START BALLAST
77. RELB-1540-N RAPID START BALLAST
78. RELB-2540-N RAPID START BALLAST
79. RELB-3540-N RAPID START BALLAST
80. RELB-4540-N RAPID START BALLAST
81. IOP-1PSP32-SC PROGRAM START BALLAST
82. IOP-2PSP32-SC PROGRAM START BALLAST
83. IOP-3PSP32-SC PROGRAM START BALLAST
84. IOP-4PSP32-SC PROGRAM START BALLAST
85. IOP-1PSP32-HL-SC PROGRAM START BALLAST
86. IOP-2PSP32-HL-SC PROGRAM START BALLAST
87. IOP-3PSP32-HL-SC PROGRAM START BALLAST
88. IOP-4PSP32-HL-SC PROGRAM START BALLAST
89. IOP-1PSP32-LW-N PROGRAM START BALLAST
90. IOP-2PSP32-LW-N PROGRAM START BALLAST
91. IOP-3PSP32-LW-N PROGRAM START BALLAST
92. IOP-4PSP32-LW-N PROGRAM START BALLAST
93. IOP-2P32-N INSTANT START BALLAST
94. IOPA-1P32-N INSTANT START BALLAST
95. IOPA-2P32-N INSTANT START BALLAST
96. IOPA-3P32-N INSTANT START BALLAST
97. IOPA-4P32-N INSTANT START BALLAST
98. IOPA-1P32-LM-N INSTANT START BALLAST
99. IOPA-2P32-LM-N INSTANT START BALLAST
100. IOPA-3P32-LM-N INSTANT START BALLAST
101. IOPA-4P32-LM-N INSTANT START BALLAST
102. GOPA-1P32-SC INSTANT START BALLAST
103. GOPA-2P32-SC INSTANT START BALLAST
104. GOPA-3P32-SC INSTANT START BALLAST
105. GOPA-4P32-SC INSTANT START BALLAST
106. RLQS-122-TP-W RAPID START BALLAST
107. RLQ-120-TP RAPID START BALLAST

SYLVANIA:

108. QHE1x32T8/UNV ISL-SC INSTANT START BALLAST
109. QHE2x32T8/UNV ISL-SC INSTANT START BALLAST
110. QHE3x32T8/UNV ISL-SC INSTANT START BALLAST
111. QHE4x32T8/UNV ISL-SC INSTANT START BALLAST
112. QHE1x32T8/UNV ISN-SC INSTANT START BALLAST
113. QHE2x32T8/UNV ISN-SC INSTANT START BALLAST
114. QHE3x32T8/UNV ISN-SC INSTANT START BALLAST
115. QHE4x32T8/UNV ISN-SC INSTANT START BALLAST
116. QHE1x32T8/UNV ISH-SC INSTANT START BALLAST

117. QHE2x32T8/UNV ISH-SC INSTANT START BALLAST
118. QHE3x32T8/UNV ISH-SC INSTANT START BALLAST
119. QHE4x32T8/UNV ISH-SC INSTANT START BALLAST
120. QHE1x32T8/UNV ISL-SC-1 INSTANT START BALLAST
121. QHE2x32T8/UNV ISL-SC-1 INSTANT START BALLAST
122. QHE3x32T8/UNV ISL-SC-1 INSTANT START BALLAST
123. QHE4x32T8/UNV ISL-SC-1 INSTANT START BALLAST
124. QHE1x32T8/UNV ISN-SC-1 INSTANT START BALLAST
125. QHE2x32T8/UNV ISN-SC-1 INSTANT START BALLAST
126. QHE3x32T8/UNV ISN-SC-1 INSTANT START BALLAST
127. QHE4x32T8/UNV ISN-SC-1 INSTANT START BALLAST
128. QHE1x32T8/UNV ISH-SC-1 INSTANT START BALLAST
129. QHE2x32T8/UNV ISH-SC-1 INSTANT START BALLAST
130. QHE3x32T8/UNV ISH-SC-1 INSTANT START BALLAST
131. QHE4x32T8/UNV ISH-SC-1 INSTANT START BALLAST
132. QTP1x32T8/UNV PSN-SC PROGRAM START BALLAST
133. QTP2x32T8/UNV PSN-SC PROGRAM START BALLAST
134. QTP3x32T8/UNV PSN-SC PROGRAM START BALLAST
135. QTP4x32T8/UNV PSN-SC PROGRAM START BALLAST
136. QHE1x32T8/UNV PSN-MC PROGRAM START BALLAST
137. QHE2x32T8/UNV PSN-MC PROGRAM RAPID START BALLAST
138. QHE3x32T8/UNV PSN-MC PROGRAM RAPID START BALLAST
139. QHE4x32T8/UNV PSN-MC PROGRAM RAPID START BALLAST
140. QHE1x32T8/347 ISL-SC INSTANT START BALLAST
141. QHE2x32T8/347 ISL-SC INSTANT START BALLAST
142. QHE3x32T8/347 ISL-SC INSTANT START BALLAST
143. QHE4x32T8/347 ISL-SC INSTANT START BALLAST
144. QHE1x32T8/347 ISN-SC INSTANT START BALLAST
145. QHE2x32T8/347 ISN-SC INSTANT START BALLAST
146. QHE3x32T8/347 ISN-SC INSTANT START BALLAST
147. QHE4x32T8/347 ISN-SC INSTANT START BALLAST
148. QHE1x32T8/347 ISH-SC INSTANT START BALLAST
149. QHE2x32T8/347 ISH-SC INSTANT START BALLAST
150. QHE3x32T8/347 ISH-SC INSTANT START BALLAST
151. QHE4x32T8/347 ISH-SC INSTANT START BALLAST
152. QTP1x32T8/UNV ISL-SC INSTANT START BALLAST
153. QTP2x32T8/UNV ISL-SC INSTANT START BALLAST
154. QTP3x32T8/UNV ISL-SC INSTANT START BALLAST
155. QTP4x32T8/UNV ISL-SC INSTANT START BALLAST
156. QTP1x32T8/UNV ISN-SC INSTANT START BALLAST
157. QTP2x32T8/UNV ISN-SC INSTANT START BALLAST
158. QTP3x32T8/UNV ISN-SC INSTANT START BALLAST
159. QTP4x32T8/UNV ISN-SC INSTANT START BALLAST
160. QTP1x32T8/UNV ISH-SC INSTANT START BALLAST
161. QTP2x32T8/UNV ISH-SC INSTANT START BALLAST
162. QTP3x32T8/UNV ISH-SC INSTANT START BALLAST
163. QTP4x32T8/UNV ISH-SC INSTANT START BALLAST
164. QHE1x59T8/UNV ISL-SC INSTANT START BALLAST
165. QHE2x59T8/UNV ISL-SC INSTANT START BALLAST
166. QHE3x59T8/UNV ISL-SC INSTANT START BALLAST
167. QHE4x59T8/UNV ISL-SC INSTANT START BALLAST
168. QHE1x59T8/UNV ISN-SC INSTANT START BALLAST
169. QHE2x59T8/UNV ISN-SC INSTANT START BALLAST
170. QHE3x59T8/UNV ISN-SC INSTANT START BALLAST
171. QHE4x59T8/UNV ISN-SC INSTANT START BALLAST
172. QHE1x59T8/UNV ISH-SC INSTANT START BALLAST
173. QHE2x59T8/UNV ISH-SC INSTANT START BALLAST
174. QHE3x59T8/UNV ISH-SC INSTANT START BALLAST
175. QHE4x59T8/UNV ISH-SC INSTANT START BALLAST

SUNPARK:

176. U-1/32PSE RAPID START BALLAST
177. U-2/32PSE RAPID START BALLAST

178. U-3/32PSE RAPID START BALLAST
179. U-1/32ISE INSTANT START BALLAST
180. U-2/32ISE INSTANT START BALLAST
181. U-3/32ISE INSTANT START BALLAST
182. U-1/32ISE-HBF INSTANT START BALLAST
183. U-2/32ISE-HBF INSTANT START BALLAST
184. U-1/32ISE-LBF INSTANT START BALLAST
185. U-2/32ISE-LBF INSTANT START BALLAST
186. 5L15T RAPID START BALLAST
187. U-132P53-HBF PROGRAM START BALLAST
188. U-232P53 PROGRAM START BALLAST

ROBERTSON:

189. ISU232T8120 INSTANT START BALLAST
190. RN320P RAPID START BALLAST
191. 5S2P PREHEAT SELF START BALLAST
192. HPS1P PREHEAT START BALLAST
193. L15A SIMPLE REACTANCE BALLAST
194. SP258 SIMPLE REACTANCE BALLAST
195. O1527P SIMPLE REACTANCE BALLAST
196. PSA124T5MV PROGRAM START BALLAST

STERIL-AIRE:

197. 10000175 RAPID START BALLAST

TRIAD:

198. B232IUNVEL-A INSTANT START BALLAST
199. B232IUNVHP-B INSTANT START BALLAST
200. B232IUNVHP-N INSTANT START BALLAST
201. B2345R120M-A RAPID START BALLAST

HI:

202. EPH2/32IS/MV/MC/HE INSTANT START BALLAST
203. E2/40RS-120MC RAPID START BALLAST

KEYSTONE:

204. KTEB-2C72-1-TP RAPID START BALLAST
205. KTEB-220-1-TP-EMI/C RAPID START BALLAST
206. 240TPES RAPID START BALLAST

ESPEN:

207. VE232MVHIPLE INSTANT START BALLAST
208. VE259120HIP INSTANT START BALLAST

PROLUME:

209. EP232IS/L/MV/SL INSTANT START BALLAST

RADIONIC:

210. E232H12 INSTANT START BALLAST

WORKHORSE:

211. WH3-120-L INSTANT START BALLAST
212. WHCG2-120-T8 INSTANT START BALLAST

SUPERIOR LIFE:

213. 70201 INSTANT START BALLAST

PRO STANDARD:

214. GI22540-TP RAPID START BALLAST

EXAMPLE NUMBER: 834115-40-B-F

83	Length	Wattage	CCT	B	F	Input Power
TrueFit™ LED Tube	20 - 2' Clear	15 - 15W	50 - 5000K	B	C - Clear	100-277V (Standard)
	21 - 2' Frosted	18 - 18W	40 - 4000K			
	30 - 3' Clear		35 - 3500K			
	31 - 3' Frosted		30 - 3000K			
	40 - 4' Clear					
	41 - 4' Frosted					

* Note: 15W Available in 2', 3', and 4'
18W Available in 4'

Ordering Information

