

Tetra® LED Systems Power Supply

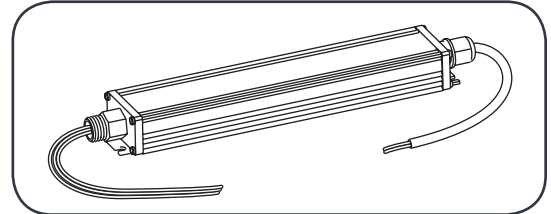
EN Instruction Guide

24
Volt

GEPS24W-80M (100-240 VAC input / 24 VDC output / 80W)

Power Supply Features

- Supports all 24 VDC Tetra Products
- IP66
- SELV Compliant
- 100-240 VAC Input
- M20 Thread



BEFORE YOU BEGIN

Read these instructions completely and carefully.

BG Българската версия на инструкциите за инсталация и информация за безопасност могат да бъдат намерени на следния адрес: <https://products.currentbyge.com/eu>

CS Návod k montáži a bezpečnostní informace v češtině najdete zde: <https://products.currentbyge.com/eu>

DA Den danske version af installationsvejledningen og sikkerhedsoplysninger kan findes på følgende placering: <https://products.currentbyge.com/eu>

DE Die deutsche Version der Installationsanleitung und Sicherheitsinformationen finden Sie in folgendem Verzeichnis: <https://products.currentbyge.com/eu>

EL Μπορείτε να βρείτε την ελληνική εκδοχή των οδηγιών εγκατάστασης και των πληροφοριών ασφάλειας στην εξής τοποθεσία: <https://products.currentbyge.com/eu>

ES La versión española de las instrucciones de instalación y la información sobre seguridad puede encontrarse en la siguiente ubicación: <https://products.currentbyge.com/eu>

ET Eestikeelse paigaldusjuhendi ja ohutusnõuded leiate aadressilt: <https://products.currentbyge.com/eu>

FI Asennusohjeiden ja turvallisuustietojen suomenkielinen versio löytyy seuraavasta paikasta: <https://products.currentbyge.com/eu>

FR La version française des instructions d'installations et information de sécurité est disponible à l'adresse suivante: <https://products.currentbyge.com/eu>

HR Hrvatska verzija priručnika za ugradnju i sigurnosnih informacija nalazi se na sljedećoj lokaciji: <https://products.currentbyge.com/eu>

HU A telepítési útmutató és a biztonság információk magyar nyelvű változata az alábbi címen található: <https://products.currentbyge.com/eu>

IT La versione italiana del manuale di installazione e sicurezza può essere reperita nella seguente sezione: <https://products.currentbyge.com/eu>

LT Lietuvišką diegimo instrukcijos ir saugos informacijos versiją galima rasti šioje vietoje: <https://products.currentbyge.com/eu>

LV Uzstādīšanas instrukciju un drošības informāciju latviešu valodā var atrast šeit: <https://products.currentbyge.com/eu>

NL De Nederlandse versie van de installatie-instructies en veiligheidsinformatie kan op de volgende locatie worden gevonden: <https://products.currentbyge.com/eu>

PL Polską wersję instrukcji instalacji oraz informacje dotyczące bezpieczeństwa można znaleźć w następującej lokalizacji: <https://products.currentbyge.com/eu>

PT A versão em Português das instruções de instalação e das informações de segurança pode ser encontrada na seguinte localização: <https://products.currentbyge.com/eu>

RO Versiunea în limba română a instrucțiunilor de instalare și a informațiilor de siguranță pot fi găsite la: <https://products.currentbyge.com/eu>

SV Ni hittar den svenska versionen av installationsanvisningarna och säkerhetsinformationen på följande plats: <https://products.currentbyge.com/eu>

SL Previdnostna opozorila in varnostne informacije so na zadnji strani vodnika za namestitve. Pred začetkom namestitve izdelka jih skrbno preberite: <https://products.currentbyge.com/eu>

SK Slovenskú verziu montážnej príručky a bezpečnostných instrukcií nájdete na nasledujúcej lokalite: <https://products.currentbyge.com/eu>

For the latest North American install guides for your product go to: <https://products.currentbyge.com/led-signage-lighting>

For the latest European install guides for your product go to: <https://products.currentbyge.com/eu>

Save These Instructions

Use only in the manner intended by the manufacturer.
If you have any questions, contact the manufacturer.

current
powered by GE



⚠ WARNING/AVERTISSEMENT

RISK OF ELECTRIC SHOCK

- Disconnect power at fuse box or circuit breaker before servicing or installing product.
- Properly ground Tetro® power supply.

RISK OF FIRE

- Use only approved wire for input/output connection. Minimum size 18 AWG (0.82 mm²).
- Follow all local codes.
- Application considerations potentially requiring additional spacing include high ambient temperature seen by the power supply, poor contact with a heat dissipating material, inadequate ventilation, or direct exposure to sun.

RISQUES DE DÉCHARGES ÉLECTRIQUES

- Coupez l'alimentation électrique à la boîte de fusibles ou au disjoncteur avant l'entretien ou l'installation du produit.
- Assurez-vous de correctement mettre à terre le bloc d'alimentation Tetro®.

RISQUES D'INCENDIE

- N'utilisez que des fils approuvés pour les entrées/sorties de connexion. Taille minimum 18 AWG (0.82 mm²).
- Respectez tous les codes locaux.
- Certaines applications pourraient requérir un espacement additionnel, p. ex. une température ambiante élevée autour du bloc d'alimentation, un mauvais contact avec une matière dissipatrice de chaleur, une ventilation inadéquate ou une exposition directe au soleil.

⚠ CAUTION/ATTENTION

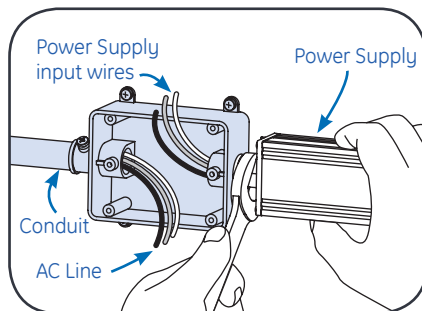
RISK OF INJURY

- While performing installations described, gloves, safety glasses or goggles should be worn.

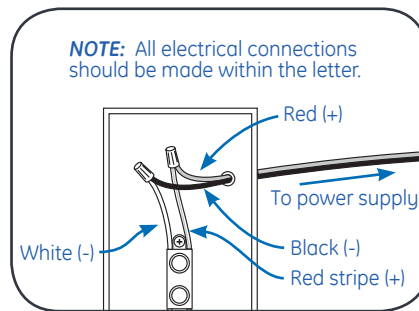
RISQUES DE BLESSURE

- Lors de l'exécution des installations décrites, des gants, des lunettes de sécurité ou des lunettes de protection doivent être portées.

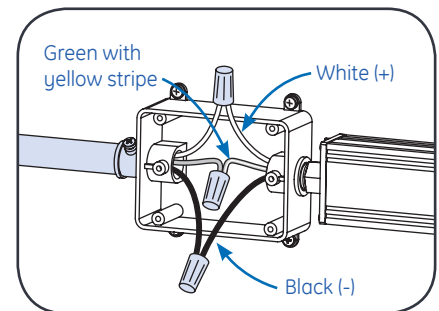
Power Supply Installation



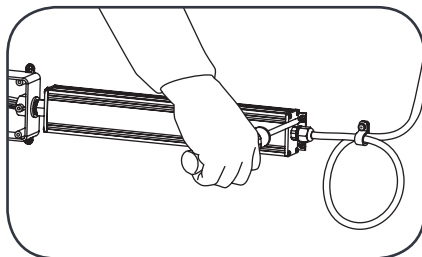
- 1 Run AC line through conduit and attach conduit to outdoor-rated/UL approved enclosure. Attach power supply to enclosure.



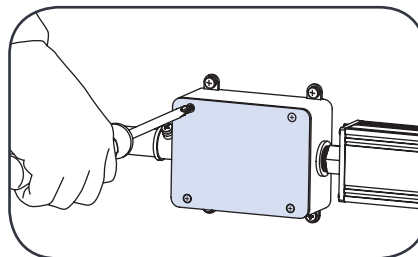
- 2 Connect the red stripe wire (+) of the LED strip to the red wire (+) of the power supply. Connect the white wire (-) of the LED strip to the black wire (-) of the power supply.



- 3 Connect the AC line to the black (line) and white (neutral) input wires of the power supply using 18-14 AWG (0.82-2.08 mm²) twist-on wire connectors. Properly ground (green wire with yellow stripe) power supply in accordance with National Electric Code (NEC) Article 600.



- 4 Mount Power Supply in a horizontal orientation with a minimum of one screw per mounting plate (two screws per power supply) with the base in contact with the mounting surface in accordance with the power supply spacing requirements described above.



- 5 Tighten liquid-tight fittings and properly replace cover on junction box to ensure a water-tight seal. If not protected from the weather, the output connections may be sealed with electrical grade silicone.

NOTE: To avoid overloading this power supply with LED modules, please refer to the specific module loading guides.

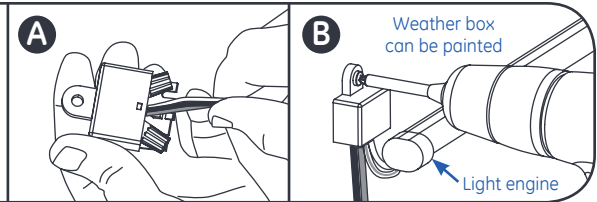
NOTE: Exceeding maximum load per bank will cause the power supply to shut down. Once the excess load is removed, cycle the input power to restart the power supply.

OPTIONAL

A Weather Box (GEXNWB2) may be used to house and seal Class 2 connections.

A) Insert wire connectors into weather box. Fill with electrical grade silicone and close box.

B) Secure the weather box using a #6 or #8 (M2 or M3) screw.



Power Supply Specifications

Performance Data	Min	Typical	Max
Input Voltage (VAC)	90	100-240	264
Input Frequency (Hz)	-	50/60	-
Input Current (A)	-	-	-
THD	-	-	20
PF	0.9	-	-
Output Voltage (VDC)	23.0	24.3	25.6
Output Current (ADC)	-	-	3.3
Output Power (W)	-	-	80
Environmental Operating Temperature Range	-40°C	+25°C	+60°C*
Environmental Humidity (non-condensing)	0%	-	95%
Environmental Storage Temperature Range	-40°C	-	+85°C
Environmental Rating	IP66 Rated		
Dimensions	12 in. x 2 in. x 1.25 in. (307 mm x 52 mm x 32 mm)		

*Maximum case temperature is 80°C

Troubleshooting

Symptom	Solution
All letters are OFF	<ul style="list-style-type: none">• Recycle AC power, turn it off, then turn on again.• If still off, check the power supply DC output voltage using a voltmeter. It should be nominally 24V.<ul style="list-style-type: none">» If there is DC output, inspect and correct all DC wire damage/polarity issues; If no issue is found, replace the OFF-module string.» If there is no DC output, have a licensed electrician check the input AC voltage and if there is correct AC voltage, replace the power supply.» If there is no AC voltage, correct the upstream AC issue.
Some LEDs appear dim	<ul style="list-style-type: none">• Ensure the overall length of the Tetra® LED System does not exceed the maximum load.• Ensure the length of supply wire is equal to or below the recommended remote mounting distance.
Some of the letters are not illuminated	<ul style="list-style-type: none">• Inspect and correct the wires of the non-illuminated letters for damage/polarity issues; If no issues are found, see the troubleshooting solution for "All letters are OFF."
Shadows	<ul style="list-style-type: none">• Re-route supply wire and secure to the back of the can with electrical grade RTV silicone. Adjust wire connector orientation so that it does not cover any LEDs.• Adjust LED layout to ensure uniformity of illumination of the face of the letter.

This product is intended to be used as a lamp control gear that is installed after the mains control switch.

Conforms to the following standards:



current
powered by GE

All trademarks are the property of their respective owners. Information provided is subject to change without notice. All values are design or typical values when measured under laboratory conditions. Current, powered by GE is a business of the General Electric Company.
© 2019 GE.

