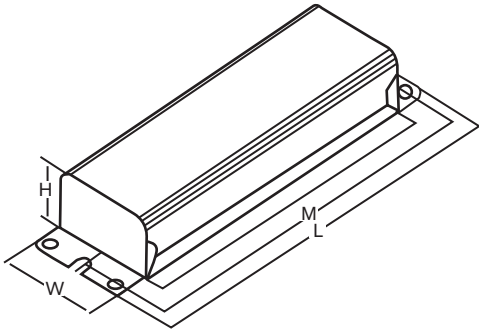
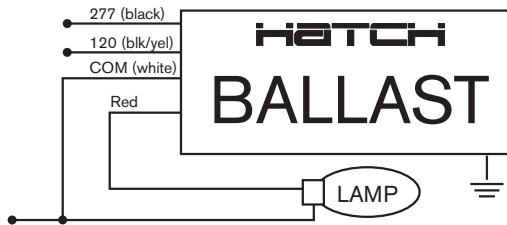




PHYSICAL DIMENSIONS



WIRING DIAGRAM



Maximum Ballast To Lamp Distance 15 Ft.

MAGNETIC HID BALLAST

Ballast Type	High Pressure Sodium	Circuit Type	HX-HPF
Lamp	100W High Pressure Sodium S54	Frequency	60

ELECTRICAL SPECIFICATIONS

Input Voltage (V)		Dual Tap			
		120	277		
Line Current (A)	Operating	1.10	0.50		
	Open Circuit	1.86	0.88		
	Starting	1.02	0.53		
Recommended Fuse		6	3		
Input Voltage At Lamp Dropout		95	220		
UL Class A 105°C Temp. Code		A	A		
Nom. Open Circuit Voltage		120			
Input Power (W)		123			
Power Factor (≥ %)		90			
Regulation (± %)	Line Volts	5			
	Lamp Watts	10			
Min. Starting Temp		-20°F / -30°C			
Case Dimensions (inches)	L	11 3/4			
	W	3 3/16			
	H	2 5/8			
	M	11 1/8			
Ballast Net Weight (lbs)		9.70			
Lead Length (inches)		12			
Capacitor	Capacitance (µF)	45			
	Min VAC Rating (V)	120			
Requires Ignitor Model		Integral			

60 HZ. TEST PROCEDURES

Short Circuit Current (A)	Secondary	Min	2.1			
		Max	3.2			
	Input	Min	0.5	0.2		
		Max	1.6	0.8		
Open Circuit Voltage (V)	Min	110				
	Max	140				
High Potential Test (V)	1 Minute	1300				
	1 Second	1600				

REFERENCE LAMP DATA

	Test Range	ANSI Standard
Starting Current (A)		2.1~3.2
CCF	1.6	≤1.8
OCV (V)	110 ~ 140	
Off Time (Sec.)		
Peak Current (A)		
Overshoot (V)		
VSS (V)		

TECHNICAL INFORMATION

- The 120V input tap is also suitable for an incandescent auxiliary lamp 100 watts maximum.
- Do not install insulation within 3 inches of ballast sides or above ballast in such a manner to entrap heat.
- SUITABLE FOR RECESSED USE



2 YEAR WARRANTY FROM DATE OF MANUFACTURE