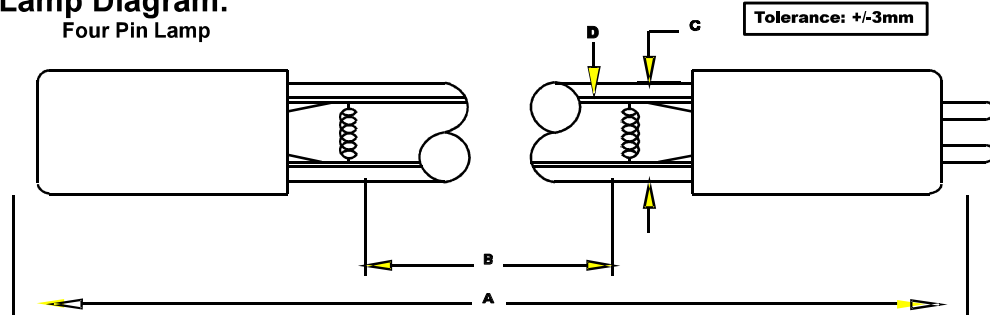


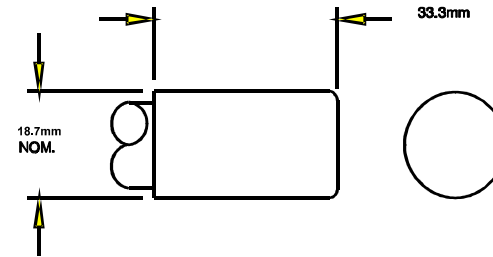
Part Number: GL-51148-4H40

Lamp Diagram: Four Pin Lamp



08-CB-062 HD No Hole Base

Left Base Diagram:



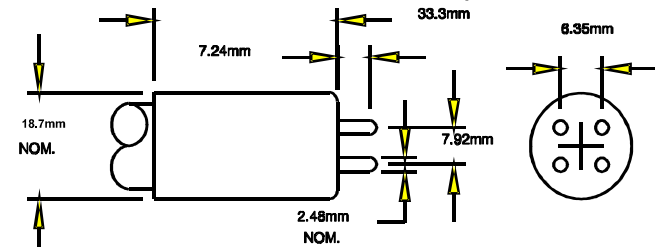
Lamp Characteristics

(A) Base Face:	1148	mm	+/- 3		
(B) ARC:	1072	mm		Operating Current	800mA
(C) Bulb Diameter	15	mm		Lamp Voltage:	130V
(X)				Lamp Wattage:	104W
Glass Type:	L (Non-Ozone)	Coating:	A11-QC-001		
If Spliced:	L	mm	VH	mm	
	(Y)				

Right Base Diagram:

08-CB-061 HD Four-Pin Base

08-PC-061 HD Four-Pin Base with vendor pin



Pin: 08-PN-006

Output UVC Watts	micro/watt	/cm^2 @ 1 Meter	Rated Life (hrs)	% Output @EOL	Output Notes Field	Ballast Used for Measurements
37		320	12000	80.00%		TB-005



One Source for All Your UV Needs!



*UV Output is based on lamps measured after 100 hours of operation under lab conditions. These values are subject to wide variations under application/field conditions.

UV Output is measured at 254 nm

**Rated Life is for reference purposes only and is based on a group of lamps operating under lab conditions. Actual life depends on the operating conditions of the lamp.