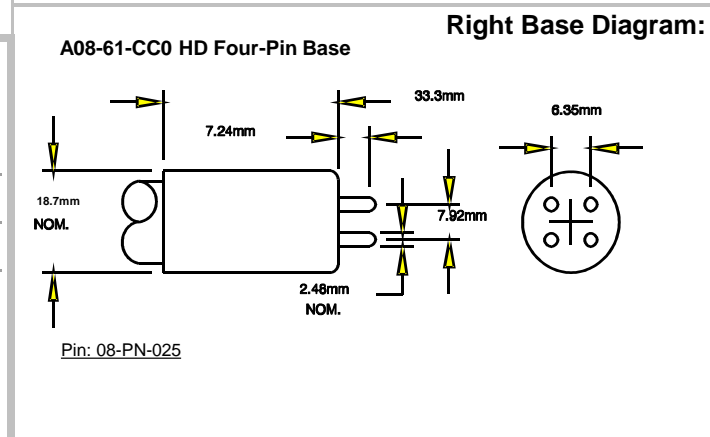
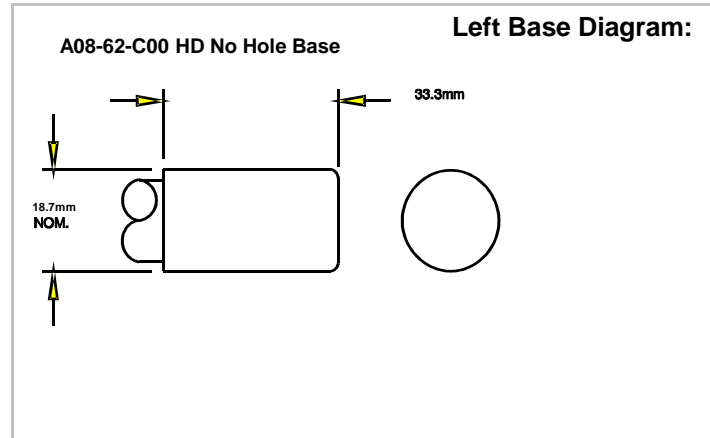
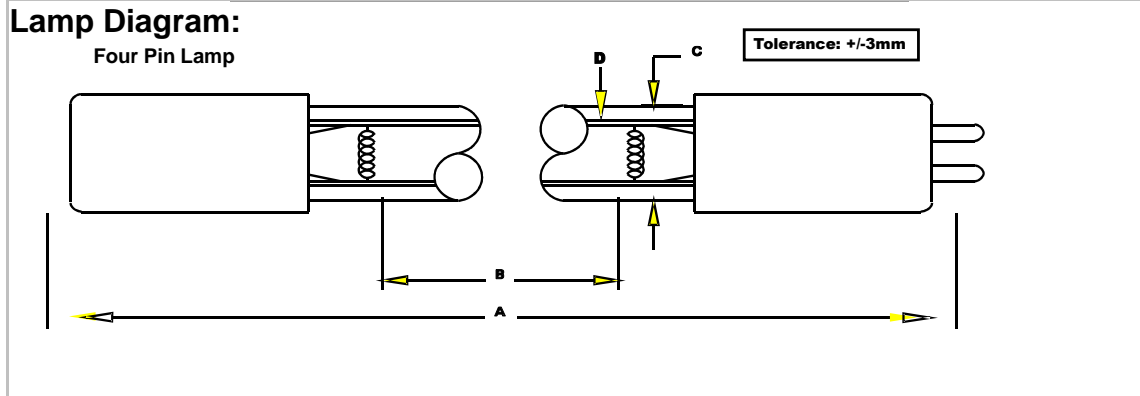


Part Number: GL-51295-4H40



Lamp Characteristics

(A) Base Face:	1295	mm	+/-3mm		
(B) ARC:	1219			Operating Current	800mA
(C) Bulb Diameter	15			Lamp Voltage:	137V
(X)				Lamp Wattage:	110W
Glass Type:	L (Non Ozone)	Coating:	A11-QC-001		
If Spliced:	L	mm	VH	mm	
	(Y)				

Output UVC Watts	micro/watt	/cm ² @ 1 Meter	Rated Life (hrs)	% Output @EOL	Output Notes Field	Ballast Used for Measurements
42		365	12000	80.00%		TB-005



One Source for All Your UV Needs!

*UV Output is based on lamps measured after 100 hours of operation under lab conditions. These values are subject to wide variations under application/field conditions.

UV Output is measured at 254 nm

**Rated Life is for reference purposes only and is based on a group of lamps operating under lab conditions. Actual life depends on the operating conditions of the lamp.

5/29/2020

9:56:55 AM

