

iGLO LED Marvel Shoebox Series - 100W

ENVIRONMENTALLY FRIENDLY, ENERGY EFFICIENT

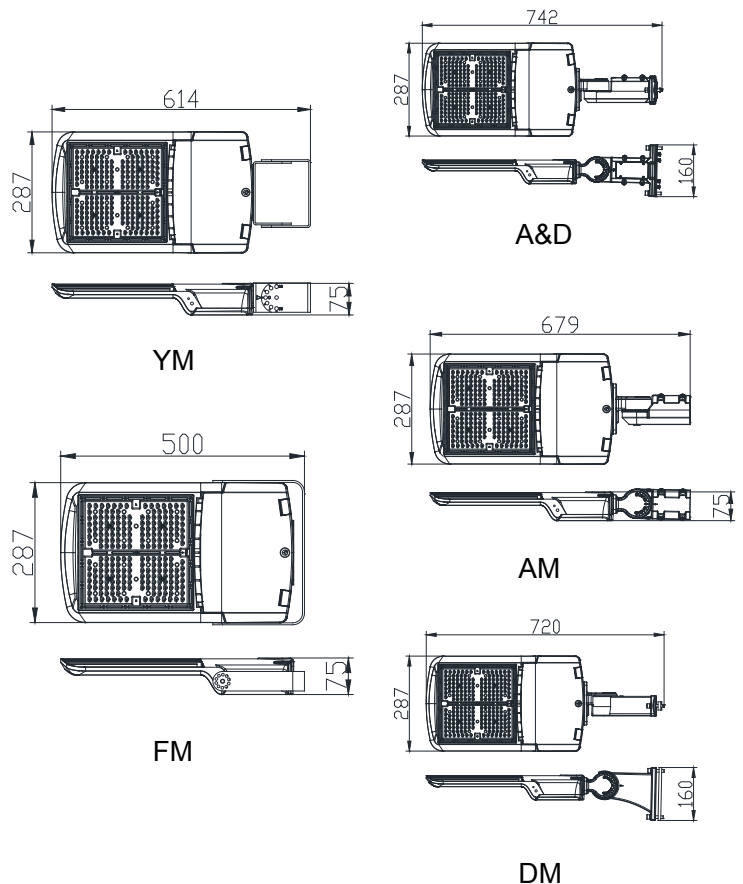
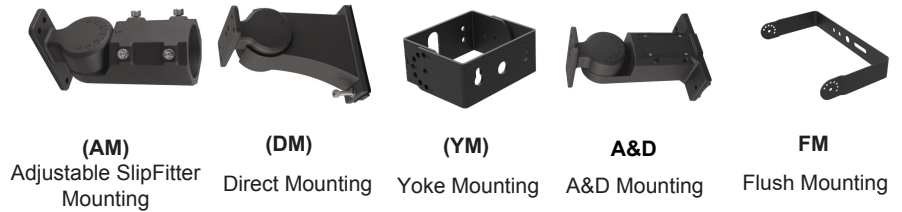


Features

- cULus, DLC Certificate.
- Seoul Chip, high CRI
- IP65 driver, Input voltage 100-277Vac
- Optional Photocell and surge protection function
- No UV or IR in the beam
- Easy to install and operate
- Energy saving, Long lifespan
- Light is soft and uniform, Safe to eyes
- Instant start, NO flickering, NO humming
- Green and eco-friendly without mercury.

Applications

- Outdoor basketball court, tennis court.
- Badminton court, the football field.
- The school playground, stadium.
- Community leisure entertainment plaza, road lamp etc.



PRODUCT SPECIFICATIONS

iGLO LED Marvel Shoebox Series:	GL100WMASB[A,B,C,D,E]SN40-57KUDX
Mounting Installation:	A = AM: Adjustable Slip Fitter Mounting B = DM: Direct Mounting C = YM: Yoke Mounting D = A&D: A&D Mounting E = FM: Flush Mounting
Wattage:	100W
Lumens:	14000-15000LM
CCT:	4000K-5700K
Input Voltage:	100-277Vac 50/60hZ
Power Factor:	≥0.9
Efficacy:	140-150LM/W
CRI:	>70
Dimensions:	AM: 679*287*75mm DM: 720*287*160mm YM: 614*287*77mm A&D: 742*287*160mm FM: 500*287*77mm
Beam Angle:	140*50° (Type III)
Operating Temperature:	-40°C to 50°C
Housing	Aluminum
Housing Color:	Black / Brown
Waterproof Rating:	IP65
Certificates:	cULus, DLC
Warranty:	5 Years

Mount Type	Lamps Net Weight	Size	Qty/ Carton	Weight/ Carton
AM	5.1Kg	810*385*160MM	1	6.3Kg
DM	5.7Kg	810*385*160MM	1	6.9Kg
YM	4.8Kg	810*385*160MM	1	6.0Kg
A&D	5.6Kg	810*385*160MM	1	6.8Kg
FM	4.5Kg	660*400*160MM	1	5.7Kg