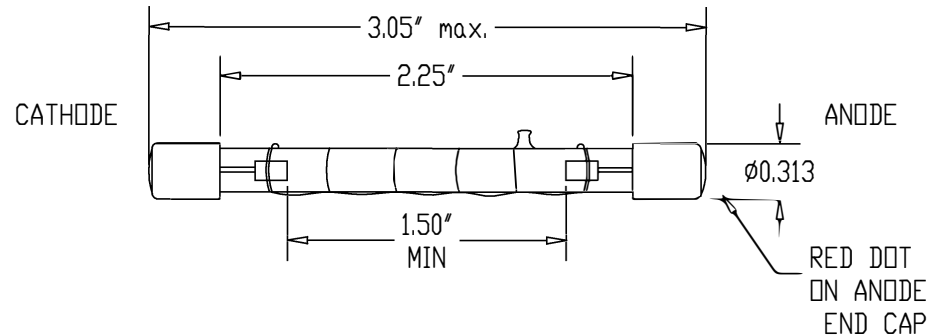


PHYSICAL CHARACTERISTICS	
GAS	XENON
ENVELOPE MATL	QUARTZ
ENVELOPE BORE DIA	4mm
ENVELOPE OVERALL DIA	6mm
HOOKUP LEADS	N/A
TRIGGER MATL	NONE
CATHODE TYPE	SINTERED TUNGSTEN
ANODE TYPE	SINTERED TUNGSTEN
POTTING MATL	CEMENT COMPOUND



ELECTRICAL CHARACTERISTICS	
MAX. ENERGY (W/S)/FLASH	5
POWER (WATTS) MAX.	25
NOM.	12
TRIGGER CAP. SIZE (μF)	.22
FLASH RATE AT MAX POWER	5HZ
MIN. TRIGGER OUTPUT (kV)	4
ANODE VOLTAGE (V) MIN.	300
(AT MIN. TRIG. OUTPUT) NOM.	400
MAX.	800
MIN. LIFE EXPECTANCY	1-100 MILLION FL

THIS DRAWING AND THE INFORMATION CONTAINED THEREIN ARE THE PROPERTY OF GENESIS LAMP AND SHALL NOT BE REPRODUCED OR USED IN ANY WAY WITHOUT WRITTEN PERMISSION

DWN BY	S.G.	DATE	11-08-07
CHK BY	M.K.	DATE	11-08-07
CHK BY	0	DATE	0
DIMENSIONS ARE IN INCHES UNLESS OTHERWISE SPECIFIED			
SHEET	1	OF	1
SCALE:	NONE		

TOLERANCES (UNLESS SPECIFIED OTHERWISE)		
ANGLES	± 2°	
FRACTIONS	± 1/32	
2 PLACE	± .04"	
3 PLACE	± .010"	
REV.	DATE	BY
-	-	-
SEE ASP REVISION SHEET FOR CHANGE DESCRIPTION		

EXTERNAL LIMITED	
DESCRIPTION	QUARTZ LINEAR FLASHTUBE
PART NUMBER	GN16Q00 12