

# SUPERIOR 288 W, 24 VDC POWER SUPPLY



Superior Series

## Specifications

SKU.....H288W-SD-24  
 Warranty.....10-year product/5-year limited labor

## Performance

Input voltage.....100~277 VAC  
 Input current.....3.0A/110 VAC | 1.2A/277VAC  
 Input frequency.....50~60 Hz  
 Efficiency.....≥ 90%  
 Power factor.....≥ 0.92  
 Power input.....4.0 A max.  
 Output voltage.....DC 24V ±2.5%  
 Output current.....3.9 A  
 Output power.....288 W (96 per leg)

## Safety

Protective characteristics.....Over-current/short-circuit/  
 over-voltage/over-temperature  
 Safety rating.....IP68, Class 2  
 Dielectric Strength (Hi-Pot).....I/P-O/P 3KVac/10mA/60S  
 I/P-Case 1.8KVac/10mA/60S  
 Insulation Resistance.....100MOhm Max/500Vdc/3S  
 Grounding Resistance.....<0.1ohm  
 EMC.....FCC part 15 class B EN55015

High performance 24 volt superior power supply



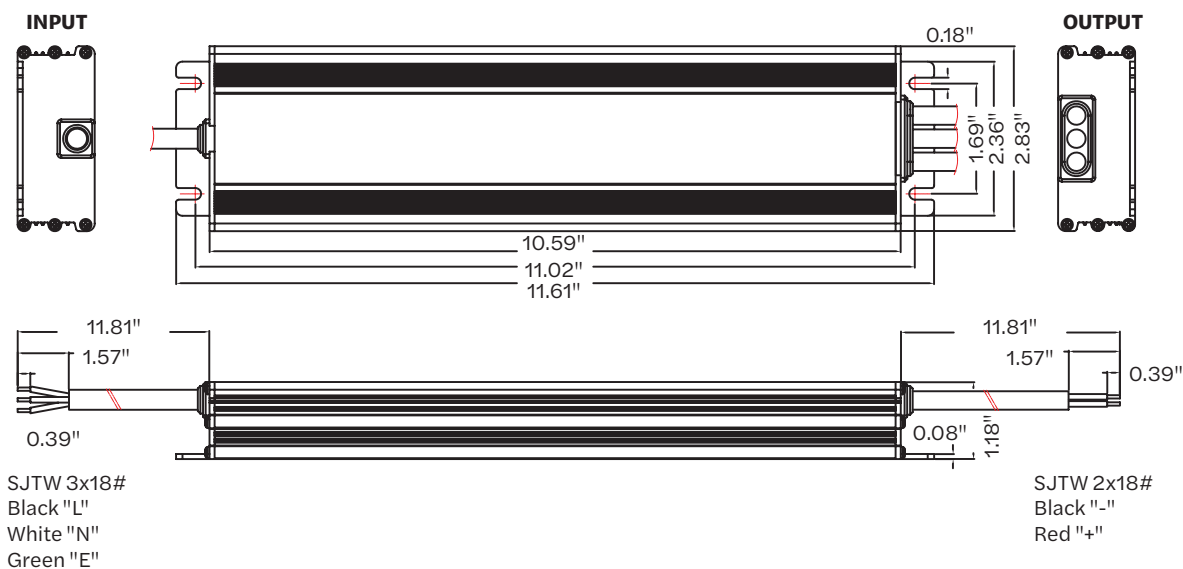
UL Retrofit Kit Classified

## Environmental

Operating temperature.....-40°~+60° C  
 Storage temperature.....-40°~+80° C  
 Relative humidity.....20~95% RH, non-cond.  
 Vibration.....10 ~ 500HZ, 5G, 30 minutes  
 (for X, Y, Z each axis)



## Dimensions



Specifications subject to change without notice.

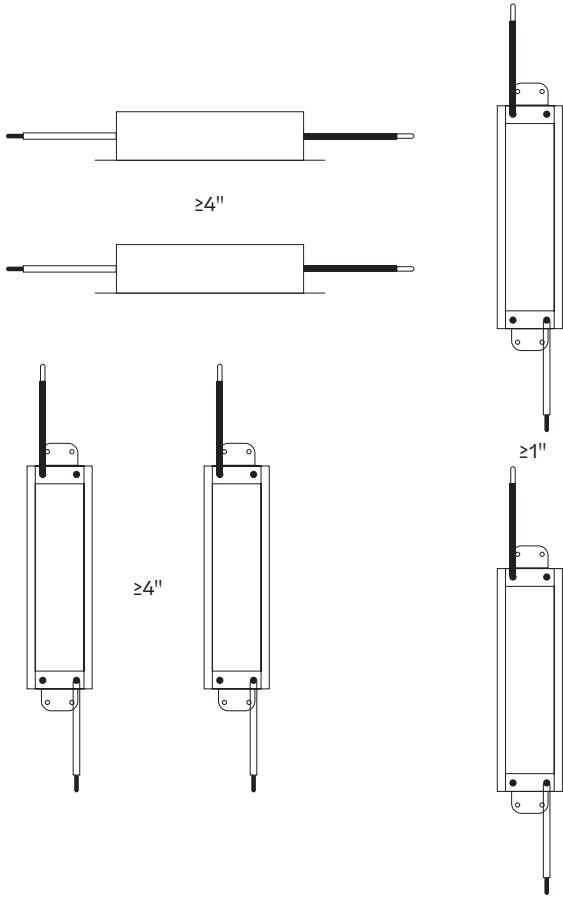


# SUPERIOR 288 W, 24 VDC POWER SUPPLY



Superior Series

## Spacing Between Power Supplies



- Ensure that the ground wire is properly grounded and ensure it does not come into contact with the neutral wire.
- Ensure the power supply position has sufficient airflow.
- Operating temperature must be between  $-40^{\circ}\text{C}$  to  $+60^{\circ}\text{C}$ .
- Do not overload the power supply with multiple appliances.
- Power supply operates at high temperature.  
To avoid injury, do not touch while in use.
- Do not install with power connected or during an electrical disturbance.
- Do not attempt to install by yourself.  
Please contact the supplier with any questions.
- Please read and follow the instructions carefully before installing.  
Ensure all contact points are in good working order.
- Please pay attention to the environment, and check for any unsafe conditions.

UL 48 Standard requires spacing between LED power supplies shall be at least 1 inch from end to end and 4 inches from side to side. This is to ensure adequate heat dissipation. Greater spacing may be required when heat ventilation in the sign or power supply enclosure is not adequate.

