



## Description

Venture Lighting's Modern Highbay luminaires are low profile, durable, and designed for long life and low maintenance. This fixture is specially design to quickly and easily upgrade existing HID and Fluorescent fixture in a high ambient temperature environment.

## Construction

The high performance LED source is mounted to an aluminum heat sink which is designed to ensure proper thermal management of the system. This design allows for a cooler running LED chip which leads to longer lifetime, better efficacy, and color consistency. Fixtures are rated for an ambient operating temperature range -30°C to 60°C. Modern high bay luminaires are water and dust resistant, with IP65 rating.

## Optics

The 200W units are equipped with a 90 degree beam spread for higher mounting heights and are also field adjustable with an accessory lens.

## Electrical

The power supply has a range of 120-277V, 50/60 Hz. The luminaire is rated for damp and dry locations.

**NOTE: This fixture is not suitable for dimming**

Order Code: HB19737

Model HW-300C-AB-HT

## Product Performance

Wattage	200W
Lumen Output	24670
Correlated Color Temperature (CCT)	5000K
Color Rendering Index (CRI)	70+
Life Hours	50,000
Replaces HID Wattage	750
Spacing Criterion (0-180)	1.3 x mtg height
Spacing Criterion (90-270)	1.3 x mtg height
Beam Angle (°)	90°
Operating Temperature Range	-22°F to 140°F (-30°C to 60°C)

## Physical Characteristics

Input Cable Length	5ft.
Safety Cable Length	3ft.
Fixture Color	White
Weight	18.3 lbs
Length	15.1" dia.
Height	10.2"

## Electrical Characteristics

Amperage Draw (Input Volts/Amps)	120/1.69 208/0.97 240/0.85 277/0.73
Surge Protection	4kV

## Regulatory Qualifications

cULus Listed

Model# HW-300C-AB-HT

## Accessories

RF13912 - 16.5" Dia. Acrylic Reflector for 100W to 300W Highbay

RF13388 - 15.3" Dia. Alum. Shield for 100 to 300W Highbay (Silver)

LN13632 - 120 Degree Plastic Flat Lens for 100W to 300W Highbay

AC53904 - PENDANT MNT KIT 300W (100-277V), 100-200W (347-480V)

LN13421 - 120 degree Glass lens for 100 to 300W Modern highbays

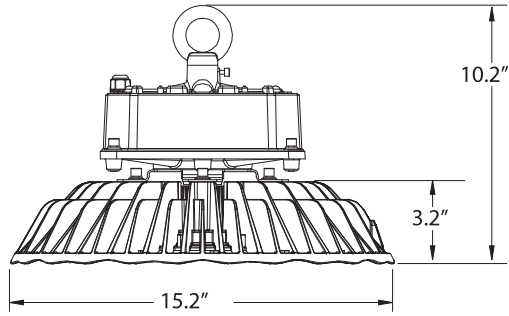
Add suffix "-S1" to order code for a factory installed fixture with a MOTION ONLY Sensor Part # PH41623

Add suffix "-S2" to order code for a factory installed fixture with a MOTION/DIM/PHOTOCELL Sensor Part # PH77409

For factory installed plug options see next page



# Venture 200W LED Highbay Fixture



RF13912



RF13388



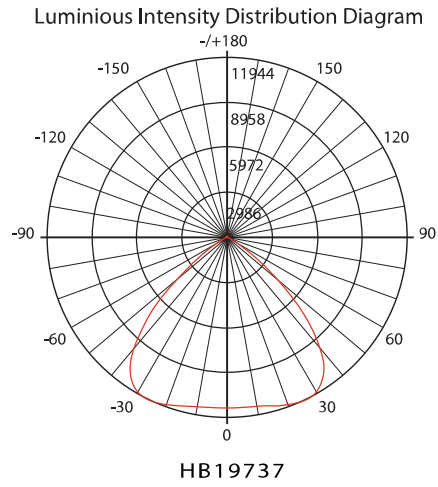
LN13632



LN28431



S1/S2 Factory Installed Sensor



NEMA L5-15



NEMA L18-20P



NEMA L6-15



NEMA L7-15P

Plug Options*	Molded Plug Options with 11ft Cable*
"-P1" - NEMA L5-15P for 120V	"-P6-C" - NEMA L5-15P for 120V w/ Cable
"-P2" - NEMA L6-15P for 240V	"-P7-C" - NEMA L6-15P for 240V w/ Cable
"-P3" - NEMA L7-15P for 277V	"-P8-C" - NEMA L7-15P for 277V w/ Cable
"-P5" - NEMA L18-20P for 208V	"-P10-C" - NEMA L18-20P for 208V w/ Cable

NOTE: \* Add Suffix to Part# for Factory Installed option  
Factory installed plug options

