



Description

Venture Lighting's Modern Highbay luminaires are low profile, durable, and designed for long life and low maintenance. They are designed to quickly and easily upgrade existing H.I.D and fluorescent fixtures.

Construction

The high performance LED source is mounted to an aluminum heat sink which is designed to ensure proper thermal management of the system. This design allows for a cooler running LED chip which leads to longer lifetime, better efficacy, and color consistency. Fixtures are rated for an ambient operating temperature range -30°C to 40°C. Modern high bay luminaires are water and dust resistant, with IP65 rating.

Optics

The 300W units are equipped with a 90 degree beam spread for higher mounting heights and are also field adjustable with an accessory lens.

Electrical

The power supply has a range of 120-277V, 50/60 Hz. 0-10V DC dimming capability is standard. The luminaire is rated for damp and dry locations.

NOTE:

*Lumen maintenance data is based on LED testing per IESNA LM-80-08 and projected per IESNA TM-21-11

DLC Model# HW-300C-AB

Product Performance

Wattage	300W
Lumen Output	40108
Correlated Color Temperature (CCT)	5000K
Color Rendering Index (CRI)	70+
Lumen Maintenance @50,000 hours*	77%
Calculated L70 @ 25°C Ambient in Hours*	68,000
Replaces HID Wattage	1000W
Spacing Criterion (0-180)	1.3 x mtg height
Spacing Criterion (90-270)	1.3 x mtg height
Beam Angle (°)	90°
Operating Temperature Range	-22°F to 104°F (-30°C to 40°C)

Physical Characteristics

Input Cable Length	5ft.
Safety Cable Length	3ft.
Fixture Color	White
Weight	19.2 lbs
Length	15.1" dia.
Height	10.2"

Electrical Characteristics

Amperage Draw (Input Volts/Amps)	120/2.60 208/1.51 240/1.31 277/1.21
Surge Protection	4kV

Regulatory Qualifications

cULus Listed / DLC Qualified - Model# HW-300C-AB

Accessories

RF13912 - 16.5" Dia. Acrylic Reflector for 100W to 300W Highbay

RF13388 - 15.3" Dia. Alum. Shield for 100 to 300W Highbay (Silver)

LN13632 - 120 Degree Plastic Flat Lens for 100W to 300W Highbay

AC53904 - Pendant Mount Kit (White) for ¾" NPT for use with select fixtures

LN13421 – Tempered Clear Flat Glass Lens

Add suffix "-S1" to order code for a factory installed fixture with a MOTION ONLY Sensor part # PH41623

Add suffix "-S2" to order code for a factory installed fixture with a MOTION/DIM/PHOTOCELL Sensor part # PH77409

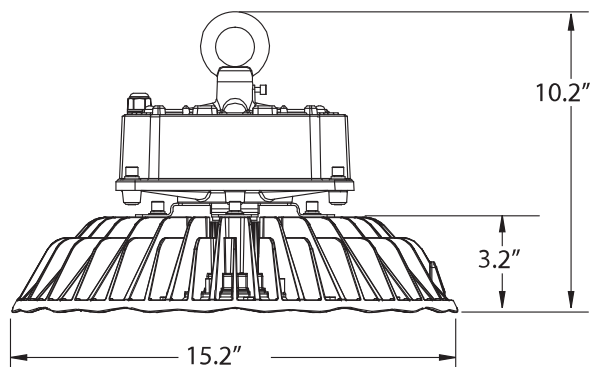
Add suffix "-S3" to order code for a factory installed fixture with a WET & LOW TEMP. RATED MOTION ONLY Sensor (Part # PH21458)

Add suffix "-S4" to order code for a factory installed fixture with a WET & LOW TEMP. RATED MOTION/DIM/PHOTOCELL Sensor (Part # PH27419)

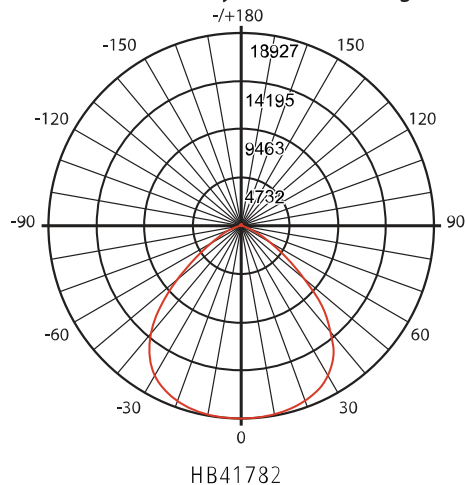
For factory installed plug options see next page



Venture 300W LED Highbay Fixture



Luminous Intensity Distribution Diagram



RF13912



RF13388



LN13632



S1/S2 Factory Installed Sensor



NEMA L5-15



NEMA L18-20P



NEMA L6-15



NEMA L7-15P

Plug Options*	Molded Plug Options with 11ft Cable*
"-P1" - NEMA L5-15P for 120V	"-P6-C" - NEMA L5-15P for 120V w/ Cable
"-P2" - NEMA L6-15P for 240V	"-P7-C" - NEMA L6-15P for 240V w/ Cable
"-P3" - NEMA L7-15P for 277V	"-P8-C" - NEMA L7-15P for 277V w/ Cable
"-P5" - NEMA L18-20P for 208V	"-P10-C" - NEMA L18-20P for 208V w/ Cable

NOTE: * Add Suffix to Part# for Factory Installed option
Factory installed plug options

