



Description

Venture Lighting's highbays are low profile, light weight, and designed for long life with low maintenance and great performance. These LED luminaires are designed to quickly and easily upgrade existing HID and fluorescent fixtures.

Construction

The high performance LED source is mounted to an aluminum heat sink which is designed to ensure proper thermal management of the system. This design allows for a cooler running LED chip which leads to longer lifetime, better efficacy, and color consistency. Fixtures are rated for an ambient operating temperature range -22°F to 104°F (-30°C to 40°C).

Optics

The units are equipped with a 90 degree beam spread for higher mounting heights and are also field adjustable with an accessory lens.

Electrical

The power supply has a range of 120-277V, 50/60 Hz. 0-10V DC dimming capability is standard. The luminaire is rated for wet locations.

NOTE:

*Lumen maintenance data is based on LED testing per IESNA LM-80-08 and projected per IESNA TM-21-11

DLC Model# HB1-300WC26A3BUP

Product Performance

Wattage	300W
Lumen Output	42460
Correlated Color Temperature (CCT)	5000K
Color Rendering Index (CRI)	80
Lumen Maintenance @50,000 hours*	89%
Calculated L70 @ 25°C Ambient in Hours*	155,000
Replaces HID Wattage	1000W
Beam Angle (°)	90°
Operating Temperature Range	-22°F to 104°F (-30°C to 40°C)

Physical Characteristics

Diameter	12.6"
Input Cable Length	5ft.
Safety Cable Length	3ft.
Fixture Color	Black
Weight	13.6 lbs
Height	8.13"

Electrical Characteristics

Amperage Draw (Input Volts/Amps)	120/2.60 208/1.51 240/1.31 277/1.21
----------------------------------	-------------------------------------

Regulatory Qualifications

cULus Listed

DLC Model# HB1-300WC26A3BUP

Accessories

LN15997 - 120° Clear Tempered Glass Lens for 300W VSolutions HB

LN10210 - 120° Frosted Tempered Glass Lens for 300W VSolutions HB

LN13413 - 120° Clear Polycarbonate Lens for 300W VSolutions HB

LN10374 - 60° Polycarbonate Lens for 300W VSolutions HB

RF55800 - 16" Dia. Polycarbonate Reflector for 150W and 300W VSolutions HB

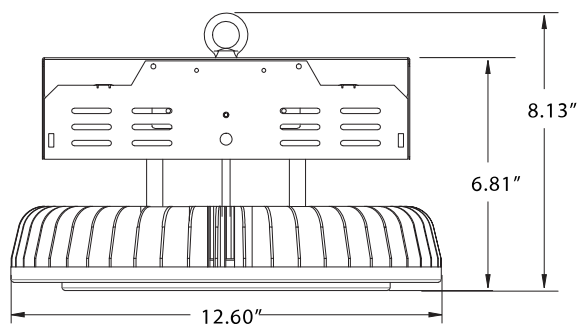
RF50402 - Aluminum Reflector (90°) for 150W and 300W VSolutions HB

KT12089 - VSolutions HB Sensor with mounting kit 150W and 300W

For factory installed plug options see next page



Venture 300W VSolution LED Highbay



LN13413
120° Clear Polycarbonate Lens

LN10374
60° Polycarbonate Lens

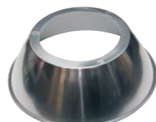


LN10210
120° Frosted Tempered Glass Lens

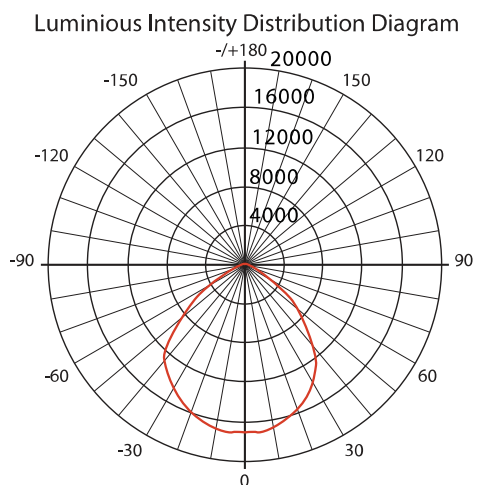
LN15997
120° Clear Tempered Glass Lens



RF55800



RF50402



NEMA L5-15



NEMA L18-20P



NEMA L6-15



NEMA L7-15P

Plug Options*	Molded Plug Options with 11ft Cable*
"-P1" - NEMA L5-15P for 120V	"-P6-C" - NEMA L5-15P for 120V w/ Cable
"-P2" - NEMA L6-15P for 240V	"-P7-C" - NEMA L6-15P for 240V w/ Cable
"-P3" - NEMA L7-15P for 277V	"-P8-C" - NEMA L7-15P for 277V w/ Cable
"-P5" - NEMA L18-20P for 208V	"-P10-C" - NEMA L18-20P for 208V w/ Cable

NOTE: * Add Suffix to Part# for Factory Installed option
Factory installed plug options

