



LED High Lumen, Low Profile High Bay Lights

100, 150 & 240 Watts – Dimmable – 110°~115° Beam – 100~277VAC – IP65 – ETL



FEATURES

- 5 Year LEDtronics Warranty
- Energy Savings of 70% over Counterpart HIDs
- Lumen Maintenance over 70% @ 50,000+ Hours
- Dimmable 0-10V – Title 24 Compliant
- High Lumen, High CRI, Low Glare
- ADC12 Aluminum Alloy Black Housing
- Clear Tempered Glass Lens
- IP65: Suitable for High Humidity Sites
- No UV / No RF, Impact Resistant, Lightweight
- ETL Listed (5011490)
- No Toxic Metals – RoHS Compliant
- 12 inch Input & Dimming Wires Included

APPLICATIONS

Ideal for High Bay Lighting Applications:

- Factory Production Areas
- Industrial Plants, Workshop Areas
- Warehouses, Depots, Conference Halls
- Indoor Tennis & Basketball Courts

AVAILABLE OPTIONS

- Other Color Temperatures: 3000K, 4000K, 5700K, 6500K
- Other Wattages & Voltages
- Adjustable Brackets



100 Watts, Replaces MH/HPS Lamps up to 200W/250W

HBL006-100W-XPW-101WD

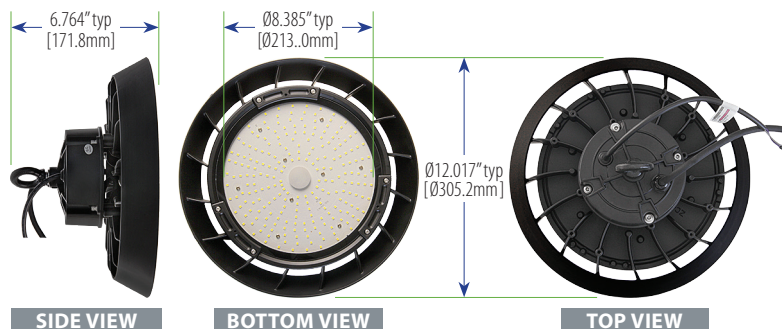
Input Power	105.3 Watt
Input Voltage	100~277VAC (Tested @ 120VAC)
Input Current	0.88A
Power Factor	0.9316
Lumens	14849.3 lm
Luminous Efficacy	141.02 lm/W
Max. Candela	4528 cd
Emitted Color	Pure White
Color Temperature	5000K
CRI	82.2
Illumination Angle	110°
Dimmability	0-10V
Operating Temp.	-22°F ~+122°F / -30°C ~+50°C
Protection Rating	IP65 (Water-Resistant to Low-Pressure Spray)
Housing	ADC12 Aluminum Alloy / Black
Lens	Clear Tempered Glass
Dimensions	Ø12.0 x 6.7 in / Ø305 x 170 mm
Weight	5.5 lbs / 2.5 Kg



115° BEAM ANGLE



Stainless-Steel Seismic Safety Lanyard Included



Over 35 Years of LEDtronics Design, Engineering & Manufacturing Experience

150 Watts, Replaces MH/HPS Lamps up to 320W/350W

HBL006-150W-XPW-101WD

Input Power	149.26 Watt
Input Voltage	100~277VAC (Tested @ 120VAC)
Input Current	1.235A
Power Factor	0.939
Lumens	20747.1 lm
Efficacy	139 lm/W
Max. Candela	6867.4 cd
Emitted Color	Pure White
Color Temperature	5000K
CRI	83
Illumination Angle	115°
Dimmability	0-10V
Operating Temp.	-40°F ~+158°F / -40°C ~+70°C
Protection Rating	IP65 (Water-Resistant to Low-Pressure Spray)
Housing	ADC12 Aluminum Alloy / Black
Lens	Clear Tempered Glass
Dimensions	Ø12.0 x 6.76 in / Ø305 x 171.8 mm
Weight	6.9 lbs / 3.13 Kg
DLC Listing	P12K7BR9



LEDTRONICS®

America's Premium Brand LED Company™



© 2022 LEDtronics, Inc.



23105 Kashiwa Court, Torrance, CA 90505
 Phone: (800) 579.4875 / (310) 534.1505
 Fax: (310) 534.1424
 E-mail: info@ledtronics.com
 Website: ledtronics.com

To order LEDtronics products, contact the Distributor or Sales Representative in your area.

Visit our website to find your local Distributor or Representative from our worldwide network:
LEDtronics.com

WWW.LEDTRONICS.COM

LOG 826 / Rev 06-2022

Check LEDTRONICS.COM for latest data. Printed material may be outdated.

LED High Lumen, Low Profile, Dimmable High Bay Light – 235 Watts

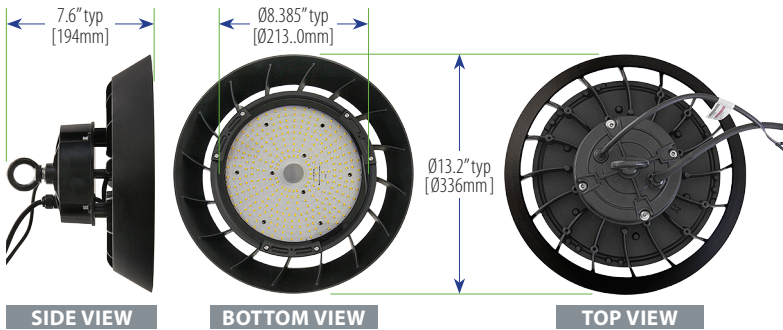
235 Watts, Replaces MH/HPS Lamps up to 450W



110° BEAM ANGLE

HBL006-240W-XPW-101WD

Input Power	235.5 Watts
Input Voltage	100~277VAC (Tested @ 120VAC)
Input Current	1.98A
Power Factor	0.9273
Lumens	32982.2 lm
Efficacy	140 lm/W
Max. Candela	10633.9 cd
CRI	83
Emitted Color	Pure White
Color Temperature	5000K
Illumination Angle	110°
Dimmability	0-10V
Operating Temp.	-22°F ~+122°F / -30°C ~+50°C
Protection Rating	IP65 (Water-Resistant to Low-Pressure Spray)
Housing	ADC12 Aluminum Alloy / Black
Lens	Clear Tempered Glass
Dimensions	Ø13.23 x 7.74 in / Ø336 x 196.5 mm
Weight	7.74 lbs / 3.51 Kg
DLC Listing	PV30FLZ9



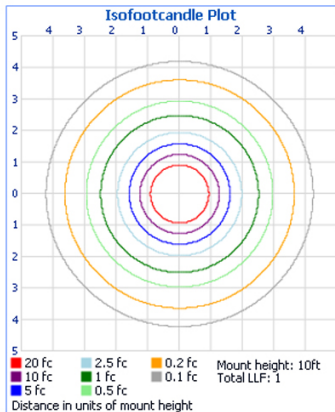
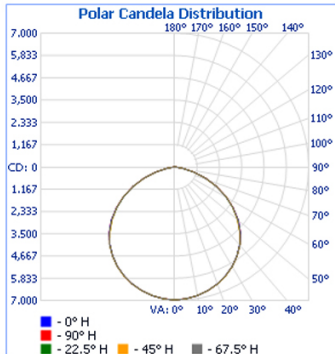
Stainless-Steel Seismic Safety Lanyard Included



Luminaire Photometric Report

Filename: HBL006-150W-XPW-101WD
 Manufacturer: LEDTRONICS
 Luminaire: CLEAR LENS, 147.7W, 120VAC
 Lamp Output: 1 lamp(s), rated Lumens/lamp: 19615.8
 Max Candela: 6,967.4 at Horizontal: 0°, Vertical: 0°
 Luminous Opening: Point
 Test: 10-30-20
 Photometry: Type C
 CIE Class: Direct
 Cutoff Class: Full Cutoff
 Nema Type: 7 X 7

Zone	Lumens	% Total	Zone	Lumens	% Total
0-10	657.8	3.4%	90-100	0	0%
10-20	1,891.0	9.6%	100-110	0	0%
20-30	2,897.2	14.8%	110-120	0	0%
30-40	3,549.0	18.1%	120-130	0	0%
40-50	3,711.0	18.9%	130-140	0	0%
50-60	3,305.2	16.8%	140-150	0	0%
60-70	2,365.4	12.1%	150-160	0	0%
70-80	1,089.4	5.6%	160-170	0	0%
80-90	149.9	0.8%	170-180	0	0%



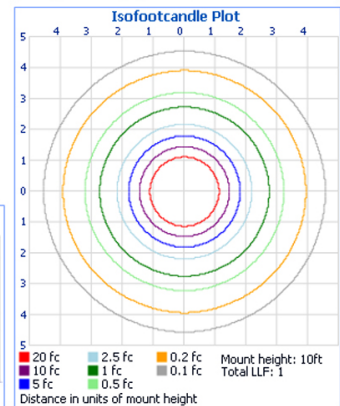
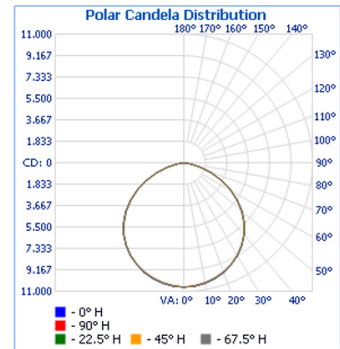
Center Beam FC	Beam Width
2,508.26 fc	5.1ft 5.1ft
627.07 fc	10.2ft 10.2ft
278.70 fc	15.3ft 15.3ft
156.77 fc	20.4ft 20.4ft
100.33 fc	25.5ft 25.6ft
69.67 fc	30.6ft 30.7ft

Vert. Spread: 113.6° Horiz. Spread: 113.8°

Luminaire Photometric Report

Filename: HBL006-240W-XPW-101WD
 Manufacturer: LEDTRONICS
 Luminaire: CLEAR LENS, 236.4W, 120VAC
 Lamp Output: 1 lamp(s), rated Lumens/lamp: 29467.1
 Max Candela: 10,633.8 at Horizontal: 0°, Vertical: 0°
 Luminous Opening: Point
 Test: 10-30-20
 Photometry: Type C
 CIE Class: Direct
 Cutoff Class: Full Cutoff
 Nema Type: 7 X 7

Zone	Lumens	% Total	Zone	Lumens	% Total
0-10	1,003.4	3.4%	90-100	0	0%
10-20	2,882.8	9.8%	100-110	0	0%
20-30	4,409.9	15.0%	110-120	0	0%
30-40	5,380.1	18.3%	120-130	0	0%
40-50	5,601.3	19.0%	130-140	0	0%
50-60	4,936.7	16.8%	140-150	0	0%
60-70	3,467.5	11.8%	150-160	0	0%
70-80	1,567.0	5.3%	160-170	0	0%
80-90	218.5	0.7%	170-180	0	0%



Center Beam FC	Beam Width
3,828.17 fc	5.0ft 5.0ft
957.04 fc	10.0ft 9.9ft
425.35 fc	14.9ft 14.9ft
239.26 fc	19.9ft 19.9ft
153.13 fc	24.9ft 24.9ft
106.34 fc	29.9ft 29.8ft

Vert. Spread: 112.4° Horiz. Spread: 112.3°