



HF-Essential II for TL5/TL-D

HF-E II 236 TL-D 220-240V 50/60Hz

Essentially smart and reliable. HF-Essential II is the most cost-effective solution for reliably operation of a fluorescent lamp. It is also the ideal entry-level product for electromagnetic system users who want to take advantage of the benefits provided by electronic ballasts. The cost-saving and reliable HF-Essential II is energy efficiency class A2, and its robust design meets all relevant international safety and performance standards. HF- Essential II is the ideal choice for a broad range of new construction and retrofit applications within the commercial sector, including general surface mounting and office lighting, parking garages, warehouses and other applications. The ballast is primarily designed for Indoor application. For outdoor application, the luminaire should be minimum Classland need to be sufficiently protected against water & dust. The installation should also be guard against any lightening surge or any other necessary electrical protection as deemed in such typical installation & application.

Product data

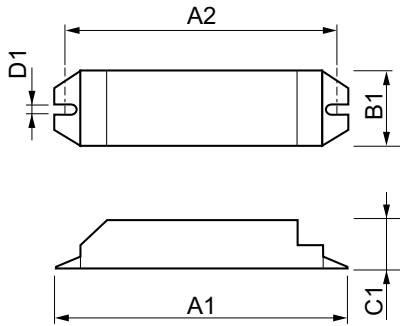
Operating and Electrical		Connector Type Output Terminals	Insert
Input Voltage	220 to 240 V		
Line Frequency	50 to 60 Hz	Temperature	
Input Frequency	50 to 60 Hz	Ambient temperature range	-10 °C to 50 °C
Earth Leakage Current (Max)	0.5 mA	T-Case Lifetime (Nom)	80 °C
Inrush Current Width	0.37 ms	T-Case Maximum (Max)	80 °C
Inrush Current Peak (Max)	20 A	Mechanical and Housing	
Number of Products on MCB (16A Type B) (Nom)	16	Housing	L 211x40x28.7
Wiring		Approval and Application	
Connector Type Input Terminals	Insert	Ingress protection code	IP20 [Finger-protected]

HF-Essential II for TL5/TL-D

Energy Efficiency Index	A2
Approval Marks	CE marking CB Certificate KEMA Keur certificate RoHS Compliant
Product Data	
Order product name	HF-E II 236 TL-D 220-240V 50/60Hz
Full product name	HF-E II 236 TL-D 220-240V 50/60Hz
Full product code	871829177058900
Order code	913713041166

Material Nr. (12NC)	913713041166
Numerator - Quantity Per Pack	1
Net Weight (Piece)	0.155 kg
EAN/UPC - Product/Case	8718291770589
Numerator - Packs per outer box	20
EAN/UPC - Case	8718291770596

Dimensional drawing



Product	D1	C1	A1	A2	B1
HF-E II 236 TL-D 220-240V 50/60Hz	4.2 mm	28.7 mm	211.0 mm	198.0 mm	39.6 mm

