

HF-Matchbox Blue

HF-M BLUE 109 LH TL/PL-S 230-240V

HF-Matchbox Blue is an affordable, reliable, compact, lightweight and high-frequency ballast for use with system wattages below 25 W in combination with TL mini, TL-D, TL5 and TL5c, PL-T/C, and PL-L/S lamps. The HF-M Blue range has a robust design, meets all relevant international safety and performance standards and has an energy efficiency index (CELMA EEL) of A2.

Product data

• General Characteristics

Rated Lamptype	TL/PL-S
Rated Number of Lamps	1 piece
Rated Ballast-Lamp Power	9
Line Voltage	230-240 V
Line Frequency	50/60 Hz
Housing	LH

• Operating Characteristics

Automatic restart	Yes
Maximum ignition time	0.5 (max) s
Mains voltage safety (AC)	-10%/+10%
Mains voltage performance (AC)	-8%/+6%
Power losses gear	1.7 W
PowerFactor 100% output power	0.64 -
Battery voltage lamp ignition	194-254 V
Overvoltage protection 320Vac	0.03 hr
Max ballast on MCB(16A type B)	159 x

• Wiring Characteristics

Color input terminals	Blue
Color output terminals	Grey
Conn.type input terminals	Insert

Conn.type output terminals	Insert
Max. cable length Device/Lamp	1.50 m
Max. cable length Hot Wires	0.30 m
Striplength	8.0-9.0 mm
Wcs Input terminals	0.50-1.50 mm2
Wcs Output terminals	0.50-1.50 mm2

• System Chars on driver level

System Power on PL-S	9.5
Rated Lamp Power on PL-S	9
Power Loss on PL-S	1.7
Lamp Power on PL-S	7.8
Lamp Power on TL	8.2
Power Loss on TL	1.9
Rated Lamp Power on TL	9
System Power on TL	10.1

• Temperature Characteristics

F-marking	Yes
T-case maximum	75 (max) C
T-ambient	-10 (min), 40 (max) C

• Product Dimensions

Length A1	144.0 mm
Fixing Hole Distance	132.0 mm
Length A2	
Width B1	22.0 mm

PHILIPS

HF-Matchbox Blue

Height C1 22.0 mm
 Fixing Hole Diameter D1 4.4 mm

• Approval & Application Chars

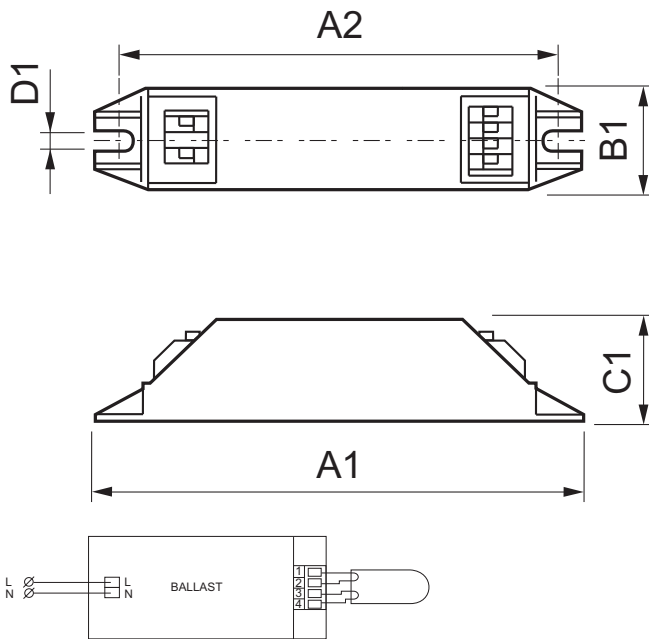
CE marking Yes
 ENEC certificate No
 VDE certificate Yes
 UL certificate No
 CB Certificate Yes

• Product Data

Order code 913700421366

Full product code 913700421366
 Full product name HF-M BLUE 109 LH TL/PL-S 230-240V
 Order product name HF-M BLUE 109 LH TL/PL-S 230-240V
 Pieces per pack 1
 Packing configuration 50
 Packs per outerbox 50
 Bar code on pack - EAN1 8711500536808
 Bar code on outerbox - EAN3 8711500536815
 Logistic code(s) - 12NC 913700421366
 Net weight per piece 0.036 kg

Dimensional drawing



HF-M BLUE 109 LH TL/PL-S 230-240V

Product	A1 (Norm)	A2 (Norm)	B1 (Norm)	C1 (Norm)	D1 (Norm)
HF-M BLUE 109 LH TL/PL-S 230-240V	144.0	132.0	22.0	22.0	4.4

