

HF-Matchbox Red

HF-M RED 118 SH PL-C/PL-T 230-240V

HF-Matchbox Red is an affordable, reliable, compact, lightweight and high-frequency ballast for use with system wattages below 25 W in combination with TL mini, TL-D, TL5 and TL5c, PL-T/C, and PL-L/S lamps. The HF-M Red range has a robust design, meets all relevant international safety and performance standards and has an energy efficiency index (CELMA EEI) of A2.;The ballast is primarily designed for Indoor application. For outdoor application, the luminaire should be minimum Classland need to be sufficiently protected against water & dust. The installation should also be guard against any lightning surge or any other necessary electrical protection as deemed in such typical installation & application.

Product data

General Information	
Lamp Type	PL-C/PL-T
Number of Lamps	1 piece/unit
Number of Products on MCB (16A Type B) (Nom)	73
Automatic Restart	Yes
Operating and Electrical	
Input Voltage	230 to 240 V
Input Frequency	50 to 60 Hz
Power Factor 100% Load (Nom)	0.62
Ignition Time (Max)	0.45 s
Mains Voltage Performance (AC)	-8%+6%
Mains Voltage Safety (AC)	-10%+10%
Power Losses (Nom)	2.0-2.1 W
Wiring	
Connector Type Input Terminals	Insert

Color Input Terminals	Orange
Color Output Terminals	Grey
Connector Type Output Terminals	Insert
Cable Length From Device to Lamp	1.50 m
Cable Length Hot Wiring	0.30 m
Wire Striplength	8.0-9.0 mm
Input Terminal Cross Section	0.50-1.50 mm ²
Output Terminal Cross Section	0.50-1.50 mm ²

System characteristics	
Rated Ballast-Lamp Power	18 W
Rated Lamp Power on PL-T	18 W
System Power on PL-T	17.3 W
Power Loss on PL-T	2.1 W
Lamp Power on PL-T	15.2 W
System Power on PL-C	17.9 W
Rated Lamp Power on PL-C	18 W
Power Loss on PL-C	2 W

HF-Matchbox Red

Lamp Power on PL-C	15.9 W
--------------------	--------

Temperature

T-Ambient (Max)	40 °C
T-Ambient (Min)	-10 °C
T-Case Maximum (Max)	75 °C

Mechanical and Housing

Housing	SH
---------	----

Emergency Operation

Battery Voltage Lamp Ignition	194-254 V
-------------------------------	-----------

Approval and Application

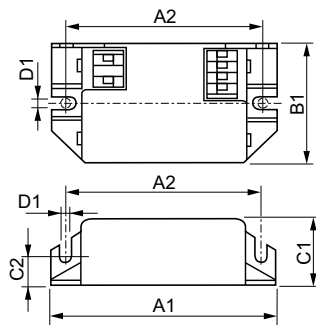
IP Classification	IP 20 [Ingress Protection 20]
-------------------	--------------------------------

Approval Marks	F-Marking CE marking ENEC certificate CB Certificate
----------------	---

Product Data

Full product code	871150092802330
Order product name	HF-M RED 118 SH PL-C/PL-T 230-240V
EAN/UPC - Product	8711500928023
Order code	913700423466
Numerator - Quantity Per Pack	1
Numerator - Packs per outer box	50
Material Nr. (12NC)	913700423466
Net Weight (Piece)	0.034 kg

Dimensional drawing



Product	D1	C1	C2	A1	A2	B1
HF-M RED 118 SH PL-C/PL-T 230-240V	4.4 mm	22.0 mm	10.0 mm	80.0 mm	70.0 mm	40.0 mm

HF-M RED 118 SH PL-C/PL-T 230-240V

