



# HF-Selectalume II for TL5 lamps

## HF-S 249 TL5 II 220-240V 50/60Hz

HF-Selectalume II TL5 is the most cost-effective, reliable and outstanding solution for fluorescent lamps. These ballasts are part of an overall high-efficiency lighting system that may help you or your customers to achieve any international or local energy code you need to comply with. HF-Selectalume II TL5 ballasts are the ideal choice for a broad range of new construction and retrofit applications within the commercial sector, including general surface mounting or office lighting, parking garages, warehouses, waterproof and other applications. The ballast is primarily designed for Indoor application. For outdoor application, the luminaire should be minimum Classland need to be sufficiently protected against water & dust. The installation should also be guard against any lightening surge or any other necessary electrical protection as deemed in such typical installation & application.

### Product data

Operating and Electrical		Connector Type Output Terminals	
Input Voltage	220 to 240 V	WAGO 744 connector [Suitable for manual wiring]	
Line Frequency	50 to 60 Hz	Temperature	
Input Frequency	50 to 60 Hz	Ambient temperature range	-20 °C to 50 °C
Earth Leakage Current (Max)	0.5 mA	T-Case Lifetime (Nom)	75 °C
Inrush Current Width	0.35 ms	T-Case Maximum (Max)	75 °C
Inrush Current Peak (Max)	28 A	Mechanical and Housing	
Number of Products on MCB (16A Type B) (Nom)	12	Housing	L 280x30x21
Wiring		Approval and Application	
Connector Type Input Terminals	WAGO 744 connector	Ingress protection code	IP20 [Finger-protected]
		Energy Efficiency Index	A2 BAT

## HF-Selectalume II for TL5 lamps

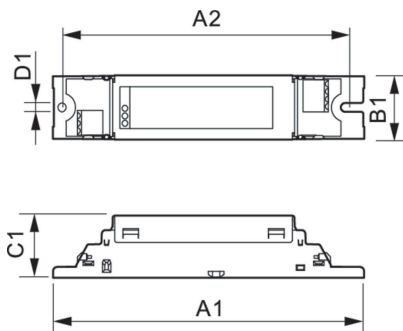
<b>Approval Marks</b>	F-Marking CE marking ENEC certificate CCC
	certificate C-Tick certificate PSB certification
	TISI marking SIRIM approval CB Certificate CCC
	certificate VDE-EMV certificate

### Product Data

<b>Order product name</b>	HF-S 249 TL5 II 220-240V 50/60Hz
<b>Full product name</b>	HF-S 249 TL5 II 220-240V 50/60Hz
<b>Full product code</b>	872790090560100

<b>Order code</b>	913713033566
<b>Material Nr. (12NC)</b>	913713033566
<b>Numerator - Quantity Per Pack</b>	1
<b>EAN/UPC - Product/Case</b>	8711500999368
<b>Numerator - Packs per outer box</b>	12
<b>EAN/UPC - Case</b>	8727900905601

### Dimensional drawing



Product	D1	C1	A1	A2	B1
HF-S 249 TL5 II 220-240V 50/60Hz	4.1 mm	21.5 mm	280.0 mm	265.0 mm	30.0 mm

