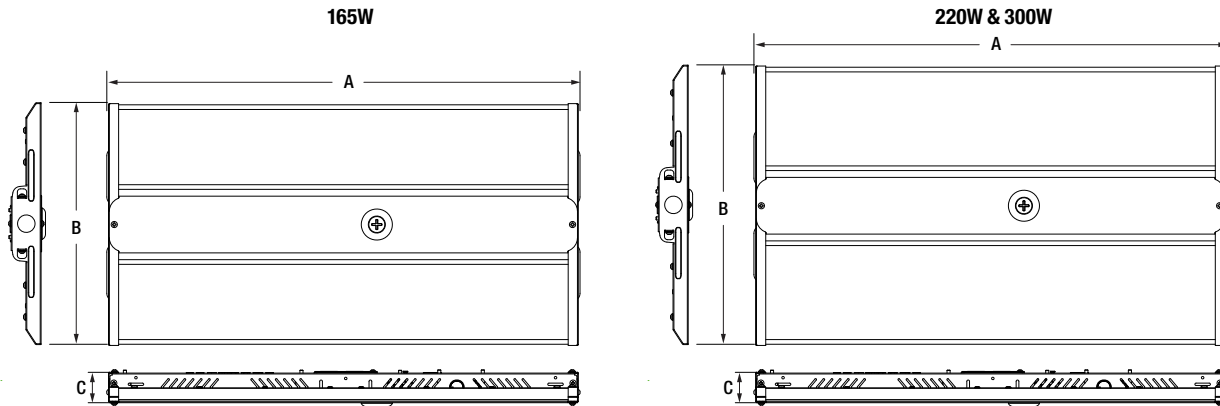


Physical Information

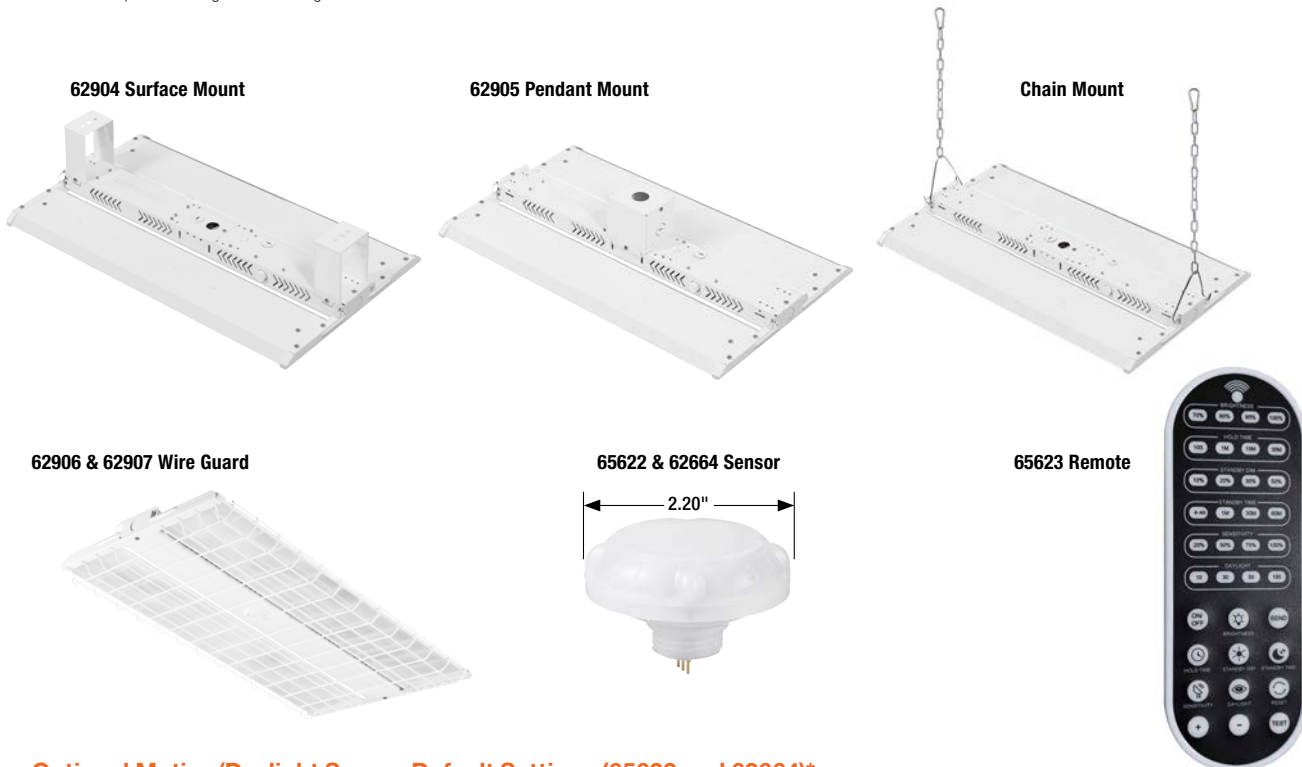
Luminaire Description	(A) Length in (mm)	(B) Width in (mm)	(C) Height in (mm)
165W LNHI5A5A	24 (609)	11.8 (300)	1.6 (40)
220W & 300W LNHI5A5A	24 (609)	14.2 (360)	1.6 (40)



Accessory Information

Item Number	Ordering Abbreviation	Item Description
62904	LNHI5A5A/SURFMTGBRACKET/WH	Surface Mount Bracket (2 brackets per SKU for the mounting of 1 luminaire)
62905	LNHI5A5A/PENDMTGBRACKET/WH	Pendant Mount Bracket sized for 1/2" or 3/4" conduit (1 bracket per SKU for the mounting of 1 luminaire)
62906	LNHI5A5A/WG01/WH	Linear High Bay 5A Wire Guard, white, for use with NAEDs 62875 (165W) only
62907	LNHI5A5A/WG02/WH	Linear High Bay 5A Wire Guard, white, for use with NAEDs 62876 and 62877 (220W and 300W) only
65622	HIGHBAY/MOTIONDAYSENSOR	Field installable microwave Motion/Daylight sensor with maximum mounting height of 49ft.*
62664	HIGHBAY/PIR/MOTIONDAYSENSOR2	Field installable PIR DC Motion/Daylight Sensor, IP65, Max. mounting height 39 ft.*
65623	REMOTE/MOTIONDAY/001	Remote control for Motion/Daylight Sensors (65622 and 62664) – Remote is required to change default settings
60573	LNHI5A2A/CHAINMT	Chain Mount (5 foot) – 2 per SKU (for mounting 1 fixture)
60574	LNHI5A2A/ACCABLEMT	Cable Mount (5 foot) – 2 per SKU (for mounting 1 fixture)

*Remote is required to change default settings



Optional Motion/Daylight Sensor Default Settings (65622 and 62664)*

Detection Area	100%
Hold time – Time fixture stays at 100% after last motion before dimming	10 Minutes
Daylight threshold – Light level above which lights will remain off	50 Lux
Stand-by period – Time light remains dimmed before shutting off	60 Minutes
Stand-by dimming – Dimming level of light during stand-by period	30%

*The default settings can only be changed using the optional remote 65623.