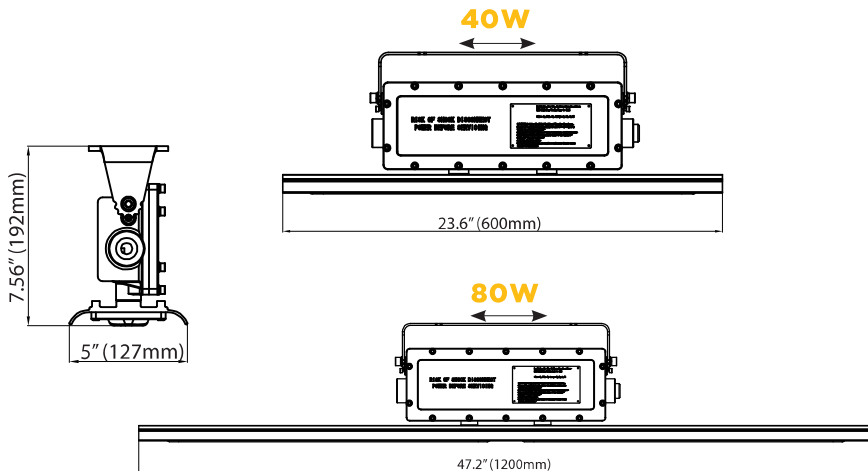




LINEAR CLASS I DIVISION 2 | HL-LI SERIES



The **HL-LI SERIES** is a linear LED luminaire engineered to stand up to the toughest operating conditions in **Class I Division 2** environments such as petroleum refineries and grain processing facilities. A slim and lightweight profile and variety of mounting options enable this long-lasting, high-performance fixture to address virtually any lighting need in **harsh and hazardous locations**.



* Fixture comes standard with 3/4" NPT opening

CLASSIFICATIONS & RATINGS:

- Class I, Division 2, Groups A, B, C, D
- Class II, Division 1, Groups E, F and G
- Class II, Division 2, Groups F, G
- Class III, Division 1
- Marine Grade
- CSA C22.2, No. 137-M1981, No. 30-M1986, No. 25-1966, No. 250.0, No. 250.13
- 1000 hours Spray Testing
- 5G Vibration rating per ANSI C136.31-201
- See table on page 2

ELECTRICAL:

- 5,200 lm to 10,400 lm
- 120-277V or 347-480V options available
- Power Factor: > 0.90

CONSTRUCTION:

- Die cast AA6063 aluminum housing
- Stainless steel hardware
- LEXAN LUX7630C Polycarbonate lens
- Polyester powder coat finish

MOUNTING OPTIONS:

- Ceiling Mount
- 3/4" NPT Pendant Mount
- Pipe Mount
- Hanging Chain Mount
- See page 3 for mounting images

APPLICATIONS:

- Mining Sites/Heavy Industries
- Storage Facility/Paper Mills
- Wastewater Treatment Plants
- Loading Docks/Platforms/Shipyards
- Chemical Processing Facility
- Petrochemical Processing Facility

WARRANTY:

5-year standard warranty* (further details available at www.maxlite.com/warranties)

*Product may be eligible for a warranty extension to 10 years, for an additional fee. Contact MaxLite for details.

MODEL SELECTION		Typical order example: HL-LI2440U				
HL	-	LI				
FAMILY	-	SUB FAMILY	LENGTH	NOMINAL WATTAGE	VOLTAGE	CCT
HL= Hazardous Location	-	LI= Linear, Gray finish	24= 2-foot	40= 40W, 5000K, Wide (110°)	U= 120-277V H= 200-480V	[BLANK]= 5000K 40= 4000K ¹ 30= 3000K ¹
			48= 4-foot	80= 80W, 5000K, Wide (110°)		

¹Made to order.



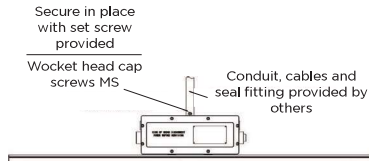
LINEAR CLASS I DIVISION 2 | HL-LI SERIES

SPECIFICATIONS:

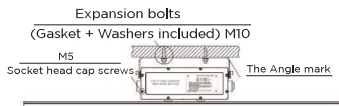
SPECIFICATIONS:		HL-LI2440	HL-LI4880
		DETAILS	
GENERAL PERFORMANCE	Input Power (W)	40W	80W
	Lumens Delivered (lm)	5,480	10,960
	Efficacy (lm/W)	130	
	CRI	> 70	
	Lumen Maintenance (L70, TM-21 @ 25°C)	>100,000	
	Color Temperature	5000K standard, custom CCTs available	
	Spacing Criteria	Available upon request	
ELECTRICAL	Power Factor	>0.95	
	Input Voltage	120-277V standard, 200-480V available	
PHYSICAL	Housing	Die cast AA6063 aluminum housing	
	Lens	LEXAN LUX7630C Polycarbonate lens	
	Weight	11.0 lbs (5.0 kg)	15.2 lbs (6.9 kg)
	Dimensions	23.6" x 5.0" x 7.6"	47.2" x 5.0" x 7.6"
	Humidity	5% - 95% RH, non-condensing	
	Operating Temperature	-40°C - 50°C (-40°F - 122°F)	
	Temperature Rating	T3C Rating	
CERTIFICATION	Certification	DLC Standard, UL844, UL 8750, UL1598A, FCC, LM79, LM80	
	Environment	IP66	
	Material Usage	RoHS compliant; no mercury	
	Warranty	5-year standard warranty*	

MOUNTING OPTIONS:

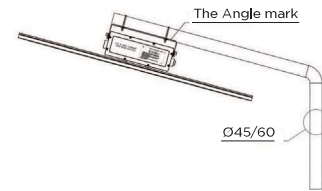
Comes standard with a Yoke bracket/ as ceiling mount configuration.
Hardware required to alter the standard mounting option into other variations is not provided by Maxlite



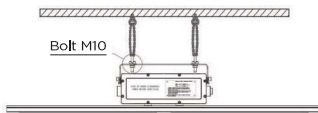
Pendant Mount



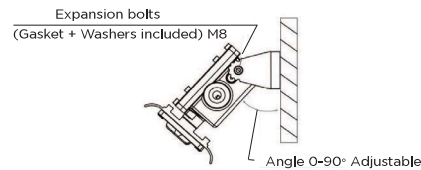
Ceiling Mount



Stanchion Mount



Hanging Chain Mount



Wall Mount

ACCESSORIES			
ORDER CODE	ITEM #	DESCRIPTION	IMAGE
14100360	HLLIRB	2nd retention point bracket, qty 2	
102934	HLSC250	Rig-a-lite 10128R lighting fixture safety cable, 4' long, 250 lbs rating	
106063	HLLISC ¹	Safety Cable, HL-LI Series, Stainless Steel, 3FT Long	

¹Works with the HLLIRB installed on the fixture