

LED Lamp Retrofit Solution for Incandescent and Halogen Sealed Beam PAR56 and PAR64 Can Lights.
Quick & Easy Installation. No Need to Replace Fixtures.

Easy, Drop-in replacement for your old Incandescent Sealed Beam Lamps. Compatible with existing Fixtures, and Wiring Triac Dimmer Systems. Simply Plug it in and its' a go! Ideal for:

- Stages and Theaters
- Houses of Worship
- Exhibits & Banquet Halls
- Studios
- Convention Centers
- Halls and Centers
- Auditoriums
- Arenas

Designed for Quick & Easy Installation in New or Existing Can Lights. The HyLite LED Lotus Lamps feature Excellent Optics for Increased Visibility, and Low Power Consumption. With Lamp Life of up to 60,000 hours, HyLite LED Lotus Lamps significantly reduce Energy Consumption and Relamping Costs, consequently decreasing Maintenance and Disposal Costs.

The HyLite LED Lotus Lamp is available in Multiple Beam Angles for Ideal Light Distribution. It Enhances Vision for Better Optical Acuity, reduces Light Pollution, and provides Clean, Crisp Light. It offers an Unprecedented Level of Light Output, Efficiency and Energy Savings that is Unmatched in the Industry today.

- Easy Installation: Use as a Direct Retrofit into an existing Can Light.
- GX16D Plug works with existing connection in PAR 56 & 64 Can Lights
- Multiple Beam Angles for Greater Light Control: 25°, 40°, & 120° Solutions from Narrow Beams to Wide Floods.
- High Lumen Efficacy of up to 140 LpW. Up to 90% Energy Savings
- Instant Start and Restart: No warm-up time required
- High >80+ CRI. Crisp Light showing True Colors
- Flicker-free, Crisp Light for Greater Visibility
- Patented Passive Cooling Design: No Moving Parts for Longer Life
- Fully Encapsulated: Shatter-proof, High-Shock & High-Vibration Resistant
- Ultra-Long Design Life*: Up to 60,000 Hours. Up to 16 years at an on time of 10 hrs per day. Eliminate the need for Frequent Relamping.
- Excellent Thermal Management with Proprietary Heat Sink. Cool Operation with No Excessive Heat common with Incandescent & Halogen PAR Lamps
- Heat & Impact Resistant, UV Protected, Non-yellowing, Optical Grade Lens
- Safe and Reliable: Isolated Circuit Design. Integral 2kV Surge Suppressor and Protection. Includes a Free 20kA in-line SPD for added Protection
- Ingress Protection: IP65 Rated for Exterior, Wet-location use. Complete protection against Contact, Dust Infiltration and Water Splashes.
- Safe: Contain No Hazardous Materials; RoHS Compliant: No Lead, Mercury, Toxic Metals or Arsenic Gases. No Disposal requirements.
- Environmentally Friendly: 98% of the HyLite LED Lamp is Recyclable
- Lowest Total Cost of Ownership. Zero Maintenance Costs. Shortest Payback Period and High ROI

Suitable for
Damp Locations Enclosed Fixtures

Triac Dimmable Model



SAVE UP TO
90%
ON YOUR
ENERGY COSTS

FREE!
20 kA
In-line Surge Protection Device Included. Additional Protection for your HyLite Lotus Retrofit Lamp at no Cost!



Proprietary & Patented Design



98% RECYCLABLE

NO
LEAD, MERCURY,
HEAVY METALS
OR TOXIC GASES

Sealed Beam PAR	Replace with HyLite Lotus	Energy Savings
Integrated Triac Dimming		
300W, PAR56	40W	86%
500W, PAR56	60W	88%
1000W, PAR 64	100W	90%

<p>Beam Angle Multiple Beams</p>	<p>Suitable For Enclosed Luminaires</p>	<p>Low Power & Longer Life Up to 60,000 Hours</p>	<p>Energy Costs Reduction of up to 90%</p>	<p>Solid State Vibration and Shock Resistant</p>	<p>No EMI / RFI Zero Interference</p>	<p>No IR / UV Radiation-Free No Humming</p>	<p>High Efficacy Up to 140 LpW LM-80 Tested LM-79 Tested</p>	<p>Reliability x 1,000,000 LM-80 Tested ISTMT Tested</p>	<p>Warranty 5 Years Safe and Reliable</p>
---	--	--	---	---	--	--	---	---	--

*Depending upon the ambient temperature of the installation location

Model No.	Watts	Delivered Lumens	Maximum Install Height	Input Line Current	Dimensions & Weight (each)									
					Diameter	Height	Weight							
HL-LS-40WD-EX-*_** HL-LS-40WD-GX-*_** HL-LS-40WD-WC-*_**	40	5,600	<20 ft. (6m)	150~328mA	7" (178mm)	7" (178mm)	2 lb. (920g)							
HL-LS-60WD-EX-*_** HL-LS-60WD-GX-*_** HL-LS-60WD-WC-*_**								60	8,400	<26 ft. (8m)	217~418mA	7" (178mm)	7" (178mm)	2 lb. (920g)
HL-LS-100WD-EX-*_** HL-LS-100WD-GX-*_** HL-LS-100WD-WC-*_**														

Note: Triac Dimmable Model (for use with 120V Input Voltage Only)

Ordering Information: * -25 (for Narrow Flood Beam); -40 (for Flood Beam); -120 (for Wide Flood Beam)
** - 30K (for 3000°K); - 50K (for 5000°K)



Standard Beam Angle: 120°

Legend: EX = With EX-39 (Mogul) Base

GX = With GX16D Adapter

WC = With WC2 Adapter

- Minimum Lamp Compartment Dimensions for Enclosed Fixtures: See Table Below
- To Prevent early Lamp Failure, Lamp should only be installed in Operating Environments ranging from a Minimum of -40°F (-40°C) to a Maximum of +131°F (+55°C)

- Efficacy: Up to 140 LpW
- Protection: IP65
- Ambient Working Temperature: -40°F~+131°F (-40°C~+55°C)
- 277VAC to 120VAC available with External Step-Down Transformer only.
- CRI: >80+
- Rated Life: 50~60,000 Hrs.*
- Standard Beam Angle: 120°
- Triac Dimmable (for use with 120VAC, 50/60 Hz. Only)
- Max. THD (%): <20%
- Power Factor: >0.9
- Warranty: 5 Years

For 40W Model - Please see HL-DT-50VA-277V-120V Spec. Sheet at: <https://hyliteledlighting.com/resources/specification-sheets/>

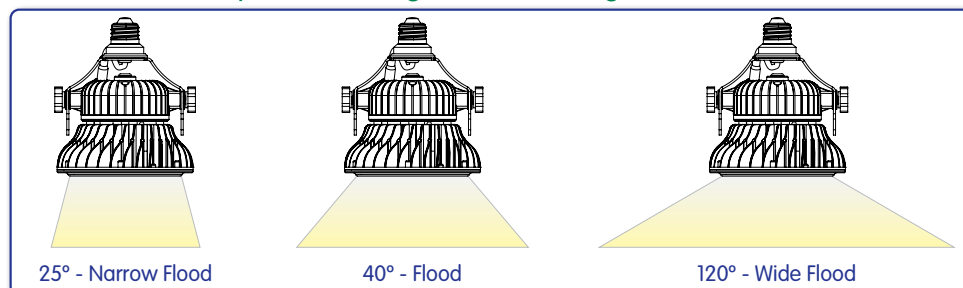
For 60W Model - Please see HL-DT-70VA-277V-120V Spec. Sheet at: <https://hyliteledlighting.com/resources/specification-sheets/>

For 100W Model - Please see HL-DT-160VA-277V-120V Spec. Sheet at: <https://hyliteledlighting.com/resources/specification-sheets/>

- 3000°K and 5000°K Standard CCT. Products with 2400°-6500°K (CCT) are available as "Special Orders" only and with Longer Lead Times

* Depending upon the ambient temperature of the installation location

Multiple Beam Angles for Ideal Light Distribution



HyLite Lotus Model	Minimum Lamp Compartment Dimensions for Enclosed Fixtures
40W and 60W	8" x 8" x 11" (203mm x 203mm x 280mm)
100W	18" x 18" x 18.5" (463mm x 463mm x 470mm)

Installation: HyLite LED Triac Dimmable Lamps are Suitable for Use with 120V AC Input Voltage Only. Ballast (if equipped) must be Bypassed or Removed from the Fixture before installing the Lamp. Eliminating the Ballast saves Additional Costs related to Maintenance, Energy Consumption and Performance. By-passing Ballast will also ensure that there is no EMI/RF interference.

Warning: Failure to follow these Instructions will result in a Damaged Product and will VOID Warranty. It could also result in an Electric Shock, or Fire.



NO
LEAD, MERCURY,
HEAVY METALS
OR TOXIC GASES



98%
RECYCLABLE

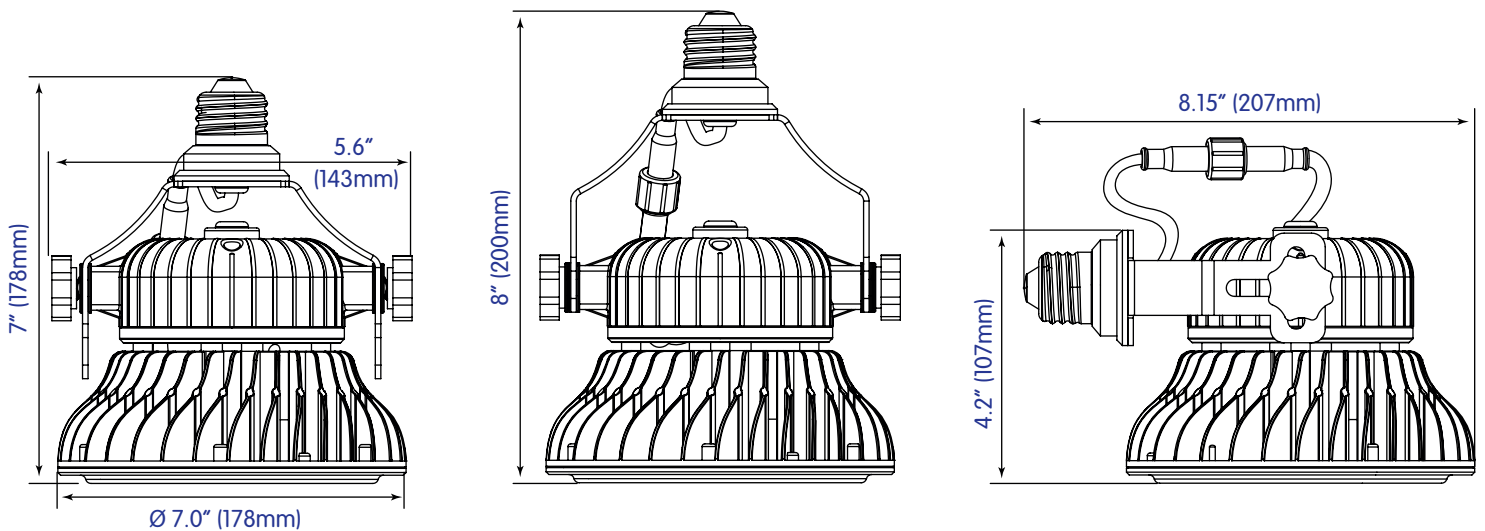
Ideal for High-Quality illumination in:

- High Ceilings
- Studio Lighting
- Track Lighting
- Stage Lighting
- Spot Lighting
- Down Lights
- Accent Lighting
- Flood Lighting
- Low & High Bay Lighting
- Canopy Lights
- Decorative Lighting
- Site Lighting
- Pendant Lights
- Freezer & Cold Storage Lights
- Barn Lights



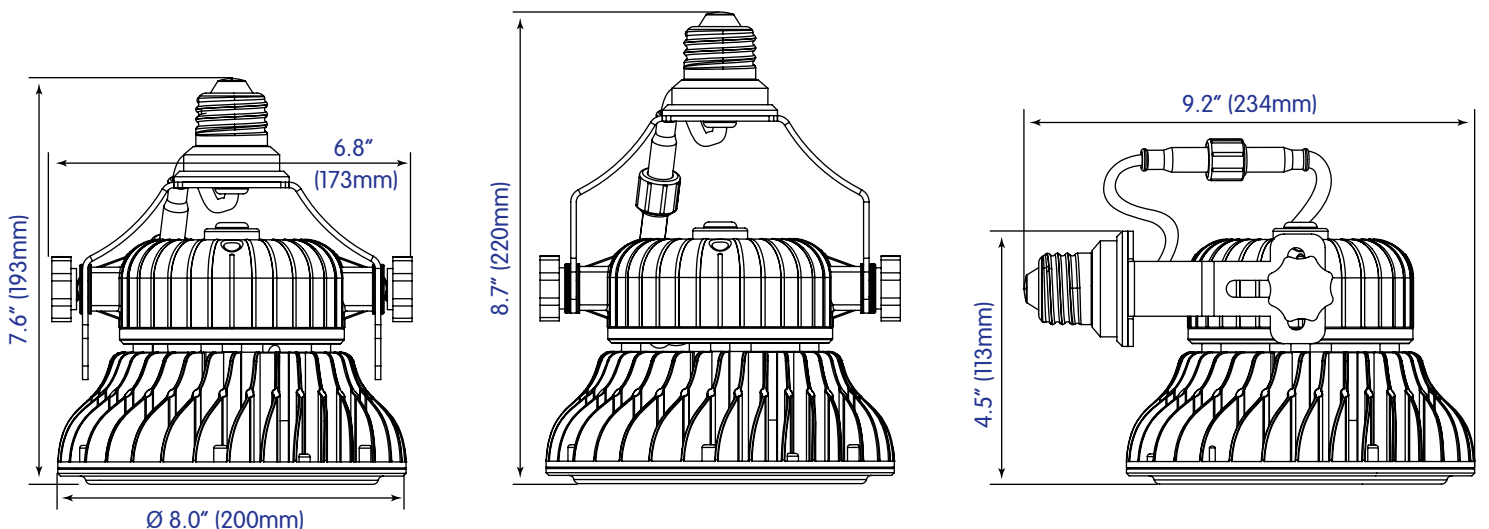
Lotus LED Lamp, 40W and 60W (PAR56) Dimensions

(Shown with EX-39 (Mogul) Base)



Lotus LED Lamp, 100W (PAR64) Dimensions

(Shown with EX-39 (Mogul) Base)



Quick Adapters:



HL-QA-GX16D-LS
GX16D Quick Adapter



HL-LS-WC2
2 Ft. (60cm)
Whip Connector
Quick Adapter



Lotus Lamp shown with GX16D Quick Adapter



Lotus Lamp shown with WC2 Quick Adapter

Warning - Risk of Fire or Electric Shock

- Disable all Power to the Lamp before Inspection, Installation, or Removal. Failure to do so will create a Hazardous and Fatal Working Environment.
- Suitable for use in Dry, Damp and Wet Locations. Lamp must be installed in accordance with National, State, and/or Local Electrical Codes. Do Not Open – No User Serviceable Parts Inside.
- Operate in Fixtures that provide the Free Flow of Air around the Lamp. In Enclosed Fixtures, ensure the Lamp has enough Space for Heat Dissipation. This will ensure Lumen Maintenance and Extend its Working Life. Failure to Follow these Instructions will result in a Damaged Product and will VOID Warranty. When Products are used in Outdoor Fixtures, ensure the Space is Waterproof and Well-Ventilated.
- DO NOT Block Light emanating from Product in Whole or Part, as this may Cause an Unsafe Condition.
- Not intended for use in Emergency Exit Fixtures or Exit Lights.
- Caution: When Installing Lamps in Corrosive Environments, HyLite suggests that a High-Temperature, Moisture-Resistant, Silicone Grease or Sealant be used to protect the Metal-threaded base of the LED Lamp to prevent Water and/or Moisture Incursion that can lead to Premature Degradation of the Lamp Base and eventual Lamp failure. This is especially recommended for LED Lamp Installations near Saltwater Bodies.
- Installing Surge/Lightning Protectors is Highly Recommended and helps to Eliminate Premature Driver Failure caused by Surges and Power Fluctuations.