

High Performance LED Lotus Lamp, 40W-60W

Dual Wattage & Color Selectable

Replace 12 Models with One Lamp

NEXGEN PRODUCTS

- 0-100% Smooth Triac & 0-10VDC Continuous Dimming without Flicker, Pulse, or Stepping
- Dual Wattage: 40W & 60W
- Color Selectable: 3000K-4000K-5000K
- High CRI: >90
- Universal Voltage: 100~277VAC
- Suitable for Dry & Damp Locations

- Replace 12 Models with One Lamp - Lowest Total Cost of Ownership. Shortest Payback Period and High ROI. Zero Maintenance Costs.
- Highest Lumen Efficacy of up to 166 LpW. Offers an Unprecedented Level of Light Output, Efficiency and Energy Savings that is Unmatched in the Industry.
- High CRI >90: Pleasing Light showing True Colors and Crisp, Flicker-free Lighting.
- Available in Multiple Beam Angles (15°, 25°, 40°, & 120° - Spot Beam to Wide Floods) for Greater Light Control and Ideal Light Distribution.
- Versatile: Use as a Stand-alone Fixture or as a Replacement for HID, PAR Halogen, CFL or Incandescent Lamps in New or Existing Fixtures.
- Suitable for Fully Enclosed Fixtures.
- Cool Operation: Does not add to Heat Load while producing Brilliant Light.
- Easy Installation & Retrofitting: Simply Bypass Ballast and Screw-in.
- Ingress Protection: IP65 - Complete Protection against Contact, Dust Infiltration, and Water Splashes.
- Ultra-Long Design Life: Up to 60,000 hours*. Eliminate the hassle of Repeated Relamping.
- Flexible: Can be Mounted with Base Up, Down or Sideways. 180° Adjustable Mounting for Directional Lighting.
- Solid-State: High-Shock and High-Vibration Resistant.
- Fully Encapsulated with Heat and Impact Resistant, UV Protected, Non-yellowing, Optical Grade PC Lens.
- Patented Passive Cooling Design: No Moving Parts for Longer Life.
- Instant Start & Restart: No Warm-up time required even in Extreme Cold.
- Can be used with Direct Wire Connection for Temporary or Portable Lighting.
- Wide Ambient Operating Temperature Range: -40°F~-131°F (-40°C~+55°C).
- No Noise or RF Interference.
- Radiation/Emissions-Free: No Harmful IR, No RFI, EMI or HD
- Patented Technology Delivers Maximum, Lifetime Energy Savings
- No UV Emissions: Does Not attract Insects.
- Enhances Vision: Zero Dark Spots for greater Visibility & Safety.
- Safe: Contain No Hazardous Materials; RoHS Compliant: No Lead, Mercury, Toxic Metals or Arsenic Gases. No Disposal Requirements. Facilitates LEED® points.
- Environmentally Friendly: 98% of the HyLite Lotus Lamp is Recyclable.



US Patent D860,481

0-100% Smooth Triac & 0-10V Continuous Dimming

Universal Voltage
AC 100~277VAC

Proprietary & Patented Design



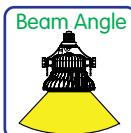
Incandescent or PAR Halogen	HID	CFL	HyLite Lotus
300W	200W	120W	40W
500W	250W	175W	60W
87-88%	87-88%	67%	Energy Savings (%)*

* Does not include Ballast Loss, Maintenance and Replacement Lamp Savings and Disposal Costs which can amount to additional Savings of 30~50%!

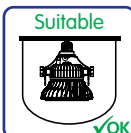
40W = 300W Incandescent or PAR Halogen Equivalent

SAVE UP TO 88% ON YOUR ENERGY COSTS

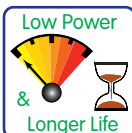
60W = 500W Incandescent or PAR Halogen Equivalent



Even & Uniform



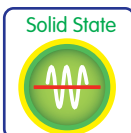
For Enclosed Luminaires



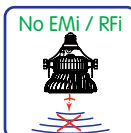
Up to 60,000 Hours*



Reduction of up to 88%



Vibration and Shock Resistant



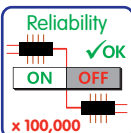
Zero Interference



Radiation-Free No Humming



Up to 166 LpW LM-79 Tested



LM-80 Tested ISTMT Tested



Safe and Reliable

Model No.	Watts	Delivered Lumens	Maximum Install Height	Input Line Current	Dimensions & Weight (each)		
					Diameter	Height	Weight
HL-LS-4060WD-EX-* -3050K	40W-60W	40W = 7,213 60W = 10,195	40W = <33 ft. (10m) 60W = <50 ft. (15m)	144~333mA 217~500mA	7" (178mm)	7" (178mm)	2 lb. (920g)
HL-LS-4060WD-GX-* -3050K							
HL-LS-4060WD-WC-* -3050K							

Ordering Information: * -15 (for Spot Beam); -25 (for Narrow Flood Beam); -40 (for Flood Beam); -120 (for Wide Flood Beam)

Standard Beam Angle: 120°

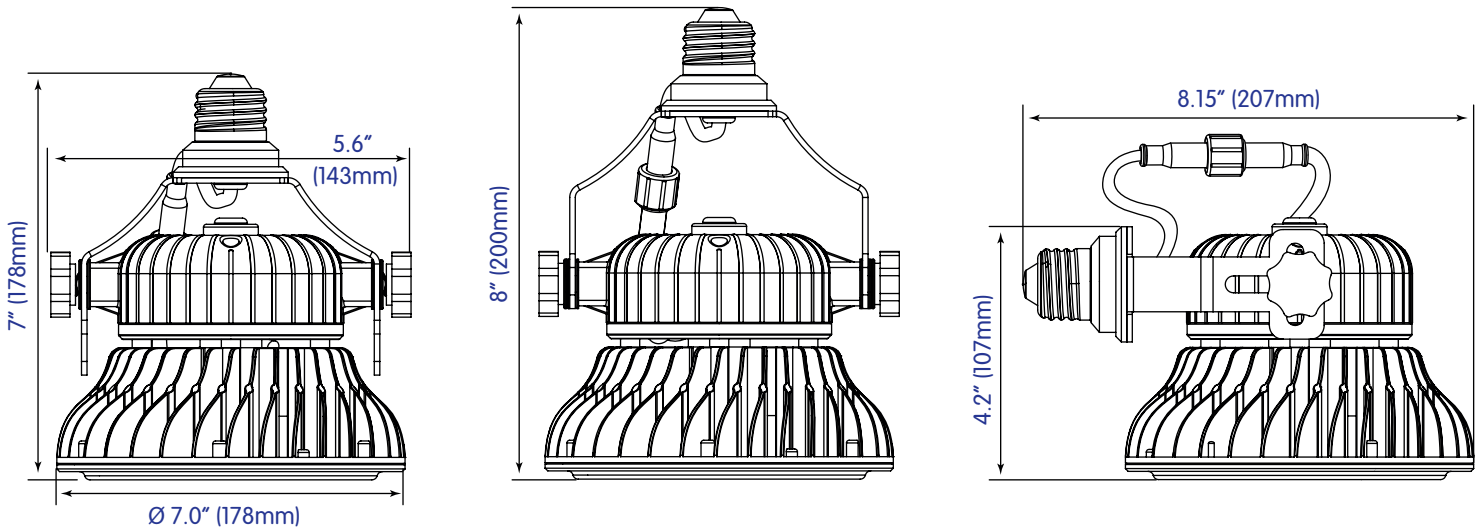
Legend: EX = With EX-39 (Mogul) Base GX = With GX16D Adapter WC = With WC2 Adapter

- Minimum Lamp Compartment Dimensions for Enclosed Fixtures: 8" x 8" x 11" (203mm x 203mm x 280mm)
- To Prevent early Lamp Failure, Lamp should only be installed in Operating Environments ranging from a Minimum of -40°F (-40°C) to a Maximum of +131°F (+55°C)
- 0-100% Smooth Triac or 0-10VDC Continuous Dimming without Flicker, Pulse, or Stepping
- Universal Voltage: 100~277VAC
- Protection: IP65
- Max. THD (%): <20%
- Efficacy: Up to 166 LpW
- High CRI: >90+
- Rated Life: 50~60,000 Hrs.*
- Standard Beam Angle: 120°
- Power Factor: >0.9
- Warranty: 5 Years
- Ambient Working Temp.: -40°F~+131°F (-40°C~+55°C)
- 3000°K~4000°K~ 5000°K Standard CCT. Products with 2400°-6500°K (CCT) are available as "Special Orders" only and with Longer Lead Times

* Depending upon the ambient temperature of the installation location



Dimensions: (Shown with EX-39 [Mogul] Base)



U.S. Patents: US D860,481 S and US D860,481 S-1

HyLite is providing this information to the general public only. Please note that all products contained herein are either Trademarked, Copyrighted, and/or have Patents or Patents Pending. Any use of these Designs is Strictly Prohibited. HyLite LED, LLC. Protects its Proprietary Information Vigorously in the Courts of the United States of America.

Installation: HyLite LED Lotus Dimmable Lamps are Suitable for Use with 100~277VAC Input Voltage. Ballast (if equipped) must be Bypassed or Removed from the Fixture before installing the Lamp. Eliminating the Ballast saves Additional Costs related to Maintenance, Energy Consumption and Performance. By-passing Ballast will also ensure that there is no EMI/RF interference.

Warning: Failure to follow these Instructions will result in a Damaged Product and will VOID Warranty. It could also result in an Electric Shock, or Fire.



NO
LEAD, MERCURY,
HEAVY METALS
OR TOXIC GASES



98%
RECYCLABLE

Ideal for High-Quality illumination in:

- High Ceilings
- Studio Lighting
- Track Lighting
- Stage Lighting
- Spot Lighting
- Down Lights
- Accent Lighting
- Flood Lighting
- Low & High Bay Lighting
- Canopy Lights
- Decorative Lighting
- Site Lighting
- Pendant Lights
- Freezer & Cold Storage Lights
- Barn Lights



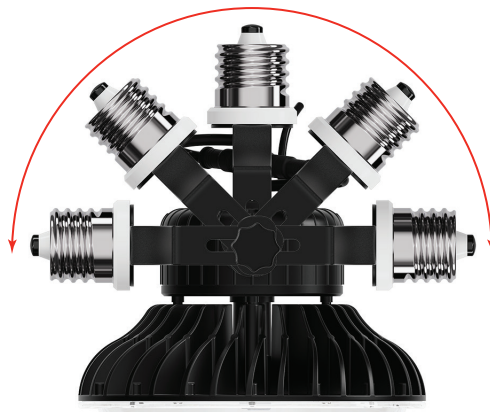
Multiple Beam Angles for Ideal Light Distribution

15° - Spot Beam 25° - Narrow Flood Beam 40° - Flood Beam 120° - Wide Flood Beam

Versatile and Adjustable - Use in Multiple Positions, Different Lengths and Various Angles for Directional Lighting



Multiple Adjustable Lengths
to Suit Tight Spaces



LED
Lotus Lamp™
Dual Wattage
40W-60W

Triac &
0-10VDC
Dimmable

180° Adjustable Angle for Directional Lighting
- Orient in any Position for Maximum Luminance

SAVE UP TO
88%
ON YOUR
ENERGY COSTS

Multi-CCT
3000K
4000K
5000K

Universal
Voltage
AC 100-277VAC

Dual Wattage and
Color Selectable



Versatile - Can be Used with Multiple Connectors: Screw-in with EX-39 (Mogul) Base, with GX16D Adapter or with WC2 (Pigtail) Adapter



Default Settings: 60W ; CCT: 3000K



Lotus Lamp with
EX-39 (Mogul) Base

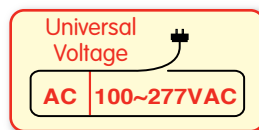
Quick Adapters



HL-QA-GX16D-LS
GX16D Quick Adapter



Lotus Lamp with
GX16D Quick Adapter



HL-LS-WC2
2 Ft. (60cm)
Whip Connector
Quick Adapter



Lotus Lamp with
WC2 Quick Adapter