



# HLF2

## High Lumen LED Floodlight

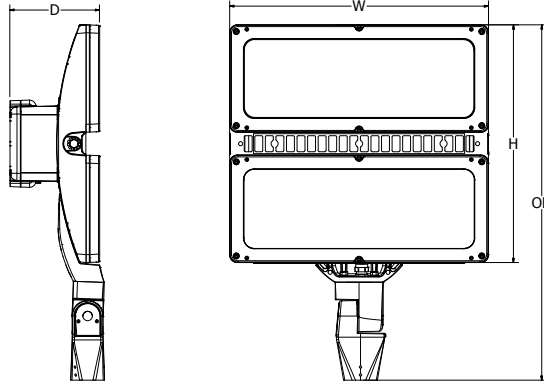


Catalog Number
Notes
Type

Hit the Tab key or mouse over the page to see all interactive elements.

### Specifications

<b>EPA:</b>	(@45°): 4.2 ft <sup>2</sup> (0.39 m <sup>2</sup> )
<b>Depth:</b>	8.5" (21.6 cm)
<b>Width:</b>	24.5" (62.2 cm)
<b>Height:</b>	22.5" (57.2 cm)
<b>Overall Height:</b>	33.7" (85.6 cm)
<b>Weight (IS mount):</b>	82 lbs (37.2 kg)



### Introduction

The HLF LED Flood family offers maximum versatility for high output floodlighting design and renovation applications. HLF precision optics offer vast design capabilities while delivering significant energy savings and long life. The HLF2 delivers 50,000 to 106,000 lumens allowing it to replace 1000W and 1500W HID floodlights.

The HLF features an adjustable integral slipfitter that allows the luminaire to be mounted on a 2-3/8" OD tenon. Integral cover/wire box serves as an approved splice compartment allowing for fast, easy mounting and wiring without opening the electrical compartment. A steel yoke mount with water-tight SO cord is also available. All configurations are made in North America allowing for quick delivery.

### Ordering Information

**EXAMPLE:** HLF2 LED P6 40K WFL MVOLT IS DDBXD

HLF2 LED					
Series	Performance package	Color temperature	Distribution	Voltage	Mounting
HLF2 LED	P1	30K 3000 K	WFL Wide flood (7x7)	MVOLT <sup>1</sup>	<b>Shipped included</b> IS Integral slipfitter (fits 2-3/8" O.D. tenon) YKC64 Yoke with 4ft, 16-3 SO cord
	P2	40K 4000 K	MFL Medium flood (6x6)	120 <sup>2</sup>	
	P3	50K 5000 K	MNFL Medium narrow flood (68°)	208 <sup>2</sup>	
	P4		NFL Narrow flood (43°)	240 <sup>2</sup>	
	P5		SP Spot (29°)	277 <sup>2</sup>	
	P6		NSP Narrow Spot (18°)	347 <sup>2</sup> 480 <sup>2</sup>	

Options		Finish (required)
<b>Shipped installed</b> PER7 Seven-wire receptacle only (controls ordered separate) <sup>3,4</sup> SF Single fuse (120, 277, 347V) <sup>2</sup> DF Double fuse (208, 240, 480V) <sup>2</sup> DMG 0-10V lead wires extended (no controls) <sup>5</sup> CCE Coastal Construction	<b>Shipped Separately (requires some field assembly)<sup>6</sup></b> UBV Upper/bottom visor (universal) FV Full visor WG Wire guard VG Vandal guard (polycarbonate)	DDBXD Dark bronze DBLXD Black DNAXD Natural aluminum DWHXD White



## Ordering Information

### Accessories

Ordered and shipped separately.

FTS CG6 (FINISH) U	Slipfitter for 2-3/8" to 2-7/8" OD tenons; mates with yoke mount (specify finish)
HLF2WG (FINISH) U	HLF2 wire guard (specify finish) <sup>5</sup>
HLF2FV (FINISH) U	HLF2 full visor (specify finish) <sup>5</sup>
HLF2UBV (FINISH) U	HLF2 upper/bottom visor (specify finish) <sup>5</sup>
HLF2VG (FINISH) U	HLF2 vandal guard (clear polycarbonate, specify finish for mounting brackets) <sup>5</sup>
DSHORT SBK U	Shorting cap <sup>7</sup>
DLL127F 1.5 JU	Photocell - SSL twist-lock (120-277V) <sup>7</sup>
DLL347F 1.5 CUL JU	Photocell - SSL twist-lock (347V) <sup>7</sup>
DLL480F 1.5 CUL JU	Photocell - SSL twist-lock (480V) <sup>7</sup>

### NOTES

1. MVOLT driver operates on any line voltage from 120-277V.
2. Single fuse (SF) requires 120, 277 or 347 voltage option. Double fuse (DF) requires 208, 240 or 480 voltage option.
3. For units with a photocell receptacle, the mounting must be restricted to  $\pm 45^\circ$  from horizontal aim per ANSI C136.10-2010.
4. Compatible with standard twist-lock photocells for dusk to dawn operation or advanced control nodes that provide 0-10V dimming signals. Wire 4/Wire 5 wired to dimming leads on driver. Wire6/Wire7 capped inside luminaire.
5. Not available with option PER7.
6. Can be ordered separately as an accessory. Requires in-field assembly. Guards and visors limited to one accessory type installed on lens frame at any given time.
7. Requires luminaire to be specified with PER7 option. Ordered and shipped as a separate line item from Acuity Brands Controls.

## Mountings/External Shields/Accessories

### Mountings



**IS - Adjustable Slipfitter**  
(fits 2-3/8" O.D. tenon)



**YKC64 - Yoke 4ft,**  
**16-3 SO cord**



**UBV Visor**  
**Top Mounted**



**UBV Visor**  
**Bottom Mounted**



**FV - Full Visor**



**VG- Vandal Guard**

### Accessories

## Accessories/Optics

### Accessories



**WG - Wire Guard**



**Yoke with FTS CG6**  
**(Yoke tenon adapter)**  
**Accessory**

### Optics



**Internal Reflectors**  
**(WFL, MFL)**



**Hybrid silicone optics**  
**(MNFL, NFL, SP, NSP)**

## Performance Data

### Lumen Ambient Temperature (LAT) Multipliers

Use these factors to determine relative lumen output for average ambient temperatures from 0-40°C (32-104°F).

Ambient Temperature		Lumen Multiplier
0°C	32°F	1.05
5°C	41°F	1.04
10°C	50°F	1.03
15°C	59°F	1.02
20°C	68°F	1.01
25°C	77°F	1.00
30°C	86°F	0.99
35°C	95°F	0.98
40°C	104°F	0.97

### Reported LED Lumen Maintenance

Data references the extrapolated performance projections for the platforms noted in a 25°C ambient and hours of LED testing (tested per IESNA LM-80-08 and reported per IESNA M-21-11).

To calculate LLF, use the lumen maintenance factor that corresponds to the luminaire performance package below. For other lumen maintenance values, contact factory.

Optic Type	Performance Package	TM-21 Percent Lumen Maintenance at 60,000 hrs
WFL, MFL	P1 / P2	90%
	P3	88%
	P4 / P5	90%
	P6	87%
MNFL, NFL, SP, NSP	P1	89%
	P2 / P3	87%
	P4	85%

### Electrical Load

Performance Package	System Watts (W)	Current (A)					
		120V	208V	240V	277V	347V	480V
P1	327	2.72	1.57	1.36	1.18	0.94	0.68
P2	405	3.37	1.95	1.69	1.46	1.17	0.84
P3	494	4.12	2.38	2.06	1.78	1.42	1.03
P4	560	4.67	2.69	2.33	2.02	1.61	1.17
P5	650	5.41	3.12	2.71	2.34	1.87	1.35
P6	769	6.41	3.70	3.20	2.77	2.22	1.60

### EPA Table

\*Includes luminaire and integral mounting arm. Other tenons, arms, brackets or other accessories are not included in this EPA data.

Tilt	EPA (ft <sup>2</sup> )
0°	2.4
15°	2.5
30°	2.9
45°	4.2
60°	4.6
90°	5.4



COMMERCIAL OUTDOOR

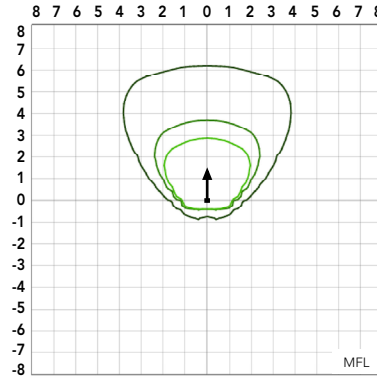
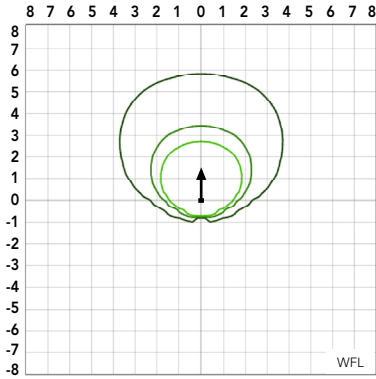
One Lithonia Way • Conyers, Georgia 30012 • Phone: 1-800-705-SERV (7378) • [www.lithonia.com](http://www.lithonia.com)  
© 2014-2024 Acuity Brands Lighting, Inc. All rights reserved.

HLF2  
Rev. 03/19/2024  
Page 2 of 6

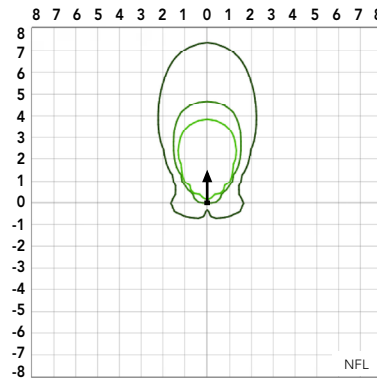
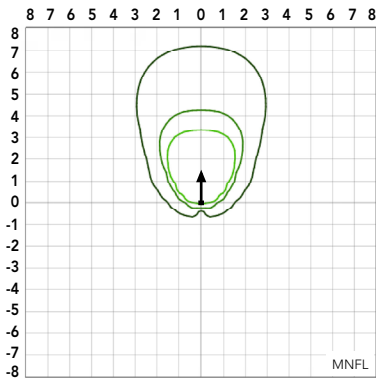
Isofootcandle plots (distances are in units of mounting height noted).

- LEGEND**
- 0.1 fc
  - 0.5 fc
  - 1.0 fc

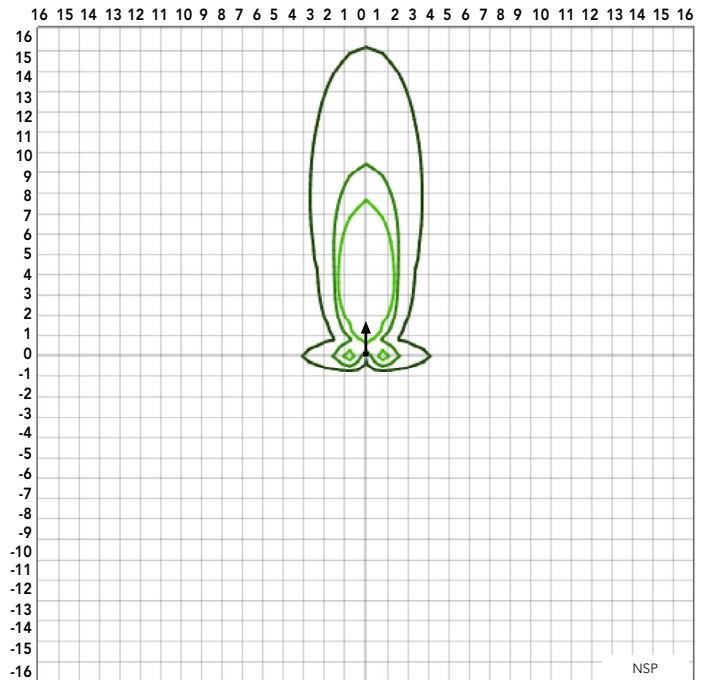
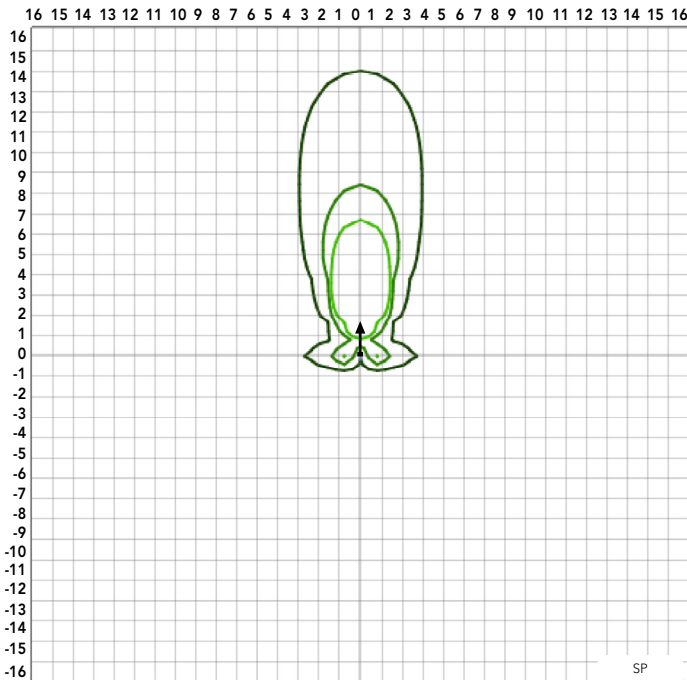
HLF2 LED P6 50K - Luminaires tilted at 45° at 40ft mounting height



HLF2 LED P4 50K - Luminaires tilted at 60° at 40ft mounting height



HLF2 LED P4 50K - Luminaires tilted at 80° at 30ft mounting height



## Performance Data

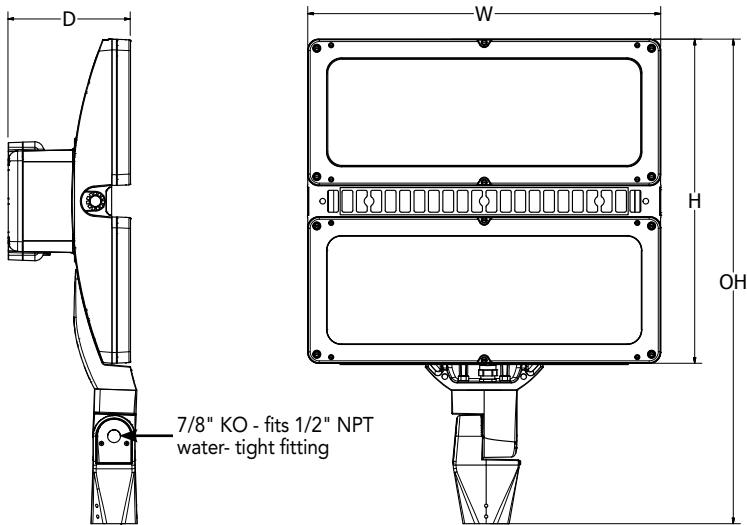
### Lumen Output

Lumen values are from photometric tests performed in accordance with IESNA LM-79-08. Data is considered to be representative of the configurations shown, within the tolerances allowed. Contact factory for performance data on any configurations not shown here.

Performance Package	System Watts	Distribution Type	NEMA Type	Field Angle		Beam Angle		30K (3000K, 70 CRI)			40K (4000K, 70 CRI)			50K (5000K, 70 CRI)		
				°H	°V	°H	°V	Lumens	LPW	Max Cd	Lumens	LPW	Max Cd	Lumens	LPW	Max Cd
P1	327	WFL	7 X 7	143	144	103	106	45,470	139	17,747	46,317	142	18,077	47,158	144	18,405
		MFL	6 X 6	116	124	95	100	47,238	145	19,548	48,118	147	19,912	48,991	150	20,273
		MNFL	5 X 5	93	91	67	68	46,667	144	38,878	47,532	146	39,598	48,397	149	40,319
		NFL	4 X 4	65	61	43	37	47,496	146	94,863	48,376	149	96,621	49,257	152	98,379
		SP	4 X 4	49	47	29	28	46,997	145	168,559	47,868	148	171,682	48,739	150	174,806
		NSP	3 X 3	38	38	19	18	46,735	144	273,131	47,601	147	278,192	48,467	149	283,252
P2	405	WFL	7 X 7	143	144	103	106	54,981	136	21,459	56,006	138	21,859	57,022	141	22,255
		MFL	6 X 6	116	124	95	100	57,119	141	23,637	58,183	144	24,077	59,238	146	24,514
		MNFL	5 X 5	93	91	67	68	55,422	137	46,171	56,449	140	47,027	57,476	142	47,882
		NFL	4 X 4	65	61	43	37	56,407	140	112,660	57,452	142	114,747	58,497	145	116,835
		SP	4 X 4	49	47	29	28	55,814	138	200,181	56,848	141	203,890	57,882	143	207,599
		NSP	3 X 3	38	38	19	18	55,503	137	324,370	56,531	140	330,381	57,560	142	336,391
P3	494	WFL	7 X 7	143	144	103	106	64,603	131	25,214	65,806	133	25,684	67,000	136	26,149
		MFL	6 X 6	116	124	95	100	67,114	136	27,773	68,364	138	28,291	69,604	141	28,804
		MNFL	5 X 5	93	91	67	68	64,681	132	53,885	65,879	134	54,883	67,078	137	55,882
		NFL	4 X 4	65	61	43	37	65,830	134	131,481	67,050	137	133,917	68,270	139	136,353
		SP	4 X 4	49	47	29	28	65,138	133	233,623	66,345	135	237,952	67,552	138	242,281
		NSP	3 X 3	38	38	19	18	64,775	132	378,560	65,976	135	385,574	67,176	137	392,589
P4	560	WFL	7 X 7	143	144	103	106	76,489	137	29,853	77,915	139	30,409	79,328	142	30,961
		MFL	6 X 6	116	124	95	100	79,463	142	32,883	80,943	145	33,496	82,412	147	34,104
		MNFL	5 X 5	93	91	67	68	70,712	128	58,910	72,023	130	60,001	73,333	132	61,093
		NFL	4 X 4	65	61	43	37	71,969	130	143,741	73,302	132	146,405	74,636	135	149,068
		SP	4 X 4	49	47	29	28	71,212	128	255,409	72,532	131	260,142	73,851	133	264,874
		NSP	3 X 3	38	38	19	18	70,816	128	413,861	72,128	130	421,530	73,440	132	429,198
P5	650	WFL	7 X 7	143	144	103	106	86,974	134	33,945	88,594	136	34,578	90,202	139	35,205
		MFL	6 X 6	116	124	95	100	90,355	139	37,391	92,038	142	38,087	93,708	144	38,778
P6	769	WFL	7 X 7	143	144	103	106	98,481	128	38,436	100,316	131	39,152	102,136	133	39,863
		MFL	6 X 6	116	124	95	100	102,309	133	42,338	104,216	136	43,127	106,106	138	43,909

## Dimensions

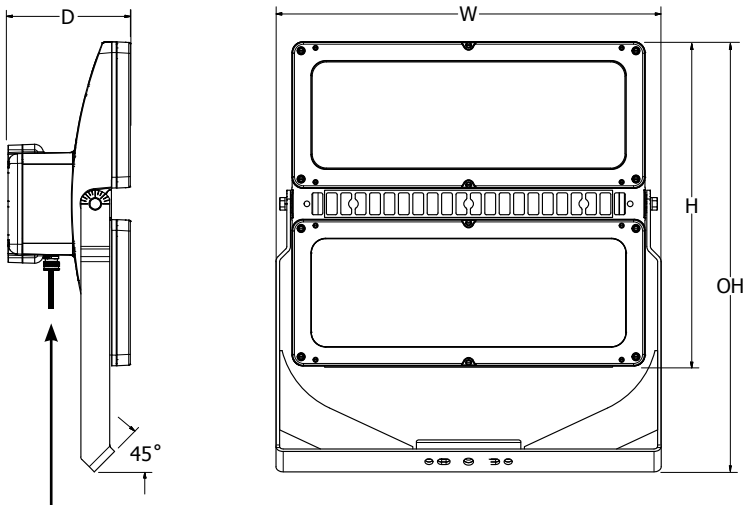
### HLF2 with Adjustable Slipfitter (IS)



(IS) mount slipfitter mounts onto 2 3/8" OD tenon

Width: 24.5" (62.2 cm)  
 Depth: 8.5" (21.6 cm)  
 Height: 22.5" (57.2 cm) main body  
 Overall: 33.7" (85.6 cm) with arm  
 Weight: 82 lbs

### HLF2 with Yoke (YKC64)



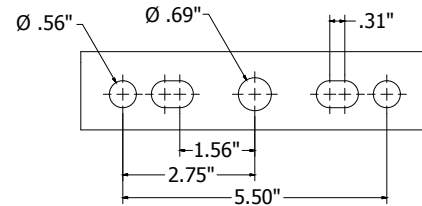
Note: Standard cord is 16-3 wire, 4 ft cord. Other lengths can be specified.

Ex: YKC64

YK = Yoke Mount  
 C6 = 16 gage, 3 wire cord  
 4 = 4 feet (5 = 5ft, 6 = 6ft, etc.)

Width: 26.8" (68.1 cm)  
 Depth: 8.5" (21.6 cm)  
 Height: 22.5" (57.2 cm) main body  
 Overall: 29.9" (75.9 cm) with arm  
 Weight: 85 lbs

### Yoke (YK) Mounting Detail



## FEATURES & SPECIFICATIONS

### INTENDED USE

The contemporary design of the HLF LED High Lumen Floodlight embodies high performance LED technology with precision optics offering maximum versatility in designing for high output lighting applications. The HLF2 delivers 50,000 to 106,000 lumens. It is ideal for commercial applications including new construction or replacing 1000W, (2) 1000W or 1500W HID floodlights. HLF may be used for lighting large signage, monuments, large building facades large yards, recreational sports fields and many other commercial applications.

### CONSTRUCTION

The HLF LED floodlight features rugged die-cast aluminum construction with integral heat sink fins that optimize thermal management through conductive and convective cooling. A diecast isolated driver compartment protects LED drivers that are mounted in direct contact with the casting away from the LED heat source, to promote low operating temperature and long life. Integral adjustable slipfitter mounts on a 2 3/8" OD tenon. The adjustable slipfitter has an integral junction box for easy installation. The heat sink, housing, lens frame and driver compartment are sealed against moisture and environmental contaminants to IP66. HLF2 is 1.5G vibration rated per ANSI C136.31.

### FINISH

Exterior parts are protected by a zinc-infused Super Durable TGIC thermoset powder coat finish that provides superior resistance to corrosion and weathering. A tightly controlled multi-stage process ensures superior adhesion as well as a minimum finish thickness of 3 mils. The result is a high-quality finish that is warrantied not to crack or peel.

### COASTAL CONSTRUCTION (CCE)

Optional corrosion resistant construction is engineered with added corrosion protection in materials and/or pre-treatment of base material under super durable paint. Provides additional corrosion protection for applications near coastal areas. Finish is salt spray tested to over 5,000 hours per ASTM B117 with scribe rating of 10. Additional lead-times may apply.

### OPTICS

HLF features both specular aluminum and silicone based "hybrid" type optics that are engineered for superior field-to-beam ratios, uniformity, and spacing. Six photometric distributions are available including wide pattern distributions Wide Flood, Medium Flood, and narrow pattern distributions Medium Narrow Flood, Narrow Flood, Spot and Narrow Spot. Optional visors minimize uplight and reduce light trespass.

### ELECTRICAL

Light engines consist of chip-on-board (COB) LEDs directly coupled to the housing to maximize heat dissipation and promote long life. LED lumen maintenance is >L87/60,000 hours for WFL/MFL optics and >L85/60,000 hours for Hybrid optics. CCT's of 3000K, 4000K, and 5000K (minimum 70 CRI) are available. Class 1, continuous dimming 0-10V drivers. 90% and THD <20%. Serviceable 10kV surge protection device meets a minimum Category C low operation (per ANSI/IEEE C62.41.2).

### CONTROLS

HLF features an optional NEMA twist-lock 7-pin photocell receptacle that is compatible with standard twist-lock photocells for dusk to dawn operation or advanced control nodes that provide 0-10V dimming signals. Standard wiring will be per following: Wire 1/2/3 as normal (hot input, switch leg and neutral). Wire 4/Wire 5 wired to dimming leads on driver. Wire6/Wire7 capped inside luminaire.

### INSTALLATION

The die-cast integral "IS" mount features an adjustable slipfitter that mounts on a 2 3/8" OD tenon and features a 0° to 185° full range tilt adjustment in 5° increments. The slipfitter has an integral junction box and offers easy installation, wiring and precision distribution pattern aiming. A steel yoke "YK" mount (die-formed 1/4" thick plate steel) is available and includes a water tight cord grip and cord. HLF features a glass lens enclosure that is protected to IP66 and is rated for lighting aimed up above 90°. Suitable for mounting within 4 feet of ground.

### LISTINGS

CSA Certified to meet U.S. and Canadian standards. Suitable for wet locations. Rated for -40°C minimum ambient. DesignLights Consortium® (DLC) qualified product. Not all versions of this product may be DLC qualified. Please check the DLC Qualified Products List at [www.designlights.org/QPL](http://www.designlights.org/QPL) to confirm which versions are qualified.

### WARRANTY

5-year limited warranty. This is the only warranty provided and no other statements in this specification sheet create any warranty of any kind. All other express and implied warranties are disclaimed. Complete warranty terms located at: [www.acuitybrands.com/support/warranty/terms-and-conditions](http://www.acuitybrands.com/support/warranty/terms-and-conditions)

**Note:** Actual performance may differ as a result of end-user environment and application. All values are design or typical values, measured under laboratory conditions at 25 °C. Specifications subject to change without notice.