

PROJECT NAME: _____ CAT. #: _____

NOTES: _____ FIXTURE SCHEDULE: _____

LED High Bay Linear

HLV Series

Product Description

The new HLV Value series Linear Highbay offers an industry leading efficacy (150lm/W), customizability with CCT select switch (3500K, 4000K & 5000K) and scalability with a Wattage select model (3 levels), for high ceiling applications such as warehouses, distribution centers, manufacturing facilities and big box retailers. This die-cast compact highbay covers a wide range of applications with 17,000 lumens at just 1.4 ft length, all the way up to 60,000 lumens at 3.7 ft length. The product comes integrated with the patented c-Max USB port for true in-field plug and play sensor installation, compatible with Maxlite c-Max system (DLC NLC qualified), making it attractive for large utility rebates

Features

- Die Cast Housing for excellent thermal mangement
- DLC premium Listed with 150 LPW efficacy
- V-hooks and 40" knotted chain included in standard model
- On EM mode, the fixture output is a minimum of 2400 lumens for 90 minutes, when fully charged
- 3 CCT Selectable available on all wattages (3500K, 4000K, & 5000K).
- Fixtures are set to 5000K as a default factory setting
- Tool-less lens swap for Aisle Distribution (Narrow beam)
- UL Listed for damp locations

Warranty

- 10 year standard

Controls Ready

MaxLite's new Controls Ready (CR) fixtures allows for quick and easy in-field installation (plug and play) of controls. Simply purchase any CR fixture and the required Controls Node and you're all set! See the accessory table for all controls options available for this fixture.

Controls Features

- Multifunction and Energy Monitoring
- Daylight Sensor
- Occupancy Sensor
- Integral Sensor Receptacle
- High-End Trim
- Bluetooth
- Luminaire Level Lighting Control (LLLC)



Ordering Information

FAMILY	SELECTABLE WATTAGE	VOLTAGE	LENS	CCT SELECT	CONTROLS READY	BBU OPTIONS	CORDS & PLUGS ¹
HLV = Highbay Linear Eco	080W = 80W 100W 120W 135W = 135W 165W 195W 220W = 220W 255W 290W 300W = 300W 355W 400W	U = 120-277V	F= Frosted	CS = Color Selectable -3500K -4000K -5000K	CR = Controls Ready	BLANK = None EM = Battery Backup E2 = Made to Order Battery Backup	BLANK = None CW = White Cord CB = Black Cord C1 = 10-FT 3 Wire Cord W 5-15P (120V, 15A) C2 = 10-FT 3 Wire Cord W L7-15P (277V, 15A)

1. Contact Maxlite if Cord and Plug options are required for Emergency Back Up units.

LED High Bay Linear

HLV Series

Stocked Items

ORDER CODE	MODEL NUMBER	DLC PRODUCT ID#	PRIMARY USE DESIGNATION	CLASSIFICATION
112528	HLV-080WUF-CSCR	S-D56LX8	High-Bay Luminaires for Commercial and Industrial Buildings	DLC Premium
112529	HLV-135WUF-CSCR	S-5VL660		
112530	HLV-220WUF-CSCR	S-WHKNMY		
112531	HLV-300WUF-CSCR	S-B8K0MY		
112812	HLV-300WHF-CSCR	-		

Accessories (Sold Separately)

ORDER CODE	MODEL NUMBER	DESCRIPTION	IMAGE
112544	HLV-NLENS1	NARROW LENS 45X90 DEGREE FOR HLV 1 FT 80W (WATT SELECT). 2 PIECES	
112545	HLV-NLENS2	NARROW LENS 45X90 DEGREE FOR HLV 1.5 FT 135W (WATT SELECT). 2 PIECES	
112546	HLV-NLENS3	NARROW LENS 45X90 DEGREE FOR HLV 2 FT 220W (WATT SELECT). 2 PIECES	
112547	HLV-NLENS4	NARROW LENS 45X90 DEGREE FOR HLV 2.4 FT 300W (WATT SELECT). 2 PIECES	
112687	HLV-PMKIT**	PIPE MOUNT KIT (1.1" DIA) HLV 1 FT, 1.5 FT, 2 FT, 2.4 FT (FOR 120-277V MODELS, SELECT HV MODELS) W/ HARDWARE. NOT COMPATIBLE WITH SELECT EM, E2 OPTION	
112686	HLV-SMKIT*	SURFACE MOUNT KIT FOR HLV 1 FT, 1.5 FT, 2 FT, 2.4 FT (FOR 120-277V MODELS AND HV MODELS) WITH HARDWARE. NOT COMPATIBLE WITH EM	
112682	HLV-WGW1	WIREGUARD FOR 1 FT HLV WITH HARDWARE	
112683	HLV-WGW2	WIREGUARD FOR 1.5 FT HLV WITH HARDWARE	
112684	HLV-WGW3	WIREGUARD FOR 2 FT HLV WITH HARDWARE	
112685	HLV-WGW4	WIREGUARD FOR 2.4 FT HLV WITH HARDWARE	

* Emergency Battery Back Up with HLV-SMKIT is possible only with E2 suffix in lengths except 1ft (HLV-080W)

** Emergency Battery Back Up with HLV-PMKIT is possible only with EM suffix in lengths except 1ft (HLV-080W) and 1.5ft (HLV-135W)

** High Voltage Models with HLV-PMKIT is possible only in length of 2.4ft (HLV-300W)

LED High Bay Linear HLV Series

c-Max Controls Micro-sites and Compatibility Guide

 BASIC LIGHTING CONTROLS 	 NETWORK LIGHTING CONTROLS 	 Product Compatibility Guide
 EasyRF™ LIGHTING CONTROLS 	 NETWORK PARTNERS 	

Compatible Controls (SOLD SEPARATELY)+

The table below shows a small subset of control nodes from each tier that directly plug in with the fixture. Refer to individual microsites above for more accessories that could be added based on application requirements.

ORDER CODE	MODEL NUMBER & LINK TO DATA SHEET	DESCRIPTION	QR CODE TO DATA SHEET	IMAGE
c-Max Basic				
105567	CN-REMOTE	CONTROL NODE REMOTE CONTROL		
105565	CN-RDMSW	CONTROL NODE ROUND, WHITE		
c-Max Network				
106391	NN-RDW	NETWORK NODE ROUND, WHITE		
105905	NN-RDMSW	NETWORK NODE ROUND, PIR MOTION SENSOR/DAYLIGHT HARVESTING, WHITE		
c-Max EasyRF				
111891	RF-RDMSW	EasyRF NODE ROUND, PIR MOTION SENSOR/DAYLIGHT HARVESTING, WHITE		
110962	RF-REMOTE	EasyRF REMOTE CONTROL COMMISSIONING TOOL		
c-Max Network Partners - Silvoir				
111150	NN-RDMSW-SL	SILVAIR NETWORK NODE ROUND, PIR MOTION SENSOR/DAYLIGHT HARVESTING, WHITE		
111149	NN-RDW-SL	SILVAIR NETWORK NODE ROUND, WHITE		
c-Max Network Partners - Casambi				
112430	NN-RDMSW-CA	CASAMBI NETWORK NODE ROUND, PIR MOTION SENSOR/DAYLIGHT HARVESTING, WHITE		
112431	NN-RDW-CA	CASAMBI NETWORK NODE ROUND, WHITE		

¹ Maxlite recommends CN-RTPSW (PIR) sensor for most applications with this fixture. If CN-RTMST (microwave) is required for an application, Maxlite recommends a pilot test to confirm there is no interference that causes unexpected responses from the microwave sensor. For additional options and c-Max network Partners components check Maxlite.com/cmox

* Note - This controls ready fixture is compatible with the c-Max platform supporting multiple tiers of controls. The table above shows a small subset of control nodes from each tier that directly plug in with the fixture. Refer to individual microsite above for more accessories that could be added based on application requirements

LED High Bay Linear

HLV Series

Specifications

Specifications	HLV-080W			HLV-135W		
	Length	1.0 FT			1.5 FT	
Nominal Wattage (W) ²	80	100	120	135	165	195
Lumens Delivered (lm)	13,100	15,800	18,400	20,900	24,900	29,000
Nominal Efficacy (lm/W)	162	159	153	155	151	146
Lumens Delivered at BBU mode (lm) ³	2400 lm with EM suffix- for 90 minutes, when fully charged 6000 lm with E2 suffix- for 90 minutes, when fully charged					
CCT ¹	3500K, 4000K, 5000K					
CRI	≥ 80					
Calculated L70 Lumen Maintenance	≥ 100,000 hrs					
Beam Angle	90° x 90° (45° x 90° Narrow Beam Lens Option is available)					
Dimming Technology	0-10V					
Dimming Range	0-100%					
Input Voltage ⁵	120-277V AC					
Input Frequency	50/60Hz					
Surge Protection	10 kV					
Power Factor	≥0.9					
Mounting	Suspended (Chain and V Hooks - Standard)					
Housing	Aluminum/ Iron Housing					
Diffuser	Frosted Polycarbonate					
Finish	White					
Operating Temperature	-40°F to 122°F (-40°C to 50°C), except sensor or BBU models. BBU models: 41°F to 122°F (5°C to 50°C) Refer to Operating Temperature Table for more information.					
Storage Humidity	10% - 95%					
Certifications	UL listed, RoHS Compliant, FCC					
Qualifications	DLC Premium for 120-277 version					
Environment	Indoor - Damp locations					
Warranty	10 Year warranty. Check maxlite.com/warranties for details.					
Product Weight	3.8 lbs			6.2 lbs		

1. Factory default CCT is 5000K.

2. Factory default wattage is set to lowest value.

3. In BBU mode, only portion of the highbay is illuminated. Default CCT is 5000K at BBU mode.

LED High Bay Linear

HLV Series

Specifications	HLV-220W			HLV-300W		
Length	2.0 FT			2.4 FT		
Nominal Wattage (W) ²	220	255	290	300	355	400
Lumens Delivered (lm)	34,000	38,500	42,300	46,800	54,000	59,200
Nominal Efficacy (lm/W)	155	151	146	156	152	148
Lumens Delivered at BBU mode (lm) ³	2400 lm with EM suffix- for 90 minutes, when fully charged 6000 lm with E2 suffix- for 90 minutes, when fully charged			2400 lm with EM suffix- for 90 minutes, when fully charged 9000 lm with E2 suffix- for 90 minutes, when fully charged		
CCT ¹	3500K, 4000K, 5000K					
CRI	≥ 80					
Calculated L70 Lumen Maintenance	≥ 100,000 hrs					
Beam Angle	90° x 90° (45° x 90° Narrow Beam Lens Option is available)					
Dimming Technology	0-10V					
Dimming Range	0-100%					
Input Voltage ⁵	120-277V AC					
Input Frequency	50/60Hz					
Surge Protection	10 kV					
Power Factor	≥0.9					
Mounting	Suspended (Chain and V Hooks - Standard)					
Housing	Aluminum/ Iron Housing					
Diffuser	Frosted Polycarbonate					
Finish	White					
Operating Temperature	-40°F to 122°F (-40°C to 50°C), except sensor or BBU models. BBU models: 41°F to 122°F (5°C to 50°C) Refer to Operating Temperature Table for more information					
Storage Humidity	10% - 95%					
Certifications	UL listed, RoHS Compliant, FCC					
Qualifications	DLC Premium for 120-277 version					
Environment	Damp locations					
Warranty	10 Year warranty. Check maxlite.com/warranties for details.					
Product Weight	8.0 lbs			12.4 lbs		

1. Factory default CCT is 5000K.

2. Factory default wattage is set to lowest value.

3. In BBU mode, only portion of the highbay is illuminated. Default CCT is 5000K at BBU mode.



LED High Bay Linear HLV Series

Operating Temperature (For 120-277V Models)

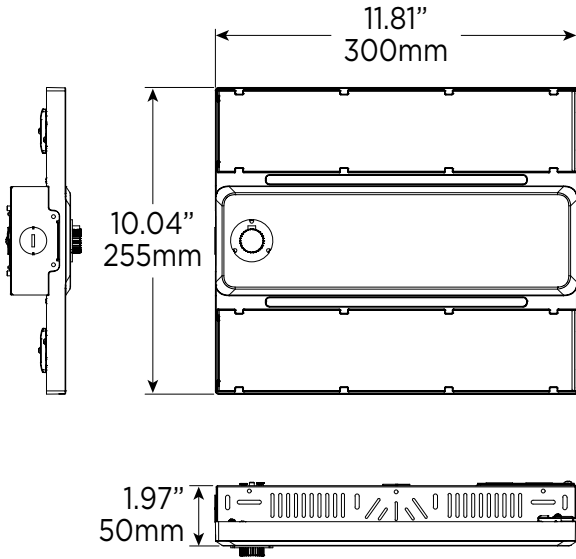
Model Number & Length of Housing		120-277V Luminaire	120-277V Luminaire with Battery Back Up Unit (EM/ E2 suffix)	120-277V Luminaire with HLV-SMKIT	120-277V Luminaire with Battery Back Up Unit (EM Suffix) and HLV-SMKIT	120-277V Luminaire with Battery Back Up Unit (E2 Suffix) and HLV-SMKIT	120-277V Luminaire with HLV-PMKIT	120-277V Luminaire with Battery Back Up Unit (EM Suffix) and HLV-PMKIT	120-277V Luminaire with Battery Back Up Unit (E2 Suffix) and HLV-PMKIT
HLV-080W	1.0 ft	-40°F to 122°F (-40°C to 50°C)	41°F to 122°F (5°C to 50°C)	-40°F to 122°F (-40°C to 50°C)	N/A	N/A	-40°F to 122°F (-40°C to 50°C)	N/A	N/A
HLV-135W	1.5 ft	-40°F to 122°F (-40°C to 50°C)	41°F to 122°F (5°C to 50°C)	-40°F to 122°F (-40°C to 50°C)	N/A	41°F to 122°F (5°C to 50°C)	-40°F to 122°F (-40°C to 50°C)	N/A	N/A
HLV-220W	2 ft	-40°F to 122°F (-40°C to 50°C)	41°F to 122°F (5°C to 50°C)	-40°F to 122°F (-40°C to 50°C)	N/A	41°F to 122°F (5°C to 50°C)	-40°F to 122°F (-40°C to 50°C)	41°F to 122°F (5°C to 50°C)	N/A
HLV-300W	2.4 ft	-40°F to 122°F (-40°C to 50°C)	41°F to 122°F (5°C to 50°C)	-40°F to 122°F (-40°C to 50°C)	N/A	41°F to 122°F (5°C to 50°C)	-40°F to 122°F (-40°C to 50°C)	41°F to 122°F (5°C to 50°C)	N/A

Height of Housing with Battery Back Up Unit installed

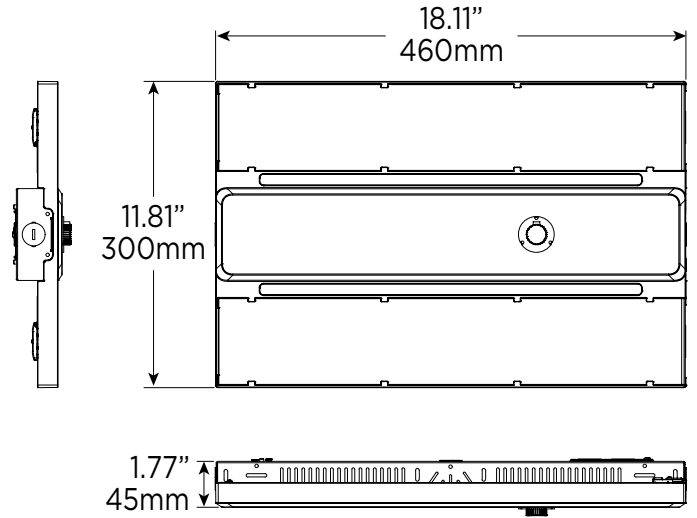
Model Number & Length of Housing		120-277V Luminaire with Battery Back Up Unit (EM suffix)	120-277V Luminaire with Battery Back Up Unit (E2 suffix)
HLV-080W	1 ft	3.82 inches	4.19 inches
HLV-135W	1.5 ft	3.62 inches	3.99 inches
HLV-220W	2 ft	3.62 inches	3.99 inches
HLV-300W	2.4 ft	3.82 inches	4.19 inches

LED High Bay Linear HLV Series

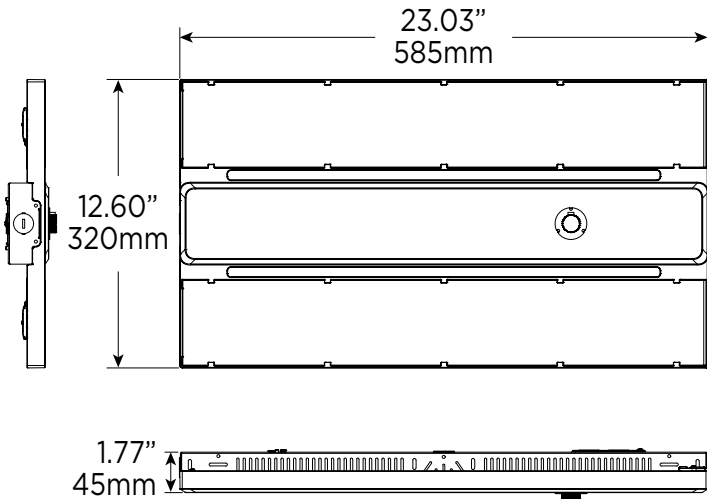
Dimensions (For 120-277V Models)



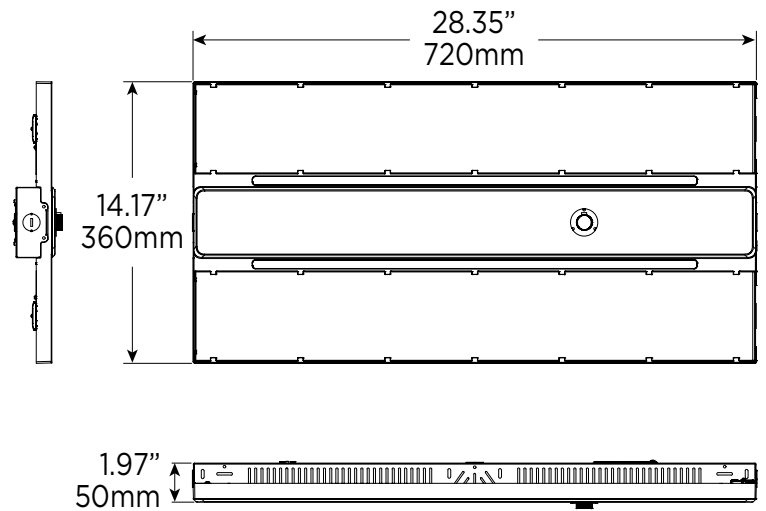
1 FT - HLV-080W
80W/100W/120W (Wattage Selectable)



1.5 FT - HLV-135W
135W/165W/195W (Wattage Selectable)



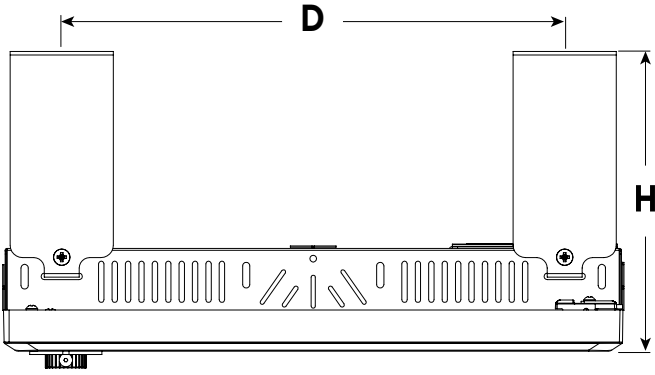
2 FT - HLV-220W
220W/255W/290W (Wattage Selectable)



2.4 FT - HLV-300W
300W/355W/400W (Wattage Selectable)

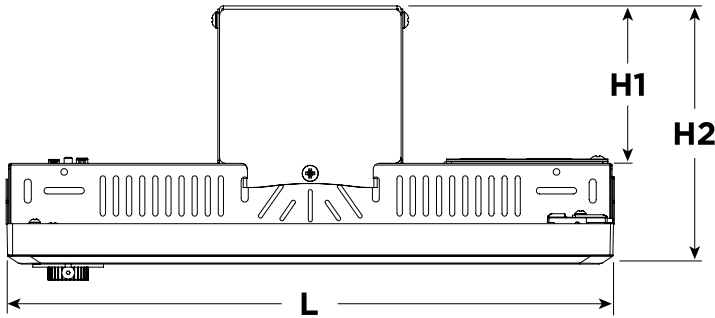
LED High Bay Linear HLV Series

Surface Mount Kit Dimensions (For 120-277V Models)



MODEL NUMBER	(L) LENGTH OF FIXTURE	(D) INNER DISTANCE BETWEEN THE 2 SMK BRACKETS
HLV-080W (120-277V)	1.0 ft	9.61" (244mm)
HLV-135W (120-277V)	1.5 ft	14.96" (380mm)
HLV-220W (120-277V)	2.0 ft	19.69" (500mm)
HLV-300W (120-277V)	2.4 ft	25.19" (640mm)

Pipe Mount Kit Dimensions (For 120-277V Models)



MODEL NUMBER	(L) LENGTH OF FIXTURE	(H1) HEIGHT FROM TOP OF BRACKET TO TOP OF HOUSING	(H2) HEIGHT FROM TOP OF BRACKET TO BOTTOM OF HOUSING
HLV-080W (120-277V)	1.0 ft	3.07" (78mm)	5.04" (128mm)
HLV-135W (120-277V)	1.5 ft	3.07" (78mm)	4.84" (123mm)
HLV-220W (120-277V)	2.0 ft	3.07" (78mm)	4.84" (123mm)
HLV-300W (120-277V)	2.4 ft	3.07" (78mm)	5.04" (128mm)