



# Centium T5HO

## CENTIUM ELE BALLAST (2) F24T5/HO 120-277V

No matter what the conditions require, operating at a variety of line voltages between 120V to 480V, whether located in high ambient temperature environments (requiring a 90° C rating) or not, our family of Philips Advance Centium ballasts are ideal for a wide variety of applications.

### Product data

#### • General Characteristics

|                           |                        |
|---------------------------|------------------------|
| Lamp Type                 | F24T5/HO               |
| Number of Lamps           | 1/2 piece              |
| Input Voltage             | 120-277 V              |
| Line Frequency            | 50/60 Hz               |
| Ballast Type              | Electronic Fluorescent |
| Base Model                | ICN2S24N               |
| Housing                   | N                      |
| Housing Dimensions        | 9.5" x 1.3" x 1.0"     |
| Housing Material          | Metal                  |
| Suitable for Outdoor use? | Yes                    |
| Starting Method           | Programmed Start       |
| Family Name               | Centium                |

#### • Operating Characteristics

|                           |         |
|---------------------------|---------|
| Automatic restart         | Yes     |
| Ignition time             | 1.5 s   |
| Input Power Gear          | 54-53 W |
| Ballast factor            | 1.03 -  |
| Ballast Efficacy Factor   | 1.91 -  |
| Power Factor              | 0.98    |
| Lamp Current Crest Factor | 1.7 -   |
| Sound Rating              | A       |
| Max THD                   | 10 %    |

#### • Wiring Characteristics

|                        |               |
|------------------------|---------------|
| Color input terminals  | No terminals  |
| Color output terminals | No terminals  |
| Connector type         | No connector  |
| Wire Striplength       | 0.50/0.375 mm |
| Lamp Connection        | Series        |
| Wire Gauge             | 18AWG         |

|                                 |                |
|---------------------------------|----------------|
| Wire Length by Color            | See data sheet |
| Wire Type                       | Solid          |
| Allowed Wiring Config(Remote)   | Yes            |
| Allowed Wiring Config(Tandem)   | Yes            |
| Allowed Wiring Config(Through)  | Yes            |
| Max Dist. Ball to Lamp(Remote)  | 20'            |
| Max Dist. Ball to Lamp(Tandem)  | Blue = 20'     |
| Max Dist. Ball to Lamp(Through) | Blue = 20'     |

#### • System Chars on driver level

|                  |     |
|------------------|-----|
| Rated Lamp Watts | 24W |
|------------------|-----|

#### • Temperature Characteristics

|                |      |
|----------------|------|
| T-case maximum | 70 C |
|----------------|------|

#### • Product Dimensions

|           |         |
|-----------|---------|
| Length A1 | 9.50 in |
| Length A2 | 8.90 in |
| Width B1  | 1.30 in |
| Height C1 | 1.00 in |

#### • Approval & Application Chars

|                   |                  |
|-------------------|------------------|
| EMC Immunity      | FCC Non-Consumer |
| Approbation Marks | UL, CSA, RoHS    |
| UL Listed         | Yes              |
| CSA certificate   | Yes              |

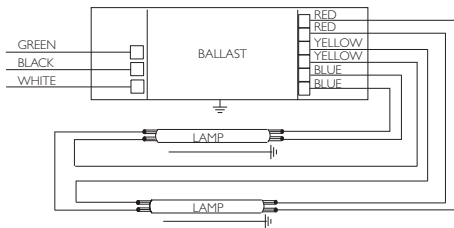
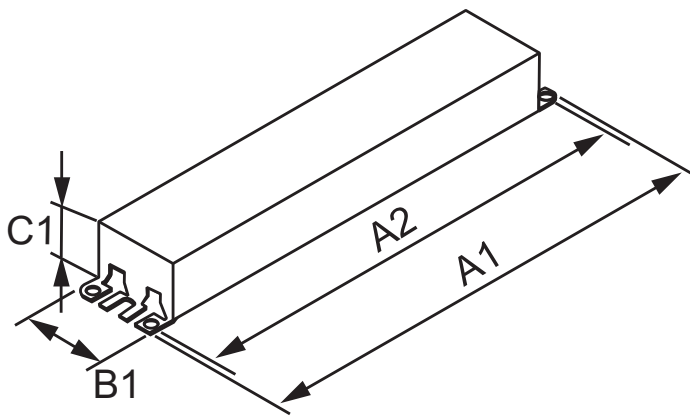
**PHILIPS**

|                  |     |
|------------------|-----|
| CEC Listing      | Yes |
| CEE Rated        | No  |
| Circle E logo    | No  |
| CSA E            | No  |
| cUL certificate  | No  |
| DOE              | No  |
| Energy Star      | No  |
| FIDE Certificate | No  |
| NEMA Premium     | No  |
| NOM certificate  | Yes |
| RoHS Compliant   | Yes |
| SASO Certificate | No  |
| UL Recognized    | No  |

## • Product Data

|                    |                                   |
|--------------------|-----------------------------------|
| Product number     | ICN2S24N35M                       |
| Full product name  | ELE BALLAST (2) F24T5/HO 120-277V |
| Short product name | ELE BALLAST (2) F24T5/HO 120-277V |
| Pieces per Sku     | 1                                 |
| Skus/Case          | 30                                |
| Bar code on pack   | 781087129555                      |
| Bar code on case   | 50781087129567                    |
| Logistics code(s)  | 913701248702                      |
| eop_net_weight_pp  | 0.350 kg                          |

## Dimensional drawing



## CENTIUM ELE BALLAST (2) F24T5/HO 120-277V

| Product                           | A1 (Norm) | A2 (Norm) | A3 (Norm) | B1 (Norm) | C1 (Norm) |
|-----------------------------------|-----------|-----------|-----------|-----------|-----------|
| ELE BALLAST (2) F24T5/HO 120-277V | 9.50      | 8.90      | -         | 1.30      | 1.00      |



© 2014 Koninklijke Philips N.V. (Royal Philips)  
All rights reserved.

Specifications are subject to change without notice. Trademarks are the property of Koninklijke Philips N.V. (Royal Philips) or their respective owners.

[www.philips.com/lighting](http://www.philips.com/lighting)

2014, September 30  
data subject to change