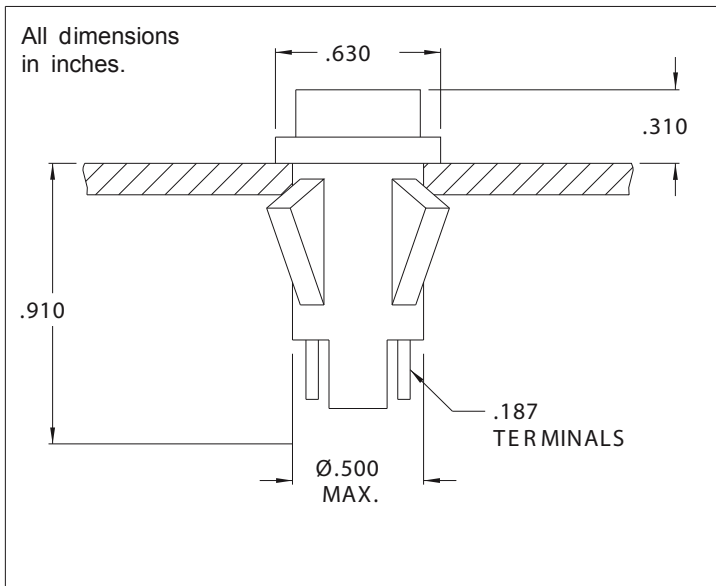


## 1050QC, 1051QC, 1052QC, 1053QC and 1090QC Series Non-Relampable Neon-Incandescent Indicator Lights

### Description and Features



Mounting: Will snap-fit into Ø.500/.505 hole in panels .020/.100 thick. Push-on speednut SN0461 also available. Mounting hole pattern on page SP2.

Terminals: Tinned brass

Lens: Polycarbonate

Bezel: Polished stainless steel.

Housing: White Nylon

| Lens Color | Neon                      |                         | Incandescent       |                    |
|------------|---------------------------|-------------------------|--------------------|--------------------|
|            | Model No.<br>(105-125VAC) | Model No.<br>(208-250V) | Model No.<br>(12V) | Model No.<br>(28V) |
| Red        | 1050QC 1                  | 1051QC 1                | 1090QC 1-12V       | 1090QC 1-28V       |
| Clear      | 1050QC 2                  | -                       | -                  | -                  |
| Amber      | 1050QC 3                  | 1051QC 3                | -                  | 1090QC 3-28V       |
| White      | 1050QC 4                  | 1051QC 4                | 1090QC 4-12V       | 1090QC 4-28V       |
| Green      | 1052QC 5*                 | 1053QC 5*               | 1090QC 5-12V       | 1090QC 5-28V       |
| Lamp used  | C 2A+R resistor           | C 2A+R resistor         | #2162              | #2187              |

\* Incorporates G2B lamp and resistor.  
Underwriters Laboratories (UL) File No. E20356