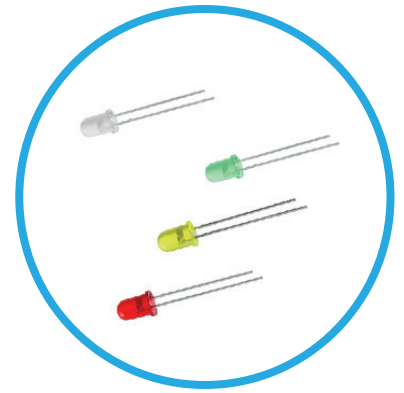




# 4305H Series 5mm (T-1 3/4) Solid State LED Lamps



Through-hole LED with non-diffused lens. available in red, green or yellow with a narrow beam viewing angle.

## Applications

- Electronic Signs and Signals
- Small Area Illuminations
- Front Panel Indicator
- Electrical Panels
- Back Lighting
- Appliances

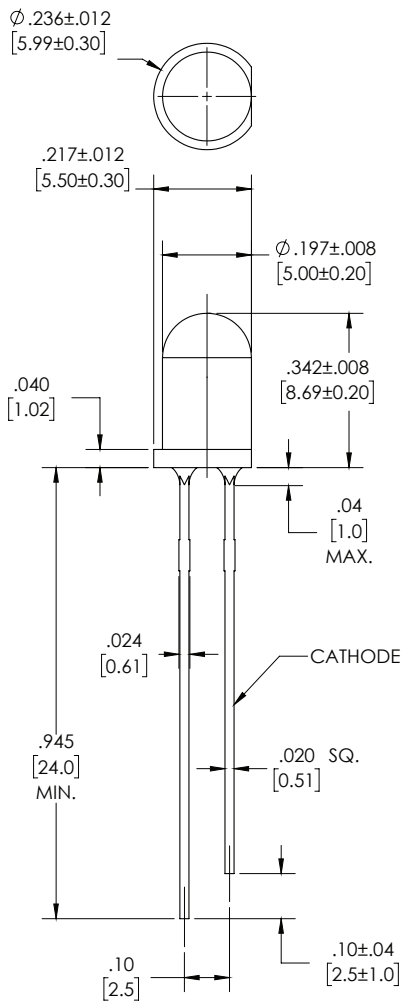
## Key Features

- 5mm (T-1 3/4) LED
- Emitted color: red, green, and yellow
- Narrow beam viewing angle
- Non-diffused lens
- RoHS and REACH Compliant

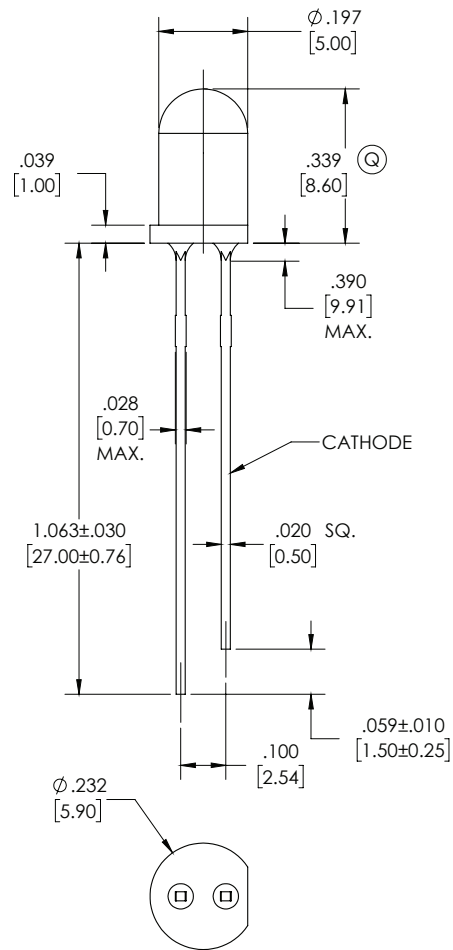


# Product Dimensions

## 4305H1 and 4305H7



## 4305H5



### Notes:

1. All dimensions are in inches [mm]

## Product Specifications

### Electrical / Optical Characteristics and Ratings

Part Number	4305H1	4305H5	4305H7
Output Color	Red	Green	Yellow
Diffusion	Clear	Non-Diffused	Non-Diffused
Package Color	Water Clear	Green	Yellow
Test Current (mA)	20	20	20
Forward Voltage Typ. (V)	1.7	2.2	2.2
Forward Voltage Max. (V)	2.4	2.6	3.0
Forward Current (I <sub>F</sub> )	-	20	25
Luminous Intensity Min. (mcd)	-	-	56
Luminous Intensity Typ. (mcd)	60	50	160
Capacitance @ V=0	-	-	-
Peak Wavelength (nm)	645	565	585
Viewing Angle 20 1/2 (degrees)	35	30	-
Power Dissipation (mW)	70	105	75
Operating Temperature (°C)	-25°C to +85°C	-40°C to +85°C	-25°C to +85°C
Reverse Voltage (V <sub>R</sub> )	5	5	3

## Compliances and Approvals



# Mouser Electronics

Authorized Distributor

Click to View Pricing, Inventory, Delivery & Lifecycle Information:

VCC:

4305H7