



# Optanium T8 Instant Start

OPTANIUM IOP2P32N35M

Reliable and energy efficient Philips Advance's Centium commercial grade specifications, plus added benefits of lamp striation reduction technology. Reliable and energy efficient Philips Advance's Centium commercial grade specifications, plus added benefits of lamp striation reduction technology.

## Product data

### • General Information

Lamp Type	F32T8
Number Of Lamps	1/2 piece/unit
Ballast Type	Electronic Fluorescent
Base Model	IOP2P32N
Suitable For Outdoor Use	Yes
Automatic Restart	Yes

### • Operating and Electrical

Input Voltage	120 to 277 V
Input Frequency	50 to 60 Hz
Total Harmonic Distortion USA	10 %
Ignition Method	Instant Start
Crestfactor (Nom)	1.6
Ignition Time (Nom)	0.1 s
Ballast Factor (Nom)	0.88
Power Factor (Nom)	0.98
Input Current (Max)	0.47 A
Input Current (Min)	0.20 A
Input Power (Nom)	55-56 W
Rated Lamp Power	32W W

### • Wiring

Color Input Terminals	No terminals
Color Output Terminals	No terminals
Wire Striplength	0.50/0.375 mm
Lamp Connection	Parallel
Wire Length By Color	See data sheet
Wire Gauge (Nom)	18AWG mm
Wire Type	Solid

Remote Wiring Configuration Allowed	Yes
Tandem Wiring Configuration Allowed	Yes
Through Wiring Configuration Allowed	Yes
Max Ballast-Lamp Distance Remote Wiring	ES = 6' / Standard = 20'
Max Ballast-Lamp Distance Tandem Wiring	ES = 6' / Standard = 20'
Max Ballast-Lamp Distance Through Wiring	ES = 6' / Standard = 20'
Connector Type	No connector

### • Temperature

T-Case Maximum (Nom)	70 °C
----------------------	-------

### • Mechanical and Housing

Housing Material	Metal
Housing	N
Housing Dimensions	9.5" x 1.3" x 1.0"

### • Approval and Application

EMC Immunity Standard	FCC Non-Consumer
Approval Marks	CSA certificate UL certificate

**PHILIPS**

# Optanium T8 Instant Start

CEC Listing  
 CEE Rated  
 CSA E  
 NEMA Premium  
 RoHS Compliant  
 Hum And Noise Level  
 UL Recognized

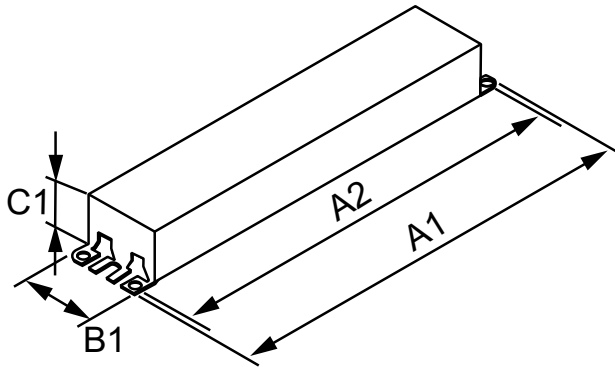
A  
 A  
 No

EAN/UPC - Product 781087125083  
 Order code 913701246502  
 Numerator - Quantity Per Pack 1  
 Numerator - Packs per outer box 30  
 Material Nr. (12NC) 913701246502  
 Net Weight (Piece) 0.350 kg

• **Product Data**

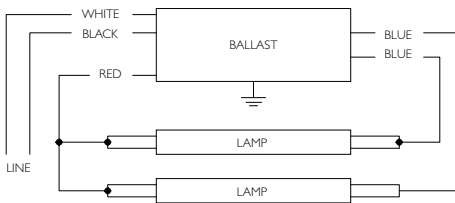
Order product name OPTANIUM IOP2P32N35M

Dimensional drawing



ELE BALLAST (2) F32T8 120-277V

Product	A1	A2	B1	C1
OPTANIUM IOP2P32N35M	9.50 in	8.90 in	1.30 in	1.00 in



For single lamp operation, insulate unused blue lead for 600 V



© 2016 Philips Lighting Holding B.V.  
 All rights reserved.

Specifications are subject to change without notice. Trademarks are the property of Koninklijke Philips N.V. (Royal Philips) or their respective owners.

[www.philips.com/lighting](http://www.philips.com/lighting)

2016, February 1  
 data subject to change