



Optanium T8 Instant Start

OPTANIUM IOP4P32LWN35I

Reliable and energy efficient Philips Advance's Centium commercial grade specifications, plus added benefits of lamp striation reduction technology. Reliable and energy efficient Philips Advance's Centium commercial grade specifications, plus added benefits of lamp striation reduction technology.

Product data

• General Information

Lamp Type	F32T8
Number Of Lamps	3/4 piece/unit
Ballast Type	Electronic Fluorescent
Base Model	IOP4P32LWN
Suitable For Outdoor Use	Yes
Automatic Restart	Yes

• Operating and Electrical

Input Voltage	120 to 277 V
Input Frequency	50 to 60 Hz
Total Harmonic Distortion USA	10 %
Ignition Method	Instant Start
Crestfactor (Nom)	1.6
Ignition Time (Nom)	0.1 s
Ballast Factor (Nom)	0.78
Power Factor (Nom)	0.98
Input Current (Max)	0.62 A
Input Current (Min)	0.27 A
Input Power (Nom)	73-71 W
Rated Lamp Power	32W W

• Wiring

Color Input Terminals	No terminals
Color Output Terminals	No terminals
Wire Striplength	0.50/0.375 mm
Lamp Connection	Parallel
Wire Length By Color	See data sheet
Wire Gauge (Nom)	18AWG mm
Wire Type	Solid

Remote Wiring Configuration Allowed	Yes
Tandem Wiring Configuration Allowed	Yes
Through Wiring Configuration Allowed	Yes
Max Ballast-Lamp Distance Remote Wiring	ES = 6' / Standard = 20'
Max Ballast-Lamp Distance Tandem Wiring	ES = 6' / Standard = 20'
Max Ballast-Lamp Distance Through Wiring	ES = 6' / Standard = 20'
Connector Type	No connector

• Temperature

T-Case Maximum (Nom)	70 °C
----------------------	-------

• Mechanical and Housing

Housing Material	Metal
Housing	N
Housing Dimensions	9.5" x 1.3" x 1.0"

• Approval and Application

EMC Immunity Standard	FCC Non-Consumer
Approval Marks	CSA certificate UL certificate

PHILIPS

CEC Listing
 CEE Rated
 NEMA Premium
 RoHS Compliant
 Hum And Noise Level
 UL Recognized

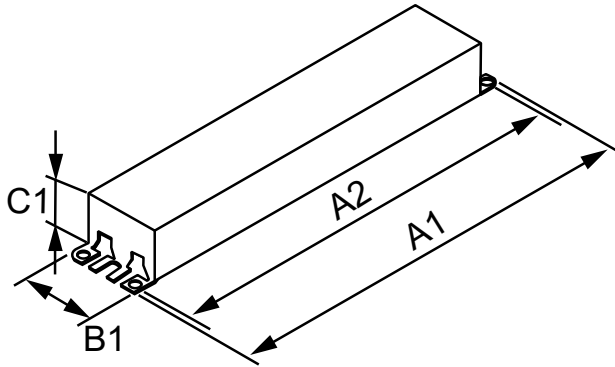
A
 A
 No

EAN/UPC - Product 781087125199
 Order code 913701247101
 Numerator - Quantity Per Pack 1
 Numerator - Packs per outer box 10
 Material Nr. (12NC) 913701247101
 Net Weight (Piece) 0.441 kg

• Product Data

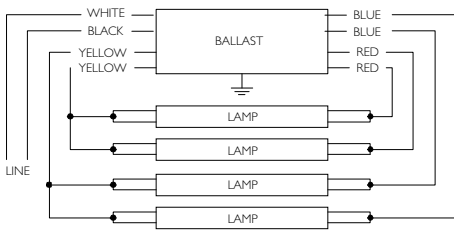
Order product name OPTANIUM IOP4P32LWN35I

Dimensional drawing



ELE BALLAST (4) F32T8 120-277V

Product	A1	A2	B1	C1
OPTANIUM IOP4P32LWN35I	9.50 in	8.90 in	1.30 in	1.00 in



For three lamp operation, insulate unused blue leads individually for 600V



© 2016 Philips Lighting Holding B.V.
 All rights reserved.

Specifications are subject to change without notice. Trademarks are the property of Koninklijke Philips N.V. (Royal Philips) or their respective owners.

www.philips.com/lighting

2016, February 1
 data subject to change