

Catalog Number
Notes
Type

FEATURES & SPECIFICATIONS

INTENDED USE — The JHBL is constructed to withstand moisture, dust, and chemical contact. Common applications for JHBL include demanding environments such as manufacturing, foundries, natatoriums, gymnasiums, automotive manufacturing, packaging, and cold storage. Ideal one-for-one replacement of conventional HID and fluorescent high bay systems. **Certain airborne contaminants can diminish the integrity of acrylic and/or polycarbonate. [Click here for Acrylic-Polycarbonate Compatibility table for suitable uses.](#)**

Certain airborne contaminants may adversely affect the functioning of LEDs and other electronic components, depending on various factors such as concentrations of the contaminants, ventilation, and temperature at the end-user location. [Click here for a list of substances that may not be suitable for interaction with LEDs and other electronic components.](#)

CONSTRUCTION — Electrical housing is off-set from the optical assembly for maximum heat dissipation. Rugged die-cast aluminum housing and corrosion resistance. Housing utilizes die cut rubber gasketing to seal the optical and electrical compartments from dust and moisture. Wire guard attachment points are precast in optical housing. Housing and optics maintain IP65 rating with all internal components including optional integrated sensor.

Finish: Super durable TGIC thermoset powder coat finish provides 1500 hours salt/fog rating. CR (corrosion resistant) optional finish is a five stage pre-treating can painting process that yields over 5,000 hours salt rating per ASTM B117.

OPTICS — One piece precision molded .375" thick borosilicate glass that is silicone rubber gasketed. Optional non-silicone gasket available and recommended for automotive applications.

ELECTRICAL — Non-class 2 drivers standard for maximum life at high temperatures. Less than 10% THD and PF >90. Luminaire Surge Protection Level: Designed to withstand up to 6kV/3kA per ANSI C82.77-5-2015. Lumen maintenance is 90% at 60,000 hours. L70 greater than 100,000 hours. 0-10V dimming standard for a dimming range of 100% to 10%.

WIRELESS NETWORKING — Integrated Bluetooth occupancy sensor: The SBG BTP is bluetooth enabled with dimming photocells. Allows you to change settings in the field using the VLP app.

INSTALLATION — 3/4 inch NPS threaded hub standard that is suitable for pendant, hook or loop mounting with appropriate mounting accessories. See accessories for available options.

LISTINGS — CSA certified to US and Canadian safety standards. Wet location listed. IP65 rated. NOM certified. Suitable for use in ambient temperatures from -40°F (-40°C) to 149°F(65°C). See ambient temperature chart on page 8 for additional temperature information. Covered ceiling not required to maintain wet location listing or IP ratings.

DesignLights Consortium® (DLC) Premium qualified product and DLC qualified product. Not all versions of this product may be DLC Premium qualified or DLC qualified. Please check the DLC Qualified Products List at www.designlights.org/QPL to confirm which versions are qualified.

WARRANTY — 5-year limited warranty. This is the only warranty provided and no other statements in this specification sheet create any warranty of any kind. All other express and implied warranties are disclaimed. Complete warranty terms located at: www.acuitybrands.com/support/warranty/terms-and-conditions

Note: Actual performance may differ as a result of end-user environment and application. All values are design or typical values, measured under laboratory conditions at 25 °C. Specifications subject to change without notice.

LED IP Rated High Bay

JHBL



A+ Capable Luminaire

This item is an A+ capable luminaire, which has been designed and tested to provide consistent color appearance and out-of-the-box control compatibility with simple commissioning.

- All configurations of this luminaire meet the Acuity Brands' specification for chromatic consistency
- This luminaire is part of an A+ Certified solution for nLight® control networks marked by a **shaded background***

To learn more about A+, visit www.acuitybrands.com/aplus.

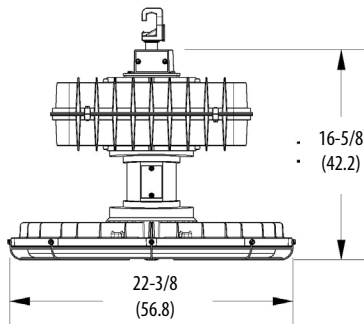
*See ordering tree for details

The Bluetooth® word mark and logos are registered trademarks owned by Bluetooth SIG, Inc. used under license.

JHBL LED IP Rated High Bay

DIMENSIONS

All dimensions are in inches (centimeters) unless otherwise indicated.
Dimensions may vary with options or accessories.

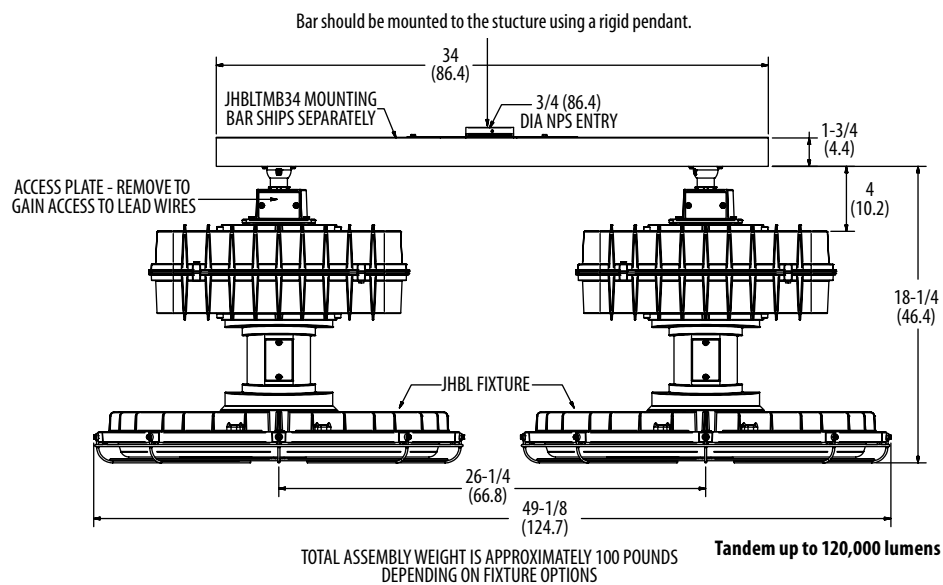
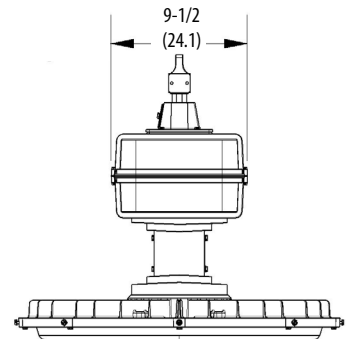


Typical weight:

A cartoned luminaire weighs 50 lbs.;
unboxed it weighs 43 lbs.

Shown with HKM(G) mounting accessory.

See accessory options on page 2.



JHBL LED IP Rated High Bay



A+ Capable options indicated by this color background.

ORDERING INFORMATION

Lead times will vary depending on options selected. Consult with your sales representative.

Example: JHBL 18000LM GL WD MVOLT GZ10 50K 70CRI CS89 DWHXD

JHBL					GZ10		
Series	Lumens-(single unit) ‡	Lens	Distribution	Voltage	Driver	Color temperature	Color rendering index
JHBL	12000LM 12,000 lumens	GL Glass	WD Wide	MVOLT 120-277V	GZ10 0-10V dimming	35K 3500 K	70CRI 70 CRI
	18000LM 18,000 lumens	ACL Clear Acrylic	ND Narrow	HVOLT 347-480V ‡		40K 4000 K	80CRI 80 CRI
	24000LM 24,000 lumens	PCL Clear Polycarbonate	MD Medium ‡	120 120V		50K 5000 K	90CRI 90 CRI
	30000LM 30,000 lumens			208 208V			
	35000LM 35,000 lumens ‡			240 240V			
	40000LM 40,000 lumens ‡			277 277V			
	45000LM 45,000 lumens ‡			347 347V			
	50000LM 50,000 lumens ‡			480 480V			
	60000LM 60,000 lumens ‡						

Options				Finish ‡
E10WCP	Self-diagnostics Emergency battery pack, 10W constant power, certified in CA Title 20 MAEDBS ‡	<u>Individual Controls:</u> ‡	MSE6NWL Embedded high mount 360° motion sensor, wet location, On/Off operation	<u>Super durable finishes</u>
E15WCPFMC	Self-diagnostics Emergency battery pack, 15W constant power, certified in CA Title 20 MAEDBS, external ‡	MSE6L3VWL Embedded high mount 360° motion sensor, wet location, High/Low operation (2-level) ‡	MSE6NWL DSCNWL Embedded high mount 360° motion sensor, wet location, On/Off operation from motion sensing, Override Off due to daylight	DWXXD White
BSL722	Bodine® emergency LED battery pack for 0°C and up. CA Title 20 noncompliant ‡	MSE10NWL Embedded low mount 360° motion sensor, wet location, On/Off operation	MSE102L3VWL Embedded low mount 360° motion sensor, wet location, High/Low operation (2-level) ‡	DNAXD Natural aluminum
BSL722C	Bodine® emergency LED battery pack for -20°C and up. CA Title 20 noncompliant ‡	MSE10NWL DSCNWL Embedded low mount 360° motion sensor, wet location, On/Off operation from motion sensing, Override Off due to daylight		DWHGXD Textured white
ETS	<u>Emergency control device</u> ‡	<u>nLight Wired Network Controls:</u>	nPP16D Power/relay pack (0-10VDC dimming output) ‡	DNATXD Textured natural aluminum
WGX	Standard wire guard, installed	nPP16DER Power/relay pack (0-10VDC dimming output) UL924 Emergency operation ‡	<u>nLight AIR Wireless Controls:</u>	DBLXD Black
NSG	Non-silicone gasket	NLTAIR2 RPP20 D nLight air Generation 2 dimming and switching module ‡	NLTAIR2 RPP20 D ER nLight air Generation 2 dimming and switching module, UL924 Emergency Operation via power sense leads ‡	
AO	Field adjustable output (standard fixture setting is 8) ‡	NLTAIR2 RIO nLight AIR (wireless) gen 2 control device (dimming & switching) ‡	NLTAIR2 RSBG6 nLight AIR Generation 2 enabled 360° high mount (15-30ft) motion sensor ‡	
CR	Corrosion resistant paint	NLTAIR2 RSBG10 nLight AIR Generation 2 enabled 360° low mount (8-15ft) motion sensor ‡	NLTAIR2 RSBG40 nLight AIR Generation 2 enabled 360° high bay (40ft) motion sensor ‡	
<u>Cord sets:</u> ‡		<u>Individual Controls with Bluetooth Programming</u>	SBG6 OCC BTP 360° High Mount Occ Sensor, pre-wired; Bluetooth®	
CS88	6' Brad Harrison 16/3 cord and straight blade plug set, wet location ‡	SBG6 HL BTP 360° High Mount Occ Sensor w/HL Default, pre-wired; Bluetooth®	SBG6 ADC BTP 360° High Mount Occ Sensor w/ADC Default, prewired; Bluetooth®	
CS88L12	12' Brad Harrison 16/3 cord and straight blade plug set, wet location ‡	SBG6 ANL BTP 360° High Mount Occ Sensor w/ANL Default, prewired; Bluetooth®		
CS89	6' white cord, 16/3, no plug, wet location ‡			
CS89L12	12' white cord, 16/3, no plug, wet location ‡			
CS6G16STOWSD	6' white cord, 16/5, no plug, wet location, includes low voltage dimming wires			
HC3PC3RWT	Wet location, hook, 3' cord, plug and receptacle ‡			

NOTE: ‡ indicates option chosen has ordering restrictions. Please reference ordering restrictions chart, page 5. Options are sorted alphanumerically.

Options continued on next page.
See Accessories and foot notes for above on next page.

JHBL LED IP Rated High Bay

Options		
<u>Wet location:</u>	<u>Damp location (Fixtures utilizing the below options will bear a damp location label.):</u>	<u>Dry location (Fixtures utilizing the below options will bear a dry location label.):</u>
HKMG Grommeted aluminum fixture hook male ‡	DL Damp location ‡	HOCS Hook, 5' RELOC® OCS ‡
LPMG Grommeted aluminum fixture loop male ‡	HKM Hook, male ‡	LOCS Loop, 5' RELOC® OCS ‡
	HXC Hook, cord, no plug ‡	OCS 5' RELOC® OCS ‡
	HCXP Hook, cord, 15A NEMA twist-lock plug ‡	
	LCXP Loop, cord, 15A NEMA twist-lock plug ‡	
	LCPP Loop, cord, non-NEMA 14A twist-lock plug ‡	
	LPM Aluminum fixture loop male ‡	
	HKMI Iron fixture hook male ‡	
	LPMI Iron fixture loop male ‡	
	L/CORD Less Cord	

Accessories: Order as separate catalog number.		
<u>Wet location</u>	<u>Damp location</u>	<u>Damp location</u>
WGJHBL Wire guard	HKM Aluminum fixture hook male ‡	PPH Pendant power hook ‡
HKMG Grommeted aluminum fixture hook male ‡	LPM Aluminum fixture loop male ‡	JHBLTMB34 XXX 34" tandem mounting bar ‡
LPMG Grommeted aluminum fixture loop male ‡	HKMI Iron fixture hook male ‡	
JHBLSC120 10' safety cable	LPMI Iron fixture loop male ‡	
JHBLSC84 7' safety cable		

EMERGENCY OPERATION SCENARIOS

	Standard Sensor or Control Device (commonly used with Battery Pack Option)	ER Solution (Used when switching to generator power via a 2nd hot lead)
Emergency Lighting Strategy	*Luminaire-integral battery pack and emergency driver *Generator transfer device	*Fast Transfer (FT) inverter emergency backup supply *Uninterruptible Power System (UPS) emergency
Recommended Control Device Option	*Not specifically listed for emergency use. *Wired such that a separately listed emergency device provides emergency lighting power and/or control during loss of normal power scenarios.	*UL924 listed *Utilizes dedicated Normal Power sensing leads to initiate lighting control override during loss of normal power scenarios. *Requires connections to both emergency and normal power circuits.

	Function	Sequence of Operations	Standard Sensor or Control Device	ER Solution* (Generator 2 Hots)	JHBL Standard Sensor Settings				
					Vacancy Time Out	Dim to Off Time Delay	High Trim	Low Trim	Photocell Set Point
nLight wired Networked Controls	Dimming	Programmable On/Off control only with dimming - no sensor (device externally mounted to fixture access plate)	NPP16 D	NPP16 D ER	-	-	100%	1%	-
nLight AIR Wireless Sensors	Dimming + Photocell + Occupancy	Wirelessly programmable network sensor - On/Off control with dimming, occupancy detection, and daylight harvesting (Sensor embedded in fixture)	NLTAIR2 RSBG6	NLTAIR2 RSBG6 ER	7.5 min	-	100%	10%	50 fc
	Dimming	Wirelessly programmable On/Off control with dimming - no sensor (Device embedded in fixture)	NLTAIR2 RIO	NLTAIR2 RIO ER	-	-	100%	10% (driver low)	-

Note: For 360° integral Low Mount sensors, replace "6" in nomenclature with "10". Ex: RSBG10 For 360° high bay motion sensor, replace "6" in nomenclature with "40". Ex: RSBG40

***All ER sensor solutions except nLight wired, include standard sensor or control device with a factory-installed --+lota ETS##-DR (UL924 bypass device). This device is integral to the fixture and will include a hot and neutral lead for the dedicated emergency circuit.**

JHBL LED IP Rated High Bay

‡ Option Value Ordering Restrictions	
Option value	Restriction
35000LM	Tandem units available in 35,000, 40,000, 45,000, 50,000, and 60,000 lumens. To order tandem units double the lumens - ex. 40,000LM order 80,000LM.
40000LM	Tandem units available in 35,000, 40,000, 45,000, 50,000, and 60,000 lumens. To order tandem units double the lumens - ex. 40,000LM order 80,000LM.
45000LM	Tandem units available in 35,000, 40,000, 45,000, 50,000, and 60,000 lumens. To order tandem units double the lumens - ex. 40,000LM order 80,000LM.
50000LM	Tandem units available in 35,000, 40,000, 45,000, 50,000, and 60,000 lumens. To order tandem units double the lumens - ex. 40,000LM order 80,000LM.
60000LM	Tandem units available in 35,000, 40,000, 45,000, 50,000, and 60,000 lumens. To order tandem units double the lumens - ex. 40,000LM order 80,000LM.
AO	Not available with dimming sensors. Not available with MSE62L3VWL, MSE102L3VWL, NPP16D, NPP16DER, SBGR6BTP HL, SBGR6BTP ADC, SBGR6BTP ANL, NLTAIR2 RIO, NLTAIR2 RSBG10, NLTAIR2 RSBG40, and NLTAIR2 RSBG6.
BSL722	Not available with MVOLT, HVOLT, 347, or 480V. Must specify voltage. Not available with 12,000-24,000LM. Not available with cord with plug options. Fixtures ship with black 4-conductor cords (no plug) when cord set options are ordered.
BSL722C	Not available with MVOLT, HVOLT, 347, or 480V. Must specify voltage. Not available with 12,000-24,000LM. Not available with cord with plug options. Fixtures ship with black 4-conductor cords (no plug) when cord set options are ordered.
Cord sets	Cords ship standard 6'. Other lengths available. Consult sales representative for other options.
CS88	Must specify voltage. Not available MVOLT or HVOLT. Not available with ETS or ER versions of sensors.
CS88L12	Must specify voltage. Not available MVOLT or HVOLT. Not available with ETS or ER versions of sensors.
CS89	Fixtures ship with black 4-conductor cords when battery pack options are ordered. Not available with ETS or ER versions of sensors.
CS89L12	Fixtures ship with black 4-conductor cords when battery pack options are ordered. Not available with ETS or ER versions of sensors.
DL	Required for fixtures utilizing damp location options. Ex: HKM, LPM, etc.
E10WCP	Not available with MVOLT, HVOLT, 347, or 480V. Must specify voltage. Not available with cord with plug options. Fixtures ship with black 4-conductor cords (no plug) when cord set options are ordered.
E15WCPFMC	Not available with MVOLT, HVOLT, 347, or 480V. Must specify voltage. Not available with cord with plug options. Fixtures ship with black 4-conductor cords (no plug) when cord set options are ordered.
ETS	Available with MVOLT, 120, 208, 240, 277. Not available with cords, OCS, HKMG, LPMG, LCPP, PPH, Individual controls, nLight wired options, X-pont wireless, Bluetooth controls, or battery packs.
Finish	Lithonia standard and architectural colors also available. Consult sales representative.
HC3PC3RWT	Not available with JHBLTMB34. Must specify voltage. Not available MVOLT or HVOLT. Total cord length 6' (3' on plug side and 3' on receptacle side). Other lengths available in odd increments. Ex: 5', 7', 9', etc.
HCX	X denotes length of cord. Cords are available in odd increments. Ex: 3', 5', 7', etc. Not available with JHBLTMB34. Not available with ETS or ER versions of sensors.
HXCP	Must specify voltage. Not available MVOLT or HVOLT. X denotes length of cord. Cords are available in odd increments. Ex: 3', 5', 7', etc. Not available with JHBLTMB34. Not available with ETS or ER versions of sensors.
HKM	Not available with JHBLTMB34. Must specify a cordset or L/CORD. Must order DL option.
HKMG	Not available with JHBLTMB34. Must specify a cordset or L/CORD. If L/CORD is specified must order DL option.
HKMI	Not available with JHBLTMB34. Must specify a cordset or L/CORD. Must order DL option.
HOCS	Must specify voltage. Not available MVOLT or HVOLT. Not available with JHBLTMB34.
HVOLT	Not available in 60,000LM.
Individual Controls	Must specify voltage. Not available MVOLT or HVOLT. Available with 120, 277, 347, and 480. 480V utilizes a step transformer. Not available with BSL722 and BSL722C.
JHBLTMB34 XXXX	Must specify finish. Lithonia standard and architectural colors also available. Consult sales representative. Not recommended for wet locations. Bar should be mounted to the structure using a rigid pendant.
LCPP	Must specify voltage. Not available MVOLT or HVOLT. Requires PPH accessory. Not available with JHBLTMB34.
LCXP	Must specify voltage. Not available MVOLT or HVOLT. X denotes length of cord. Cords are available in odd increments. Ex: 3', 5', 7', etc. Not available with JHBLTMB34.
LOCS	Not available with JHBLTMB34. Must specify voltage. Not available MVOLT or HVOLT.
LPM	Not available with JHBLTMB34. Must specify a cordset or L/CORD. Must order DL option.
LPMG	Not available with JHBLTMB34. Must specify a cordset or L/CORD. If L/CORD is specified must order DL option.
LPMI	Not available with JHBLTMB34. Must specify a cordset or L/CORD. Must order DL option.
Lumens - (single-unit)	See Ambient temperature rating chart.
MD	Available with GL option only.
MSE102L3VWL	Not available with AO.
MSE62L3VWL	Not available with AO.
NLTAIR2 RIO	Not available with 60000LM, AO, or DIM options. Not available with any other control option. Available with ER option. EX: NLTAIR2 RIO ER. ER option is not available with 347v, 480v, or HOVLT.
NLTAIR2 RPP20 D	Fixture will be rated for damp locations. Not available with any other control option. Must order DL option. Normal luminaires (non-emergency) can be used as a normal power sensing device for nearby nLight AIR devices and luminaires with EM emergency options.
NLTAIR2 RPP20 D ER	Fixture will be rated for damp locations. Not available with battery pack. Not available with any other control option. Must order DL option.
NLTAIR2 RSBG10	Not available with 60000LM, AO, or DIM options. Not available with any other control option. Available with ER option. EX: NLTAIR2 RSBG10 ER. ER option utilizes standard sensor and Iota ETS.
NLTAIR2 RSBG40	Not available with 60000LM, AO, or DIM options. Not available with any other control option. Available with ER option. EX: NLTAIR2 RSBG40 ER. ER option utilizes standard sensor and Iota ETS.
NLTAIR2 RSBG6	Not available with 60000LM, AO, or DIM options. Not available with any other control option. Available with ER option. EX: NLTAIR2 RSBG6 ER. ER option utilizes standard sensor and Iota ETS.
nPP16D	Not available with AO. Not available with RSBG, MSE, or SBG options.
nPP16DER	Not available with AO. Not available with battery pack. Not available with RSBG, MSE, or SBG options.
OCS	Must specify voltage. Not available MVOLT or HVOLT. Not available with JHBLTMB34.
PPH	Must specify voltage. Not available MVOLT, HVOLT, 208, 240, and 480. Not available with JHBLTMB34. Fixture must have LCPP option.

LAT FACTORS

Ambient °C	12L	18L	24L	30L	35L	40L	45L	50L	60L
25	1.00	1.00	1.00	1.00	1.00	1.00	1.00	1.00	1.00
30	0.99	0.99	0.99	0.99	0.99	0.99	0.99	0.99	0.99
35	0.99	0.99	0.99	0.98	0.98	0.98	0.98	0.98	0.98
40	0.98	0.98	0.98	0.97	0.97	0.97	0.97	0.97	
45	0.98	0.97	0.97	0.97	0.96	0.96	0.96	0.96	
50	0.97	0.97	0.96	0.96	0.95	0.95	0.95	0.95	
55	0.96	0.96	0.95	0.95	0.95	0.94	0.94	0.94	
60	0.96	0.95	0.94	0.94	0.94	0.94	0.93	0.93	
65	0.95	0.94	0.94						

NUMBER OF BOARDS AND DRIVERS

Lumen package	Number of boards	Number of drivers
12000LM	4	1
18000LM	4	1
24000LM	4	1
30000LM	4	2
35000LM	4	2
40000LM	4	2
45000LM	4	2
50000LM	4	2
60000LM	4	2

AO SETTINGS

12000LM		
FAO Position	% Lumen Output	% Wattage
1	38%	39%
2	50%	49%
3	62%	61%
4	75%	73%
5	88%	87%
6	98%	98%
7	100%	100%
8	100%	100%

18000LM		
FAO Position	% Lumen Output	% Wattage
1	39%	36%
2	51%	48%
3	63%	60%
4	75%	73%
5	88%	88%
6	98%	99%
7	100%	100%
8	100%	100%

24000LM		
FAO Position	% Lumen Output	% Wattage
1	40%	35%
2	52%	47%
3	63%	60%
4	76%	72%
5	89%	87%
6	98%	98%
7	100%	100%
8	100%	100%

30000LM		
FAO Position	% Lumen Output	% Wattage
1	41%	37%
2	53%	48%
3	64%	59%
4	76%	73%
5	89%	87%
6	98%	98%
7	100%	100%
8	100%	100%

35000LM		
FAO Position	% Lumen Output	% Wattage
1	41%	36%
2	54%	47%
3	65%	59%
4	77%	72%
5	89%	87%
6	98%	98%
7	100%	100%
8	100%	100%

40000LM		
FAO Position	% Lumen Output	% Wattage
1	41%	36%
2	53%	47%
3	65%	59%
4	77%	72%
5	89%	87%
6	98%	98%
7	100%	100%
8	100%	100%

45000LM		
FAO Position	% Lumen Output	% Wattage
1	42%	35%
2	54%	47%
3	65%	59%
4	77%	73%
5	89%	87%
6	98%	98%
7	100%	100%
8	100%	100%

50000LM		
FAO Position	% Lumen Output	% Wattage
1	42%	35%
2	54%	47%
3	66%	59%
4	78%	72%
5	90%	86%
6	98%	98%
7	100%	100%
8	100%	100%

60000LM		
FAO Position	% Lumen Output	% Wattage
1	43%	35%
2	55%	48%
3	66%	60%
4	78%	73%
5	90%	87%
6	98%	98%
7	99%	99%
8	100%	100%

* Standard setting is 8.

OPERATIONAL DATA

Lumen package	Lens	Distribution	Delivered Lumens									LPW*	Input wattage
			3500K			4000K			5000K				
			70CRI	80CRI	90CRI	70CRI	80CRI	90CRI	70CRI	80CRI	90CRI		
12000LM	GL	ND	12805	11467	9839	12706	11599	9955	12574	11839	10690	151	83
		MD	12898	11550	9911	12798	11683	10027	12665	11925	10768	152	83
		WD	13176	11799	10124	13074	11935	10243	12938	12182	10100	156	83
	ACL	ND	13082	11714	10052	12980	11850	10170	12845	12094	10921	155	83
		WD	13422	12020	13014	13319	12158	10435	13180	12409	11206	159	83
	PCL	ND	9286	8315	7135	9214	8411	7219	9118	8585	7752	110	83
WD	9527	8531	7320	9453	8629	7406	9355	8808	7953	7113	113	83	
18000LM	GL	ND	19532	17490	15008	19380	17692	15184	19179	18057	16306	146	131
		MD	19673	17617	15117	19521	17820	15294	19318	18188	16424	147	131
		WD	20097	17997	15442	19942	18204	15624	19734	18580	16778	151	131
	ACL	ND	19953	17868	15332	19799	18074	15512	19593	18447	16658	150	131
		WD	20473	18333	15731	20314	18544	15916	20103	18927	17091	153	131
	PCL	ND	14164	12683	10883	14054	12830	11011	13908	13095	11824	106	131
WD	14531	13012	11165	14418	13162	12297	14268	13434	12131	109	131		
24000LM	GL	ND	26243	23500	20165	26040	23771	20402	25769	24262	21909	139	185
		MD	26433	23671	20311	26229	23943	20550	25956	24438	22067	140	185
		WD	27003	24181	20749	26794	24460	20993	26515	24965	22543	143	185
	ACL	ND	26809	24007	20600	26602	24284	20842	26325	24786	22382	142	185
		WD	27508	24633	21137	27295	24917	21385	27011	25431	22965	146	185
	PCL	ND	19031	17042	14623	18883	17238	14795	18687	17594	15888	101	185
WD	19524	17484	15002	19373	17685	15179	19172	18050	16300	104	185		
30000LM	GL	ND	26664	25618	20564	29104	26489	22307	29975	26838	24398	136	221
		MD	26857	25804	20713	29314	26681	22469	30192	27032	24575	137	221
		WD	27436	26360	21160	29946	27257	22953	30843	27615	25105	140	221
	ACL	ND	27239	26171	21008	29732	27061	22788	30622	27417	24925	139	221
		WD	27949	26853	21555	30506	27766	23382	31420	28131	25574	142	221
	PCL	ND	19336	18577	14913	21105	19209	16176	21737	19462	17693	98	221
WD	19837	19059	15299	21652	19708	16596	22300	19967	18152	101	221		
35000LM	GL	ND	31478	30244	24278	34359	31273	26335	35388	31685	28804	132	269
		MD	31707	30463	24454	34608	31500	26526	35644	31914	29013	133	269
		WD	32390	31120	24981	35354	32179	27098	36413	32602	29638	135	269
	ACL	ND	32158	30897	24802	35101	31948	26904	36152	32368	29426	134	269
		WD	32996	31702	25448	36015	32780	27604	37093	33211	30192	138	269
	PCL	ND	22827	21932	17605	24916	22678	19097	25662	22977	20888	95	269
WD	23419	22501	18062	25562	23266	19593	26328	23572	21430	98	269		
40000LM	GL	ND	35898	34490	27686	39183	35663	30032	40356	36133	32848	137	294
		MD	36158	34740	27887	39467	35922	30250	40648	36394	33086	138	294
		WD	36938	35489	28488	40318	36696	30902	41525	37179	33799	141	294
	ACL	ND	36673	35235	28284	40029	36433	30681	41227	36913	33557	140	294
		WD	37628	36152	29020	41071	37382	31480	42301	37874	34431	144	294
	PCL	ND	26032	25011	20077	28414	25862	21779	29265	26202	23820	100	294
WD	26707	25660	20598	29151	26533	22343	30024	26882	24438	102	294		
45000LM	GL	ND	40034	38464	30876	43697	39772	33492	45006	40296	36632	134	336
		MD	40324	38743	31100	44014	40061	33735	45332	40588	36898	135	336
		WD	41193	39578	31770	44963	40924	34463	46309	41463	37693	138	336
	ACL	ND	40898	39294	31542	44641	40631	34215	45977	41165	37423	137	336
		WD	41963	40318	32364	45803	41689	35107	47174	42238	38398	140	336
	PCL	ND	29031	27893	22390	31688	28842	24288	32637	29221	26565	97	336
WD	29784	28616	22971	32510	29590	24918	33483	29979	27254	100	336		
50000LM	GL	ND	44885	43125	34617	48992	44592	37551	50459	45179	41072	130	388
		MD	45211	43438	34868	49347	44915	37823	50825	45506	41369	131	388
		WD	46185	44374	35620	50411	45883	38639	51921	46487	42261	134	388
	ACL	ND	45854	44056	35366	50050	45555	38362	51549	46154	41958	133	388
		WD	47048	45203	36286	51354	46741	39361	52891	47356	43051	136	388
	PCL	ND	32549	31273	25104	35528	32337	27231	36592	32762	29784	94	388
WD	33394	32084	25755	36449	33175	27937	37540	33612	30556	97	388		
60000LM	GL	ND	52706	50639	40649	57529	52362	44094	59251	53051	48228	129	458
		MD	53088	51006	40944	57946	52741	44414	59681	53435	48577	130	458
		WD	54263	52106	41826	59195	53878	45371	60967	54587	49625	133	458
	ACL	ND	53844	51732	41527	58771	53492	45046	60530	54196	49269	132	458
		WD	55246	53080	42608	60301	54885	46219	62107	55607	50552	136	458
	PCL	ND	38221	36722	29478	41718	37971	31976	42967	38471	34973	94	458
WD	39212	37674	30242	42800	38956	32805	44082	39468	35880	96	458		

*LPW provided at 5000 K

AMBIENT TEMPERATURE RATINGS

Voltage	Occ Sensor	SBGR BTP	Battery			Ambient									
			BSL722	E10WCP	E15WCPFMC	12	18	24	30	35	40	45	50	60	
120-277	N	N	N	N	N	65	65	65	60	55	60	60	50	35	
120-277	N	N	N	N	Y	45	45	45	35	35	35	35	35	35	
120-277	N	N	N	Y	N	50	50	50	35	35	35	35	35	35	
120-277	N	N	Y	N	N	40	40	40	25	25	25	25	25	25	
120-277	N	Y	N	N	N	50	50	50	45	45	35	35	35	35	
120-277	N	Y	N	N	Y	45	45	45	35	35	35	35	35	35	
120-277	N	Y	N	Y	N	50	50	50	35	35	35	35	35	35	
120-277	N	Y	Y	N	N	40	40	40	25	25	25	25	25	25	
120-277	Y	N	N	N	N	65	65	65	45	45	35	35	35	30	
120-277	Y	N	N	N	Y	45	45	45	35	35	35	35	35	30	
120-277	Y	N	N	Y	N	50	50	50	35	35	35	35	35	30	
120-277	Y	N	Y	N	N	40	40	40	25	25	25	25	25	25	
120-277	Y	Y	N	N	N	50	50	50	45	45	35	35	35	30	
120-277	Y	Y	N	N	Y	45	45	45	35	35	35	35	35	30	
120-277	Y	Y	N	Y	N	50	50	50	35	35	35	35	35	30	
120-277	Y	Y	Y	N	N	40	40	40	25	25	25	25	25	25	
347-480	N	N	N	N	N	65	65	65	60	55	60	60	60	35	
347-480	N	N	N	N	Y	45	45	45	35	35	35	35	35	35	
347-480	N	N	N	Y	N	50	50	50	35	35	35	35	35	35	
347-480	N	N	Y	N	N	40	40	40	25	25	25	25	25	25	
347-480	N	Y	N	N	N	50	50	50	45	45	35	35	35	35	
347-480	N	Y	N	N	Y	45	45	45	35	35	35	35	35	35	
347-480	N	Y	N	Y	N	50	50	50	35	35	35	35	35	35	
347-480	N	Y	Y	N	N	40	40	40	25	25	25	25	25	25	
347-480	Y	N	N	N	N	65	65	65	45	45	35	35	35	30	
347-480	Y	N	N	N	Y	45	45	45	35	35	35	35	35	30	
347-480	Y	N	N	Y	N	50	50	50	35	35	35	35	35	30	
347-480	Y	N	Y	N	N	40	40	40	25	25	25	25	25	25	
347-480	Y	Y	N	N	N	50	50	50	45	45	35	35	35	30	
347-480	Y	Y	N	N	Y	45	45	45	35	35	35	35	35	30	
347-480	Y	Y	N	Y	N	50	50	50	35	35	35	35	35	30	
347-480	Y	Y	Y	N	N	40	40	40	25	25	25	25	25	25	

BTP DEFAULT SETTINGS

Model	Default Operation	Occupancy Time Delay	Photocell Mode	Photocell Set-point	Low Trim	High Trim	Dim to Off Time Delay
SBG10BTP	On/Off Occupancy Only Disabled	10 minutes	Disabled	n/a	n/a	100%	Disabled
SBG6BTP	On/Off Occupancy Only Disabled	10 minutes	Disabled	n/a	n/a	100%	Disabled
SBG10BTP HL	Occupancy w/ 0-10V Dimming (High/Low/Off)	10 minutes	Disabled	n/a	10%	100%	2.5 minutes
SBG6BTP HL	Occupancy w/ 0-10V Dimming (High/Low/Off)	10 minutes	Disabled	n/a	10%	100%	2.5 minutes
SBG10BTP ADC	Occupancy w/ Dim & Switch Photocell	10 minutes	On/Off & Auto Dim	50 fc	10%	100%	0 seconds
SBG6BTP ADC	Occupancy w/ Dim & Switch Photocell	10 minutes	On/Off & Auto Dim	50 fc	10%	100%	0 seconds
SBG10BTP ANL	Dim & Switch Photocell with High/Low Occupancy Operation	10 minutes	On/Off & Auto Dim	50 fc	10%	100%	Stay Dim/Never Off
SBG6BTP ANL	Dim & Switch Photocell with High/Low Occupancy Operation	10 minutes	On/Off & Auto Dim	50 fc	10%	100%	Stay Dim/Never Off

EMERGENCY LUMENS

Battery Pack	Package	Wide Glass	Narrow Glass	Wide Acrylic	Narrow Acrylic	Wide Polycarbonate	Narrow Polycarbonate
BSL722	30L - 60L	3043	2957	3100	3021	2200	2145
E10WCP	12L - 24L	1541	1498	1570	1530	1114	1086
E10WCP	30L - 60L	1696	1648	1727	1684	1226	1195
E15WCPFMC	12L - 24L	2132	2072	2171	2116	1541	1502
E15WCPFMC	30L - 60L	2370	2303	2414	2353	1713	1670

LUMEN MAINTENANCE

	Ambient	0 Hours	15000 Hours	30000 Hours	36000 Hours	45000 Hours	60000 Hours	100000 Hours
12L	25	1	0.98	0.97	0.96	0.95	0.95	0.92
	30	1	0.98	0.97	0.96	0.96	0.95	0.92
	35	1	0.98	0.97	0.96	0.96	0.95	0.92
	40	1	0.98	0.97	0.96	0.96	0.95	0.92
	45	1	0.97	0.96	0.96	0.95	0.94	0.91
	50	1	0.97	0.96	0.95	0.94	0.93	0.90
	55	1	0.97	0.95	0.95	0.94	0.92	0.89
	60	1	0.97	0.95	0.94	0.93	0.92	0.87
	65	1	0.96	0.94	0.94	0.93	0.91	0.86

	Ambient	0 Hours	15000 Hours	30000 Hours	36000 Hours	45000 Hours	60000 Hours	100000 Hours
18L	25	1	0.98	0.97	0.96	0.96	0.95	0.92
	30	1	0.98	0.97	0.96	0.96	0.95	0.92
	35	1	0.97	0.96	0.96	0.95	0.94	0.91
	40	1	0.97	0.96	0.95	0.95	0.93	0.90
	45	1	0.97	0.95	0.95	0.94	0.93	0.89
	50	1	0.97	0.95	0.94	0.94	0.92	0.88
	55	1	0.96	0.95	0.94	0.93	0.91	0.87
	60	1	0.96	0.94	0.93	0.92	0.90	0.85
	65	1	0.95	0.92	0.91	0.90	0.88	0.83

	Ambient	0 Hours	15000 Hours	30000 Hours	36000 Hours	45000 Hours	60000 Hours	100000 Hours
24L	25	1	0.98	0.97	0.96	0.96	0.95	0.92
	30	1	0.97	0.96	0.95	0.95	0.94	0.91
	35	1	0.97	0.96	0.95	0.94	0.93	0.90
	40	1	0.97	0.95	0.95	0.94	0.92	0.88
	45	1	0.96	0.95	0.94	0.93	0.91	0.87
	50	1	0.96	0.94	0.93	0.92	0.90	0.86
	55	1	0.96	0.94	0.93	0.92	0.89	0.84
	60	1	0.94	0.91	0.90	0.89	0.86	0.80
	65	1	0.93	0.90	0.89	0.87	0.83	0.76

	Ambient	0 Hours	15000 Hours	30000 Hours	36000 Hours	45000 Hours	60000 Hours	100000 Hours
30L	25	1	0.97	0.96	0.96	0.96	0.95	0.93
	30	1	0.97	0.96	0.96	0.96	0.95	0.93
	35	1	0.97	0.96	0.96	0.96	0.95	0.93
	40	1	0.97	0.96	0.96	0.95	0.95	0.92
	45	1	0.97	0.96	0.96	0.95	0.94	0.92
	50	1	0.97	0.96	0.96	0.95	0.94	0.92
	55	1	0.96	0.95	0.95	0.94	0.92	0.91
	60	1	0.96	0.95	0.95	0.94	0.93	0.90
	65	1						

LUMEN MAINTENANCE

	Ambient	0 Hours	15000 Hours	30000 Hours	36000 Hours	45000 Hours	60000 Hours	100000 Hours
35L	25	1	0.97	0.96	0.96	0.96	0.95	0.93
	30	1	0.97	0.96	0.96	0.95	0.95	0.93
	35	1	0.97	0.96	0.96	0.95	0.94	0.92
	40	1	0.97	0.96	0.96	0.95	0.94	0.92
	45	1	0.96	0.95	0.95	0.94	0.93	0.91
	50	1	0.96	0.95	0.95	0.94	0.93	0.91
	55	1	0.96	0.95	0.95	0.94	0.93	0.90
	60	1	0.96	0.95	0.94	0.94	0.93	0.90
	65	1						

	Ambient	0 Hours	15000 Hours	30000 Hours	36000 Hours	45000 Hours	60000 Hours	100000 Hours
40L	25	1	0.97	0.96	0.96	0.95	0.95	0.93
	30	1	0.97	0.96	0.96	0.95	0.94	0.92
	35	1	0.97	0.96	0.96	0.95	0.94	0.92
	40	1	0.97	0.96	0.96	0.95	0.94	0.92
	45	1	0.96	0.95	0.95	0.94	0.93	0.91
	50	1	0.96	0.95	0.95	0.94	0.93	0.90
	55	1	0.96	0.95	0.94	0.94	0.93	0.90
	60	1	0.96	0.95	0.94	0.93	0.92	0.89
	65	1						

	Ambient	0 Hours	15000 Hours	30000 Hours	36000 Hours	45000 Hours	60000 Hours	100000 Hours
45L	25	1	0.97	0.96	0.96	0.95	0.94	0.92
	30	1	0.97	0.96	0.96	0.95	0.94	0.92
	35	1	0.96	0.95	0.95	0.94	0.93	0.91
	40	1	0.96	0.95	0.95	0.94	0.93	0.90
	45	1	0.96	0.95	0.94	0.94	0.93	0.90
	50	1	0.96	0.95	0.94	0.94	0.92	0.90
	55	1	0.96	0.95	0.94	0.93	0.91	0.86
	60	1	0.94	0.90	0.89	0.86	0.83	0.74
	65	1						

	Ambient	0 Hours	15000 Hours	30000 Hours	36000 Hours	45000 Hours	60000 Hours	100000 Hours
50L	25	1	0.97	0.96	0.96	0.95	0.94	0.92
	30	1	0.97	0.95	0.95	0.94	0.94	0.92
	35	1	0.96	0.95	0.95	0.94	0.93	0.91
	40	1	0.96	0.95	0.94	0.94	0.93	0.90
	45	1	0.96	0.95	0.94	0.94	0.92	0.90
	50	1	0.96	0.95	0.94	0.94	0.92	0.89
	55	1						
	60	1						
	65	1						

LUMEN MAINTENANCE

	Ambient	0 Hours	15000 Hours	30000 Hours	36000 Hours	45000 Hours	60000 Hours	100000 Hours
60L	25	1	0.96	0.95	0.94	0.94	0.93	0.90
	30	1	0.96	0.95	0.94	0.94	0.92	0.90
	35	1	0.96	0.95	0.94	0.93	0.91	0.86
	40	1						
	45	1						
	50	1						
	55	1						
	60	1						
	65	1						

OPTIONS AND ACCESSORIES



AO MODULE



LPM



HKM



PPH



LCPP

PHOTOMETRICS

See www.lithonia.com.

SBGR – EMBEDDED Motion Sensor (see www.acuitycontrols.com for additional information)

- 360° coverage
- On/Off dim
- Photocell optional
- IP65 rated
- Photocell and 0-10VDC dimming options.
- Maximum ambient temperature 50°C

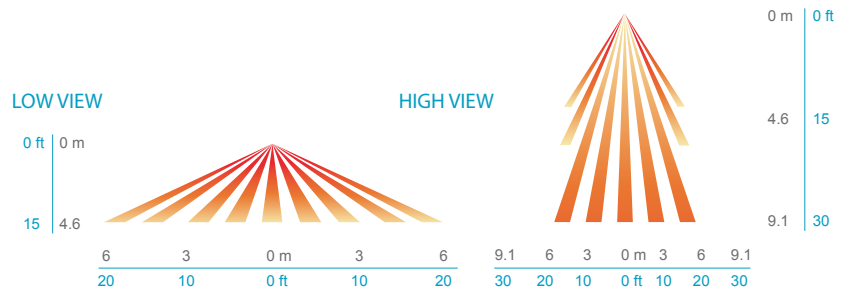


Lithonia nomenclature	Sensor Switch® nomenclature
For shortest lead times use one of the following SBGR configurations.	
MSE6NWL	SBGR 6 WH
MSE62L3VWL	SBGR 6 D WH 3V
MSE6NWL DSCNWL	SBGR 6 P WH
MSE10NWL	SBGR 10 WH
MSE102L3VWL	SBGR 10 D WH 3V
MSE10NWL DSCNWL	SBGR 10 P WH

COVERAGE PATTERNS

SITE & AREA LIGHTING / HIGH MOUNT APPLICATIONS

The **SBGR 6 ODP** is intended for higher applications, between 15-30 ft, and provides a coverage area radius for walking motion of 15-20 ft.



Coverage Pattern of High Mount Lens Option (SBGR 6 ODP)