



# KT-LED100PSHID-EX39-8XX-D /G4

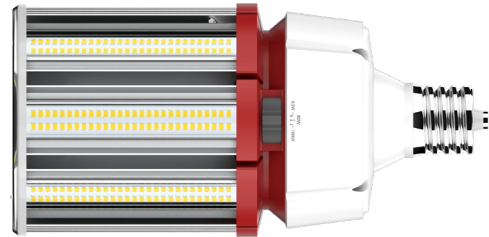
## HID REPLACEMENT LED LAMP

**DESCRIPTION**

100W HID Replacement LED Lamp | Power Select | 80 CRI | IP64



<b>LAMP TYPE:</b> HID Replacement LED
<b>BASE TYPE:</b> EX39 (Mogul)
<b>SELECTABLE WATTAGE:</b> 100W, 80W, 63W
<b>COLOR TEMPERATURE:</b> 3000K, 4000K, 5000K
<b>METAL HALIDE EQUIVALENT:</b> 400W
<b>COLOR RENDERING INDEX (CRI):</b> > 80
<b>WARRANTY:</b> 5 Years



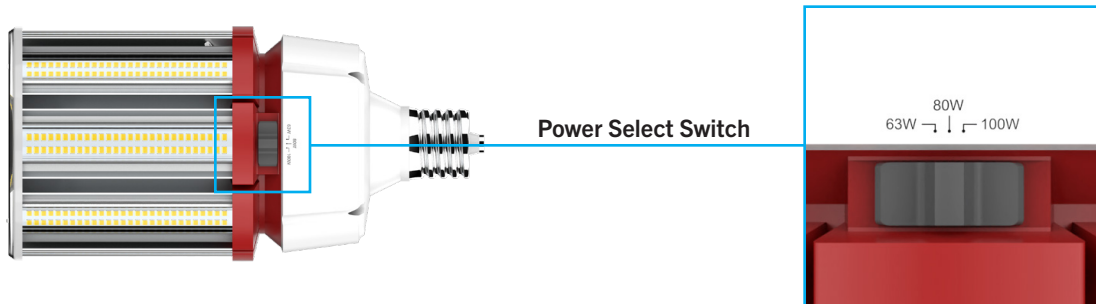
**PRODUCT FEATURES**

- Replacement for conventional metal halide lamp
- Environmentally friendly: No mercury used
- Instant startup
- Integral driver eliminates the need for external driver or ballast; includes 4kV surge protection
- Step dimmable with Power Select Switch. See below image.
- 50,000 + hour lifetime
- Operating temperature: -30°C/-22°F to 45°C/113°F
- Suitable for use in fully enclosed fixtures
- Minimum lamp compartment dimensions: 9.8" x 9.8" x 11.5"
- UL listed
- IP64 rated; integrated heat sink quickly dissipates heat and guides water intrusion out of the lamp

**ELECTRICAL AND PERFORMANCE SPECIFICATIONS**

Keystone Catalog Number	Input Voltage	Selectable Power	CCT	Lumens	Efficacy	Base Type	CRI	PF
KT-LED100PSHID-EX39-830-D /G4	120-277V	100W	3000K	13500	135 lm/W	EX39	>80	≥90
		80W		10800	135 lm/W			
		63W		8505	135 lm/W			
KT-LED100PSHID-EX39-840-D /G4	120-277V	100W	4000K	14000	140 lm/W	EX39	>80	≥90
		80W		11200	140 lm/W			
		63W		8820	140 lm/W			
KT-LED100PSHID-EX39-850-D /G4	120-277V	100W	5000K	14500	145 lm/W	EX39	>80	≥90
		80W		11600	145 lm/W			
		63W		9135	145 lm/W			

**SELECTABILITY**

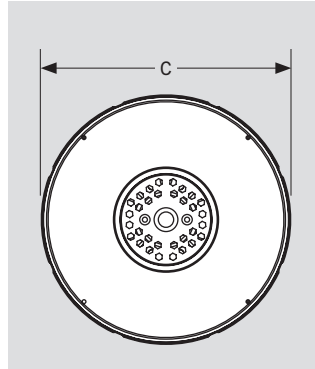
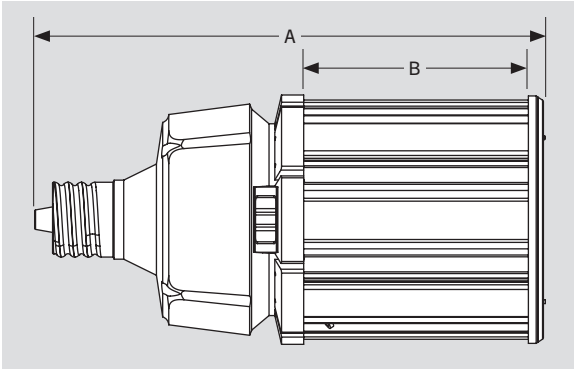




# KT-LED100PSHID-EX39-8XX-D /G4

## HID REPLACEMENT LED LAMP

### PHYSICAL CHARACTERISTICS



### LAMP DIMENSIONS

A (Body Length)	10.47"
B (Illuminated Length)	4.61"
C (Diameter)	5.12"

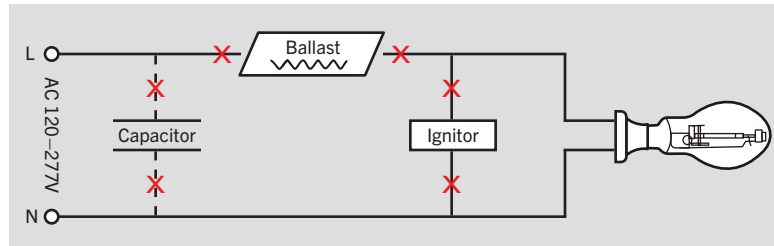
**BASE TYPE:** EX39 (Mogul)

### WIRING INSTRUCTIONS

#### STEP 1

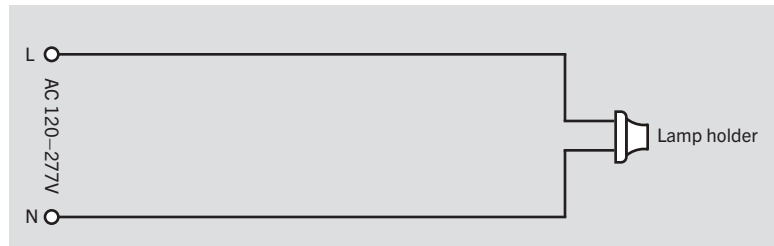
**Disconnect power.** Disconnect and remove existing ballast, capacitor, and/or ignitor (where applicable) from fixture.

*Note:* Follow all federal and local regulations when disposing of lamps and removed components.



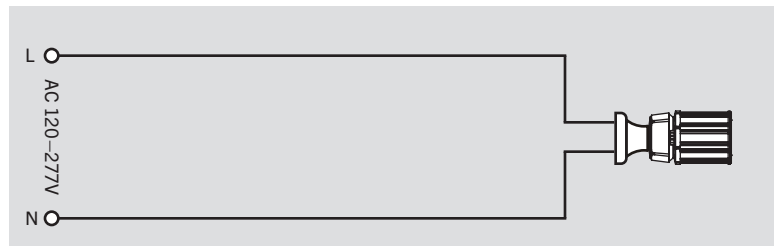
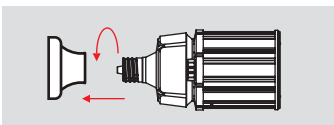
#### STEP 2

Rewire for line voltage to the lamp socket.

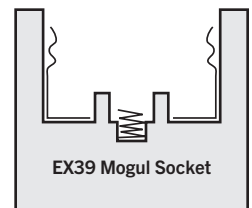
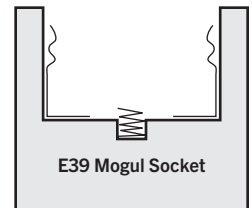


#### STEP 3

Install new LED replacement lamp. Ensure lamp is operating properly when power is turned on.



**EX39-based lamps** will work in *both* **E39** and **EX39** sockets.





# KT-LED100PSHID-EX39-8XX-D /G4

## HID REPLACEMENT LED LAMP

### ORDERING INFORMATION

ORDER CODE	PACK QTY.	UPC	EASY CODE
KT-LED100PSHID-EX39-830-D /G4	6	843654138428	KIC-60
KT-LED100PSHID-EX39-840-D /G4	6	843654138435	VCW-92
KT-LED100PSHID-EX39-850-D /G4	6	843654138442	AZJ-09

### CATALOG NUMBER BREAKDOWN

# KT-LED100PSHID-EX39-8XX-D /G4

1 2 3 4 5 6 7 8 9 10

- 1 Keystone Technologies
- 2 LED Lamp
- 3 Wattage
- 4 Power Select
- 5 Lamp Type
- 6 Base Type
- 7 80 CRI
- 8 Color Temperature
- 9 Direct Drive
- 10 Fourth Generation