



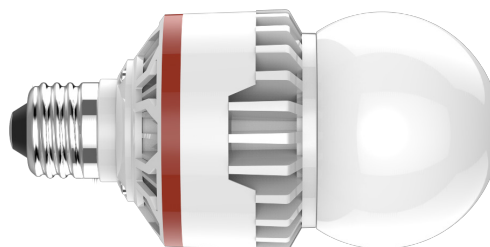
# KT-LEDXXA21-O-E26-8XX

## REPLACEMENT LAMP

Enclosed  
Fixture RatedRoHS  
Compliant5 YEAR  
WARRANTY

### DESCRIPTION

14–20W Commercial A21 Lamp | 2700–5000K | &gt; 80 CRI | Omni-Directional

**LAMP TYPE:** Commercial A21**BASE TYPE:** E26 (Medium)**WATTAGE:** 14–20W**COLOR TEMPERATURE:** 2700–5000K**COLOR RENDERING INDEX (CRI):** > 80**WARRANTY:** 5 Years

### PRODUCT FEATURES

- Up to 75% energy saving compared to legacy equivalent lamps
- Can be used in base-up or base-down position
- Rated for open and enclosed fixtures
- Large metal heatsink for optimal heat dissipation
- THD < 20%
- PF > 0.90
- Operating temperature range –4°F/–20°C to 113°F/45°C; 95°F/35°C max for fully enclosed fixture
- Ideal for post top, bollards, and outdoor corridor lighting
- Suitable for dry and damp location
- 1598C Rated pending

### PERFORMANCE SPECIFICATIONS

Keystone Catalog Number	Base Type	Rated Lamp Wattage	Legacy Equivalent Wattage	Color Temp	Lumens	Efficacy	Input Voltage	CRI	Beam Angle	Dimmable
KT-LED14A21-O-E26-827	E26	14W	100W incandescent	2700K	1764	126 lm/W	120–277V	> 80	340°	No
KT-LED14A21-O-E26-830	E26	14W	100W incandescent	3000K	1792	128 lm/W	120–277V	> 80	340°	No
KT-LED14A21-O-E26-840	E26	14W	100W incandescent	4000K	1918	137 lm/W	120–277V	> 80	340°	No
KT-LED14A21-O-E26-850	E26	14W	100W incandescent	5000K	1960	140 lm/W	120–277V	> 80	340°	No
KT-LED20A21-O-E26-827	E26	20W	150W incandescent	2700K	2500	125 lm/W	120–277V	> 80	340°	No
KT-LED20A21-O-E26-830	E26	20W	150W incandescent	3000K	2620	131 lm/W	120–277V	> 80	340°	No
KT-LED20A21-O-E26-840	E26	20W	150W incandescent	4000K	2720	136 lm/W	120–277V	> 80	340°	No
KT-LED20A21-O-E26-850	E26	20W	150W incandescent	5000K	2740	137 lm/W	120–277V	> 80	340°	No
KT-LED20A21-O-E26-827-DIM	E26	20W	150W incandescent	2700K	2460	123 lm/W	120V	> 80	340°	Yes
KT-LED20A21-O-E26-830-DIM	E26	20W	150W incandescent	3000K	2500	125 lm/W	120V	> 80	340°	Yes
KT-LED20A21-O-E26-840-DIM	E26	20W	150W incandescent	4000K	2620	131 lm/W	120V	> 80	340°	Yes
KT-LED20A21-O-E26-850-DIM	E26	20W	150W incandescent	5000K	2660	133 lm/W	120V	> 80	340°	Yes



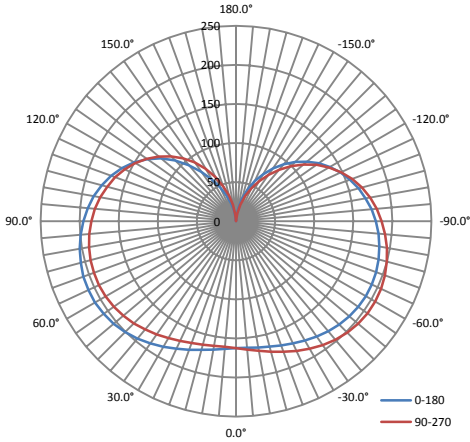
# KT-LEDXXA21-O-E26-8XX

## REPLACEMENT LAMP

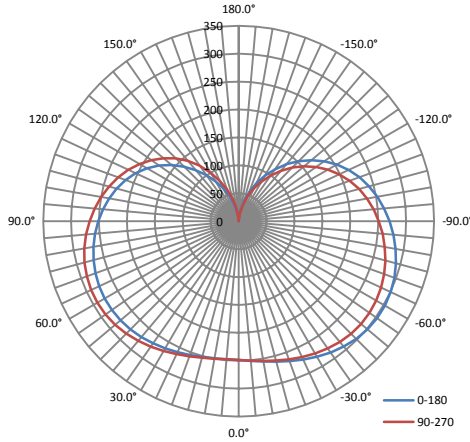
### PHOTOMETRIC SPECIFICATIONS

#### LUMINOUS INTENSITY DISTRIBUTION

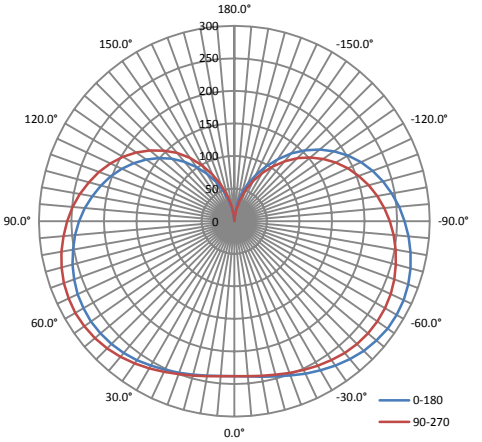
**KT-LED14A21-O-E26-850**



**KT-LED20A21-O-E26-850**



**KT-LED20A21-O-E26-850-DIM**

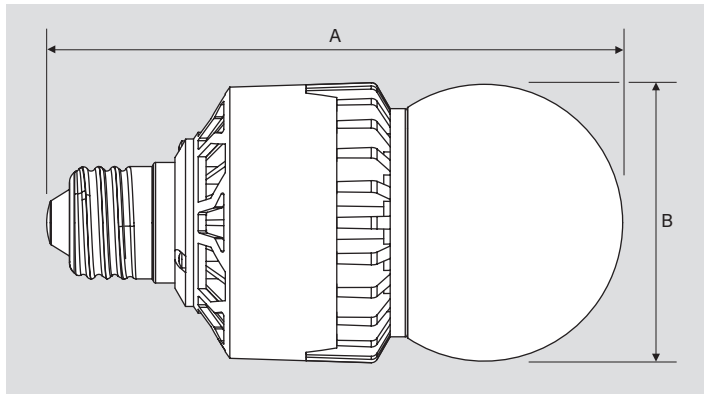


C Plane	50% MaxAng.	10% MaxAng.
■ C0.0_180.0	289.6	339.2
■ C90.0_270.0	291.1	339.5

C Plane	50% MaxAng.	10% MaxAng.
■ C0.0_180.0	281.1	336.7
■ C90.0_270.0	283.1	337.3

C Plane	50% MaxAng.	10% MaxAng.
■ C0.0_180.0	284.6	339.4
■ C90.0_270.0	285.6	338.9

### PHYSICAL SPECIFICATIONS



#### LAMP DIMENSIONS

<b>A (Length)</b>	5.26"
<b>B (Diameter)</b>	2.56"

**BASE TYPE:** E26 (Medium)

#### PACKAGING

<b>Carton Quantity</b>	24 pcs
<b>Carton Dimensions</b>	11.6" × 13.38" × 15"
<b>Carton Weight</b>	19.1 lbs



# KT-LEDXXA21-O-E26-8XX

## REPLACEMENT LAMP

### ORDERING INFORMATION

CATALOG NUMBER	EASY CODE	UPC
KT-LED14A21-O-E26-827	MKD-50	843654122700
KT-LED14A21-O-E26-830	LTE-35	843654122717
KT-LED14A21-O-E26-840	XEF-64	843654122724
KT-LED14A21-O-E26-850	XOI-75	843654122731
KT-LED20A21-O-E26-827	GAU-17	843654122748
KT-LED20A21-O-E26-830	SXF-69	843654122755
KT-LED20A21-O-E26-840	OPF-90	843654122762
KT-LED20A21-O-E26-850	XJH-40	843654122779
KT-LED20A21-O-E26-827-DIM	CLA-73	843654122786
KT-LED20A21-O-E26-830-DIM	JRC-19	843654122793
KT-LED20A21-O-E26-840-DIM	TMJ-80	843654122809
KT-LED20A21-O-E26-850-DIM	QHI-50	843654122816

### CATALOG NUMBER BREAKDOWN

# KT-LEDXXA21-O-E26-8XX

1 2 3 4 5 6 7 8

- 1** Keystone Technologies
- 2** LED Lamp
- 3** Wattage
- 4** Lamp Shape
- 5** Omni-Directional
- 6** Base Type
- 7** 80 CRI
- 8** CCT