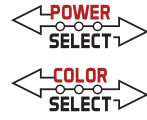




**FUTURE FIT**  
LINEAR LED KITS WITH ALUMAGROOVE



# KT-RKITXXPS-DXXL1-8CSA-VDIM

## LINEAR LED RETROFIT KIT

### DESCRIPTION

General Purpose Linear LED Modules and Driver style LED Retrofit Kit | UL1598C  
Classified Power & Color Select | 120-277V Input | TAA Compliant | 12V Aux Tap

### APPLICATION

Retrofit solution for a wide variety of ceiling mount and wall mount lighting needs including troffers, wraps, strips and sconce style fixtures.



**10 YEAR**  
LIMITED WARRANTY

### PRODUCT FEATURES

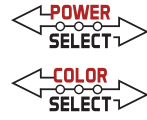
- Board & Driver style LED Retrofit kit designed to upgrade legacy fixtures without the modifying the existing fixtures mounting, lensing, or the overall housing of the fixture
- Ideal Replacement Solution for T8, T12, T5, or early LED tubes, in favor of long lasting high efficacy LED modules with fulling dimming capability and 10 year limited warranty
- Keystone Color Select Technology: Adjustable CCT (3500/4000/5000K)
- Keystone Power Select Technology: (See *Performance Specifications for details*)
- Each kit includes (1) Power & Color Selectable LED Driver, (2) Alumagroove style LED modules, (2) Optional Lenses, & various mounting accessories (Tek Screws, Wire Nuts, and Power Quick Disconnect)
- Ambient operating temperature:  $-20^{\circ}\text{C}/-4^{\circ}\text{F}$  to  $55^{\circ}\text{C}/131^{\circ}\text{F}$
- LED chip lifetime: L70 >100,000 hrs @  $25^{\circ}\text{C}/77^{\circ}\text{F}$  ambient fixture temperature
- Power Factor >0.90, THD: <20%
- Meets FCC Part 15, Part B, Class A standards for conducted and radiated emissions
- UL1598C Classified Retrofit Kit. Suitable for Field Installation. Suitable for dry and damp location
- Powered by Keystone 0-10V Dimming LED Driver, with Dim-to-Off (ANSI C137.1 Compliant)
- Compatible with Keystone SmartSafe emergency LED drivers
- Flicker Free Driver Output
- 2KV surge protection
- LED Driver includes 12V AUX Tap

### PERFORMANCE SPECIFICATIONS OVERVIEW

Catalog Number	Selectable Wattage	Preset CCT	Lumens	Efficacy	Input Voltage	CRI	Power Factor	Lifetime
KT-RKIT18PS-D11L1-8CSA-VDIM	18W	4000K	2,850	158 lm/W	120-277V	>80	>0.9	50,000hrs
	14W	4000K	2,275	163 lm/W				
	10W	4000K	1,550	155 lm/W				
KT-RKIT32PS-D22L1-8CSA-VDIM	32W	4000K	5,015	157 lm/W				
	23W	4000K	3,795	165 lm/W				
	17W	4000K	2,850	168 lm/W				
KT-RKIT40PS-D44L1-8CSA-VDIM	40W	4000K	6,050	151 lm/W				
	30W	4000K	4,775	159 lm/W				
	23W	4000K	3,680	160 lm/W				

\* Color Select: Preset to (4000K)

\* Color Uniformity: CCT (Correlated Color Temperature) range as per guidelines outlined in ANSI C78.377-2017.



# KT-RKITXXPS-DXXL1-8CSA-VDIM

## LINEAR LED RETROFIT KIT

### PERFORMANCE SPECIFICATIONS DETAILED

**KIT SPECIFICATIONS:** KT-RKIT18PS-D11L1-8CSA-VDIM

**Driver:** KTLD-18-UV-PS460-36-CS-VDIM-LS1

**Module:** KT-RKIT-LB-11L1-8CSA

**Lens:** KTAG-11L-LENS

1' LINEAR KIT   80 CRI   SWITCHABLE BETWEEN 18W/14W/10W   0-10V DIMMING							
Selectable CCT	Input Voltage	Driver Efficiency	No. of Modules	Total System Driver Current	Drive Current Per Module	Total System Lumens	Total System Efficacy
Set at 18W							
3500K	120-277Vac	83%	2	460mA	230mA	2785	155 lm/W
4000K						2850	158 lm/W
5000K						2780	154 lm/W
Set at 14W							
3500K	120-277Vac	81%	2	360mA	180mA	2235	160 lm/W
4000K						2275	163 lm/W
5000K						2225	159 lm/W
Set at 10W							
3500K	120-277Vac	79%	2	250mA	125mA	1540	154 lm/W
4000K						1550	155 lm/W
5000K						1530	153 lm/W

**KIT SPECIFICATIONS:** KT-RKIT32PS-D22L1-8CSA-VDIM

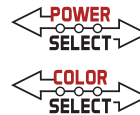
**Driver:** KTLD-32-UV-PS820-36-CS-VDIM-LS1

**Module:** KT-RKIT-LB-22L1-8CSA

**Lens:** KTAG-22L-LENS

2' LINEAR KIT   80 CRI   SWITCHABLE BETWEEN 32W/23W/17W   0-10V DIMMING							
Selectable CCT	Input Voltage	Driver Efficiency	No. of Modules	Total System Driver Current	Drive Current Per Module	Total System Lumens	Total System Efficacy
Set at 32W							
3500K	120-277Vac	85%	2	820mA	410mA	4950	155 lm/W
4000K						5015	157 lm/W
5000K						4900	153 lm/W
Set at 23W							
3500K	120-277Vac	84%	2	610mA	305mA	3755	163 lm/W
4000K						3795	165 lm/W
5000K						3735	162 lm/W
Set at 17W							
3500K	120-277Vac	83%	2	460mA	230mA	2840	167 lm/W
4000K						2850	168 lm/W
5000K						2820	166 lm/W

(Performance Specifications Detailed continued on next page)



# KT-RKITXXPS-DXXL1-8CSA-VDIM

## LINEAR LED RETROFIT KIT

**PERFORMANCE SPECIFICATIONS DETAILED (continued)**

**KIT SPECIFICATIONS:** KT-RKIT40PS-D44L1-8CSA-VDIM

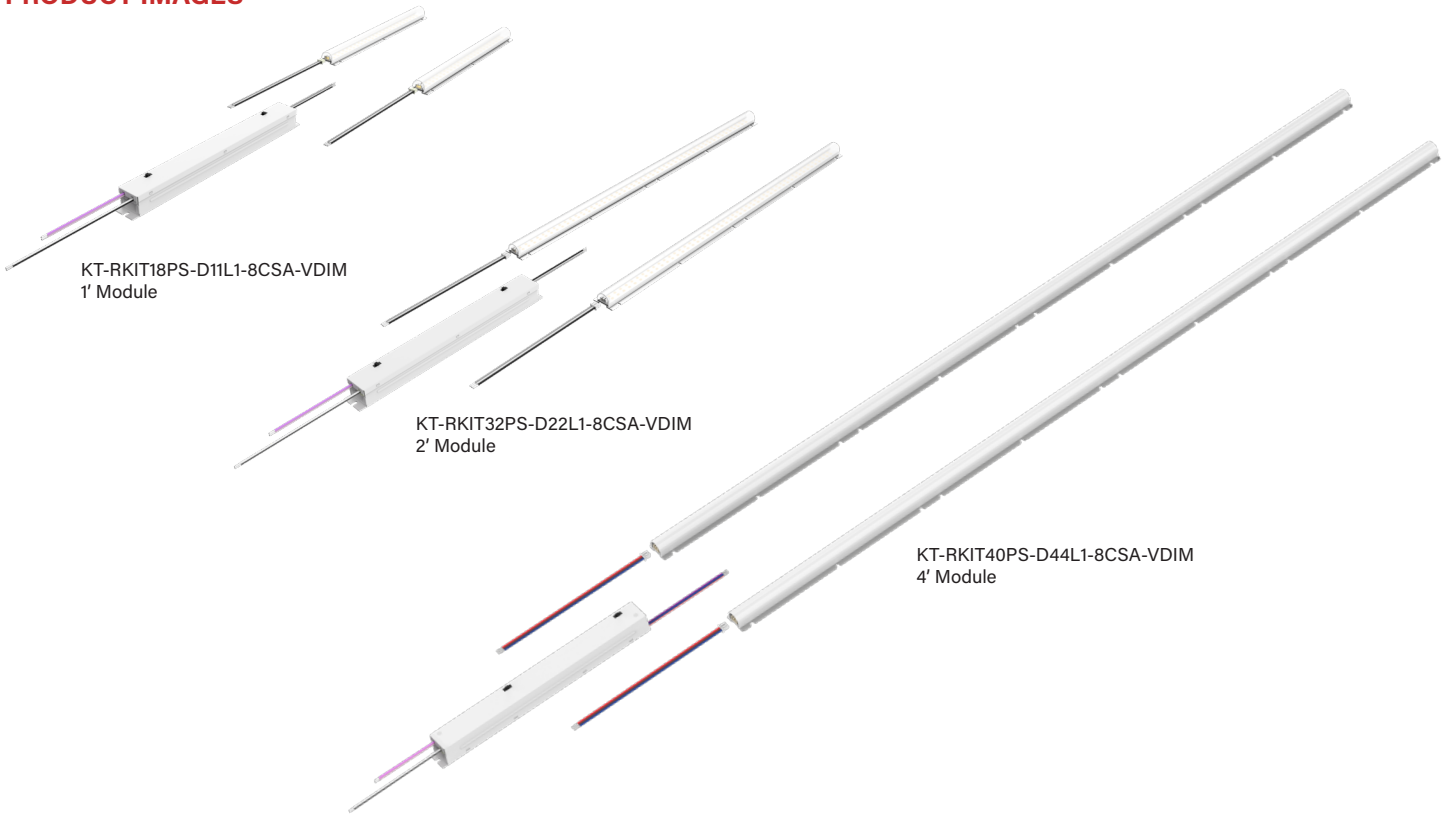
**Driver:** KTLD-40-UV-PS1030-36-CS-VDIM-LS1

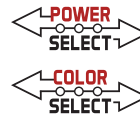
**Module:** KT-RKIT-LB-44L1-8CSA

**Lens:** KTAG-44L-LENS

4' LINEAR KIT   80 CRI   SWITCHABLE BETWEEN 40W/30W/23W   0-10V DIMMING							
Selectable CCT	Input Voltage	Driver Efficiency	No. of Modules	Total System Driver Current	Drive Current Per Module	Total System Lumens	Total System Efficacy
Set at 40W							
3500K	120-277Vac	85%	2	1030mA	515mA	5950	149 lm/W
4000K						6050	151 lm/W
5000K						6025	151 lm/W
Set at 30W							
3500K	120-277Vac	85%	2	800mA	400mA	4710	157 lm/W
4000K						4775	159 lm/W
5000K						4750	158 lm/W
Set at 23W							
3500K	120-277Vac	84%	2	620mA	310mA	3645	158 lm/W
4000K						3680	160 lm/W
5000K						3675	160 lm/W

**PRODUCT IMAGES**



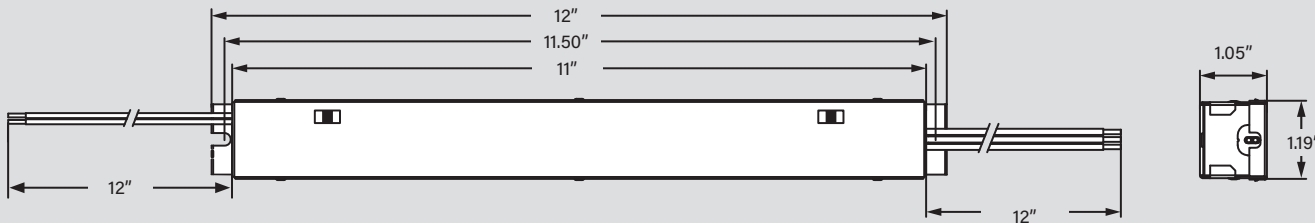


# KT-RKITXXPS-DXXL1-8CSA-VDIM

## LINEAR LED RETROFIT KIT

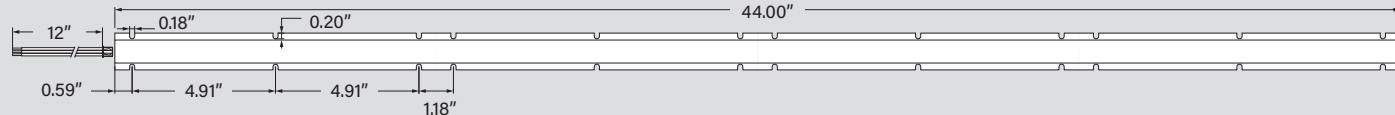
### PHYSICAL SPECIFICATIONS

#### DRIVER

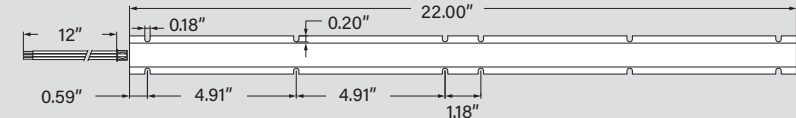


#### LED MODULES

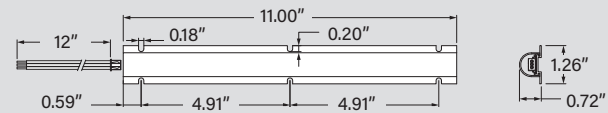
KT-RKIT-LB-44L1-8CSA



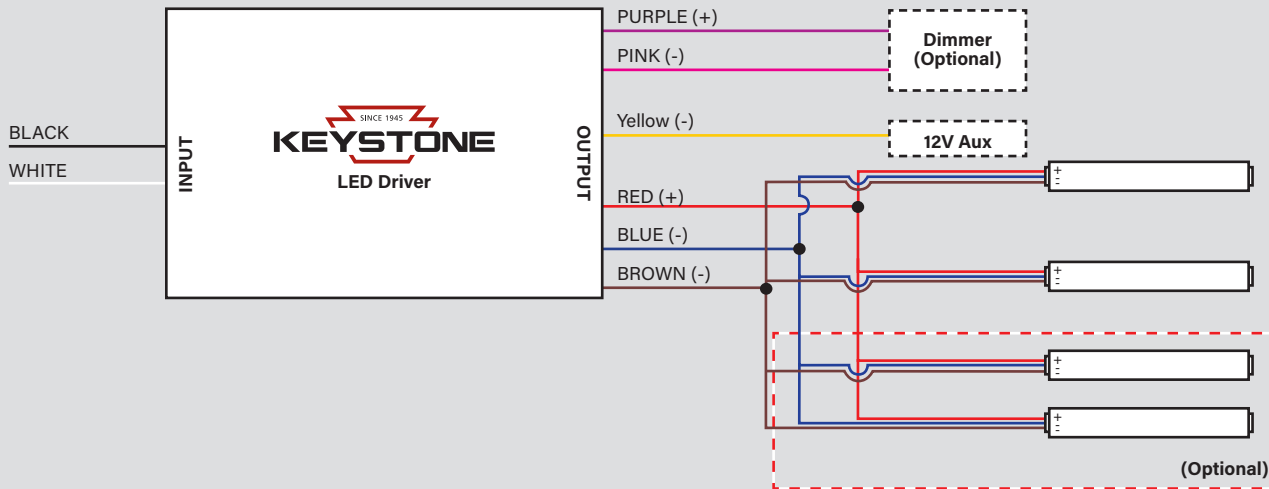
KT-RKIT-LB-22L1-8CSA



KT-RKIT-LB-11L1-8CSA



### WIRING SPECIFICATIONS

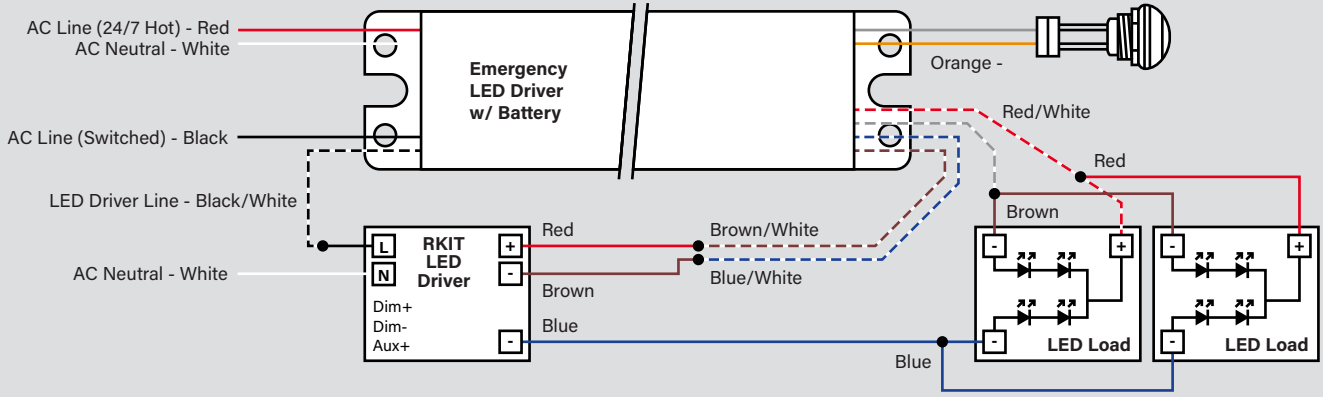


# KT-RKITXXPS-DXXL1-8CSA-VDIM

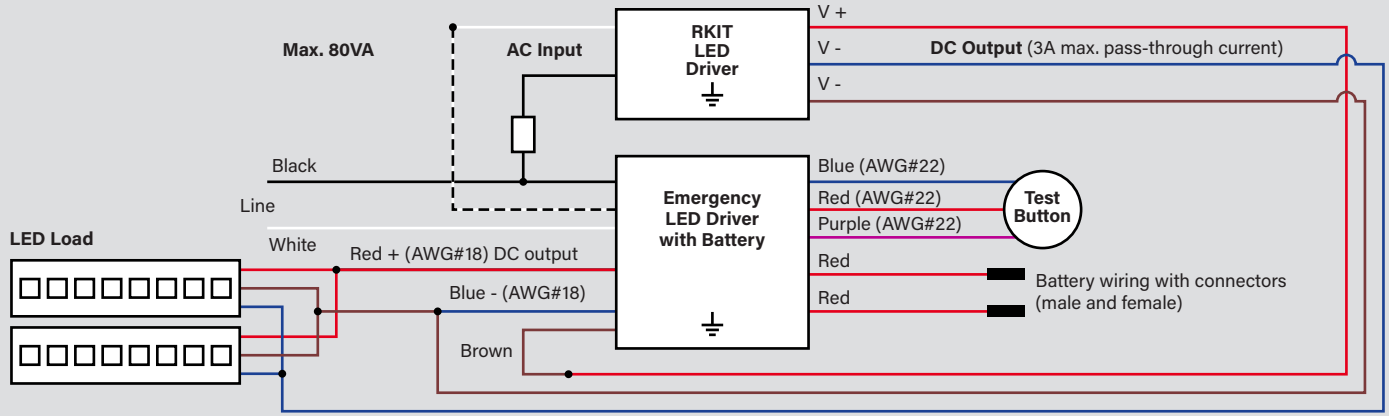
## LINEAR LED RETROFIT KIT

### WIRING SPECIFICATIONS (continued)

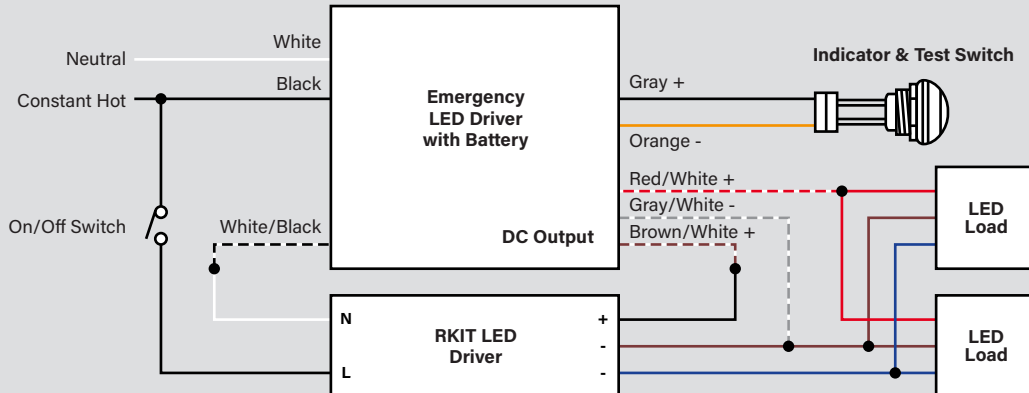
COMPATIBLE WITH: KT-EMRG-LED-4BC-400-EN2 & KT-EMRG-LED-10BC-1000-EN3

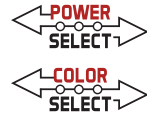


COMPATIBLE W/: KT-EMRG-LED-5C-500-SEN & KT-EMRG-LED-12C-1200-K1



COMPATIBLE W/: KT-EMRG-LED-14BC-1400-EN





# KT-RKITXXPS-DXXL1-8CSA-VDIM

## LINEAR LED RETROFIT KIT

### INSTALLATION GUIDELINES

- Self Tapping Tek Screws are included to secure LED modules to fixture metal work
- Driver is to be mounted in existing ballast channel / wireway
- LED modules include quick plug wiring connector for easy & fast installation with LED driver output wires

### LED MODULES

Catalog number	Description	UPC	Easy Code
KT-RKIT-LB-11L1-8CSA	11" LED Module	843654174600	RSY-96
KT-RKIT-LB-22L1-8CSA	22" LED Module	843654174617	MPI-49
KT-RKIT-LB-44L1-8CSA	44" LED Module	843654174624	ARJ-04

- Each Kit can be expanded to utilize an additional one or two LED Modules (3 or 4 LED Modules in total) to better meet the needs of a desired retrofit. (i.e. 3 LED Modules for parabolic troffer or 4 LED Modules for a recessed cove or staggered strip application).
- Total power consumption of the retrofit remains the same, regardless of 2, 3, or 4 LED Modules being used. Total lumen output increases approximately 3% with each additional LED Modules used, up to a maximum of 4 LED Modules. (Max of 4 LED Modules per kit).

### ACCESSORIES

#### SENSORS/CONTROLLERS

**Field-Installable** (field-installable purchased separately)

Catalog number	Description	UPC	Easy Code
KTSL-FC1-UV-KO	Bluetooth Mesh Wireless Fixture Controller for SmartLoop System. 120-277V Input. 3A Max Load with 0-10V Dimming	843654129242	PGZ-80
KTSL-FC1-UV-KO-PIR	Bluetooth Mesh Wireless Fixture Controller for SmartLoop System with remote mountable daylight and PIR motion sensor. 120-277V Input. 3A Max Load with 0-10V Dimming	843654129259	MGZ-59
KTSL-FC2-12V-SM-PIR	Bluetooth Mesh Wireless low voltage individual fixture controller for SmartLoop system with integrated daylight and PIR motion sensors, 12V, 0-10V Dimming	843654135236	TCM-01

\* Additional control options available for OEM integration. Please contact Keystone for more information.

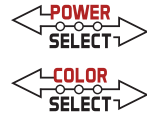
#### EMERGENCY BACKUPS

**Field-Installable** (field-installable purchased separately)

Catalog number	Description	UPC	Easy Code
KT-EMRG-LED-4BC-400-EN2	LED Emergency Back-Up, One Piece 4W Constant Wattage Design, Approx 400 Lumens, 90 Min Operation, 120-277V Input, Auto Battery Connect, CEC T20 Compliant.	843654175515	DQN-36
KT-EMRG-LED-5C-500-SEN	LED Emergency Back-Up, One Piece Slim 5W Constant Wattage Design, Approx 500 Lumens, 90 Min Operation, 120-277 Input, CEC T20 Compliant.	843654128276	CPO-29
KT-EMRG-LED-10BC-1000-EN3	LED Emergency Back-Up, One Piece 10W Constant Wattage Design, Approx 1000 Lumens, 90 Min Operation, 120-277 Input, Auto Battery Connect, CEC T20 Compliant.	843654167602	WUV-99
KT-EMRG-LED-12C-1200-K1	LED Emergency Back-Up, Two Piece 12W Constant Wattage Design, Approx 1200 Lumens, 90 Min Operation, 120-277 Input, CEC T20 Compliant.	843654168081	LMU-31
KT-EMRG-LED-14BC-1400-EN	LED Emergency Back-Up, One Piece 14W Constant Wattage Design, Approx 1400 Lumens, 90 Min Operation, 120-277 Input, Auto Battery Connect, CEC T20 Compliant.	843654175522	NBQ-39

\* Additional Emergency Backup options available for OEM integration. Please contact Keystone for more information.

(Ordering Information continued on next page)



# KT-RKITXXPS-DXXL1-8CSA-VDIM

## LINEAR LED RETROFIT KIT

**ORDERING INFORMATION (continued)**

**LED PANEL LED MODULE RETROFIT KIT**

Catalog Number	Carton QTY.	UPC	Easy Code	DLC Product ID
KT-RKIT18PS-D11L1-8CSA-VDIM	20	843654174570	BJS-23	S-TLLBCR
KT-RKIT32PS-D22L1-8CSA-VDIM	20	843654174587	HZN-60	S-N27338
KT-RKIT40PS-D44L1-8CSA-VDIM	20	843654174594	JHU-20	S-FP0DQM

**LED MODULE ACCESSORIES**

Catalog Number	Carton QTY.	UPC	Easy Code
KT-RKIT-LB-11L1-8CSA	100	843654174600	RSY-96
KT-RKIT-LB-22L1-8CSA	50	843654174617	MPI-49
KT-RKIT-LB-44L1-8CSA	30	843654174624	ARJ-04

**CATALOG NUMBER BREAKDOWN**

**LED PANEL LED MODULE RETROFIT KIT**

# KT-RKITXXPS-DXXL1-8CSA-VDIM

- 1
- 2
- 3
- 4
- 5
- 6
- 7
- 8
- 9
- 10
- 11

**1 Keystone Technologies**

**2 Retrofit Kit**

**3 Wattage**

**4 Power Select**

**5 Dual LED Module**

**6 Nominal Size**

**7 Form Factor**

**8 80 CRI**

**9 Color Select**

**10 Color Select Designation**

**11 0-10V Dimming**

**3 Wattage**

18	18W/14W/10W
32	32W/23W/17W
40	40W/30W/23W

**6 Nominal Size**

11L	11"
22L	22"
44L	44"

**10 Color Select Designation**

A	3500K, 4000K, 5000K
---	---------------------

**LED MODULE ACCESSORIES**

# KT-RKIT-LB-XXL1-8CSA

- 1
- 2
- 3
- 4
- 5
- 6
- 7
- 8

**1 Keystone Technologies**

**2 Retrofit Kit**

**3 LED Module**

**4 Nominal Size**

**5 Form Factor**

**6 80 CRI**

**7 Color Select**

**8 Color Select Designation**

**4 Nominal Size**

11L	11"
22L	22"
44L	44"

**8 Color Select Designation**

A	3500K, 4000K, 5000K
---	---------------------