



# KTLD-100-UV-24V-A02

## CONSTANT VOLTAGE LED DRIVER

### DESCRIPTION

LED Driver | 100W | 120–277V Input | 24V Output



**TOTAL POWER:** 100W

**INPUT VOLTAGE:** 120–277Vac  $\pm$ 10%

**INPUT FREQUENCY:** 50/60Hz

**OUTPUT VOLTAGE:** 24V

**LOCATION:** Suitable for Dry and Damp Locations

**WARRANTY:** 5 Years

### ELECTRICAL SPECIFICATIONS

Input Voltage Range	120–277Vac $\pm$ 10%
Frequency	50/60 Hz
Power Factor	>0.9 under 120–277Vac Input with 80~100% load condition (for all output voltage)
Inrush Current	20A @230V
Max. Input Current	0.94A @120V, 0.47A @240V, and 0.41A @277V
THD	<20% under 120–277Vac input with 80~100% load condition (for all output voltage)
Load Regulation	$\pm$ 2%
Line Regulation	$\pm$ 1%
Voltage Tolerance	$\pm$ 5% at full load condition
Turn-On Delay Time	<2.00 seconds at full load condition
Overshoot	<10% at full load condition
No Load Power Consumption	<3W
Ripple and Noise (pk–pk)	<3%
Withstand Voltage	Input to output, 2,800Vdc, 2mA
Leakage Current	Maximum 0.5mA @277Vac, 60Hz input
Protection	<ul style="list-style-type: none"> <li><b>Over-Voltage Protection:</b> Hiccup mode. Protection will trigger when load voltage exceeds specified output voltage and will auto-recover after the fault mode is removed.</li> <li><b>Over-Current Protection:</b> Hiccup mode. Protection will trigger when load current exceeds specified output current and will auto-recover after the fault mode is removed.</li> <li><b>Short-Circuit Protection:</b> Hiccup mode. Protection will trigger when short-circuit occurs and will auto-recover after the fault mode is removed.</li> </ul>

### PRODUCT SPECIFICATIONS

Catalog Number	Max. Output Power	Output Current	Output Voltage	OCV	Typical Efficiency at 120V	Typical Efficiency at 240V	Typical Efficiency at 277V	Remote Mounting Distance (#18 AWG)	Class 2	
									US	Canada
KTLD-100-UV-24V-A02	96W	0–4A	24V	25V	87%	88%	88%	9 ft	✓	✓

### ENVIRONMENTAL SPECIFICATIONS

Operating Temperature	–40°C/–40°F to 60°C/140°F
Storage Temperature	–40°C/–40°F to 85°C/185°F
Humidity	5% to 95%
MTBF	258,000 hours at 40°C/104°F ambient (~70°C/158°F case temperature)
Life Rating	80,000 hours at 120Vac input, 100% load, and 60°C/140°F case temperature
Maximum Case Temperature	90°C/194°F

### SAFETY AND EMC COMPLIANCE

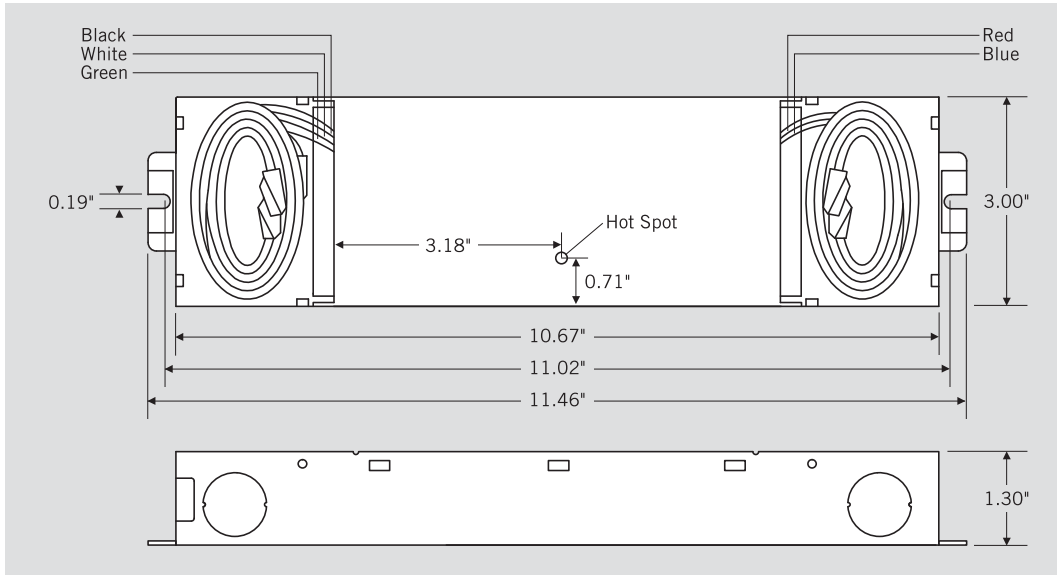
UL/cUL	UL 8750
FCC, 47CFR Part 15	ANSI C63.4:2009 Class B (Consumer Limit)



# KTLD-100-UV-24V-A02

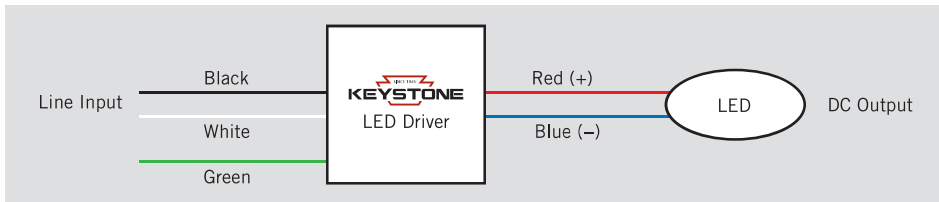
## CONSTANT VOLTAGE LED DRIVER

### PHYSICAL SPECIFICATIONS



<b>Length</b>	11.46"
<b>Width</b>	3.00"
<b>Height</b>	1.30"
<b>Mounting</b>	11.02"

### WIRING DIAGRAM



### WIRING SPECIFICATIONS

<b>Input</b>	<b>Black</b>	12.00", UL 1316 #18AWG
	<b>White</b>	12.00", UL 1316 #18AWG
	<b>Green</b>	12.00", UL 1316 #18AWG
<b>Output</b>	<b>Red</b>	12.00", UL 1316 #18AWG
	<b>Blue</b>	12.00", UL 1316 #18AWG

### ORDERING INFORMATION

ORDER CODE	PACKAGING STYLE	PACK QUANTITY	ITEM STATUS
KTLD-100-UV-24V-A02-CP	Carton Pack	15 ea.	Quick Ship

### CATALOG NUMBER BREAKDOWN

# KTLD-100-UV-24V-A02-CP

- 1
- 2
- 3
- 4
- 5
- 6

- 1** Keystone Technologies LED Driver
- 2** Max. Output Wattage
- 3** 120–277V Input
- 4** Output Voltage
- 5** Case Style
- 6** Packaging Style