



KTLD-60-UVN-12V-SC1

CONSTANT VOLTAGE LED DRIVER

DESCRIPTION

LED Driver | 60W | 120-277Vac Input | 12Vdc Output

Class 2 Class P   **10 YEAR LIMITED WARRANTY**

TOTAL POWER: 60W	OUTPUT VOLTAGE: 12Vdc
INPUT VOLTAGE: 120-277Vac $\pm 10\%$	OUTPUT CURRENT: 0-5000mA
INPUT FREQUENCY: 50/60 Hz	WARRANTY: 10 Year Limited



PRODUCT FEATURES

- Slim Form Factor, Metal Case
- Flicker Free - T24: JA8 & IEE1789 Compliant
- Class 2, Class P
- Type HL
- IP20 Rated, Dry and Damp Location
- Operating Temperature: -40°C/-40°F to 50°C/122°F

ELECTRICAL SPECIFICATIONS

Input Voltage Range	120-277Vac $\pm 10\%$
Frequency	50/60 Hz
Power Factor	>0.5
Inrush Current	48.85 A _{peak} , i ² t = 0.667 A ² s @ 120V, 128.9 A _{peak} , i ² t = 5.151 @ 277V
Max. Input Current	<1.2A (Vin @120 Vac), <0.55A (Vin @ 277Vac)
THD	<20% for 50-100% Load (Vin @120Vac2)
Load Regulation	$\pm 5\%$
Line Regulation	$\pm 1\%$
Output Tolerance	$\pm 5\%$ at Full Load Condition
Turn-On Delay Time	<0.5 Seconds, Cold Start
Overshoot	<10%
Ripple and Noise (pk-pk)	<10%
Leakage Current	<0.75mA (Vin @ 277Vac)
Protection	<ul style="list-style-type: none"> • Over Voltage Protection: Latch mode. Protection will trigger when load voltage exceeds specified output voltage and will auto recover after the fault mode is removed. • Over Current Protection: Hiccup mode. Protection will trigger when load current exceeds specified output current and will auto recover after the fault mode is removed. • Short Circuit Protection: Hiccup mode. Protection will trigger when short circuit and will auto recover after the fault mode is removed. • Over Temperature Protection: Protection will trigger when driver overheats and auto-recovery when cooled down.
Surge Rating	2.5 kV Ring Wave



KTLD-60-UVN-12V-SC1

CONSTANT VOLTAGE LED DRIVER

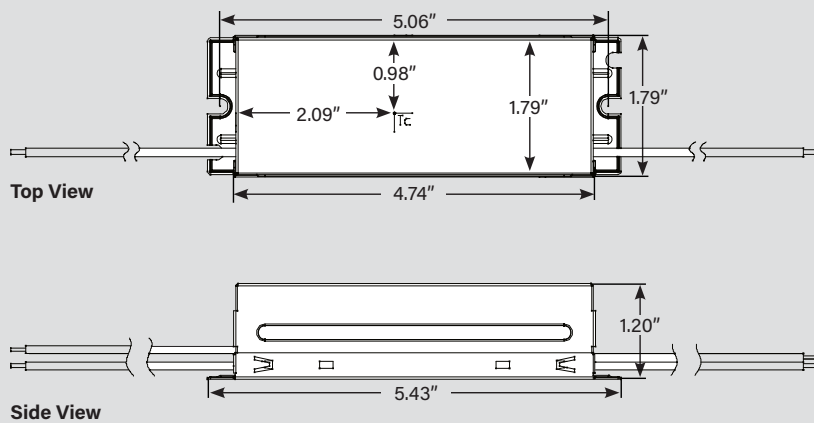
PRODUCT SPECIFICATIONS

Max. Output Power	Output Current	Output Voltage	OCV	Typical Efficiency at 120V	Typical Efficiency at 277V	Remote Mounting Distance (#18 AWG)	Class 2	
							US	Canada
60W	0-5000mA	12Vdc	60V	84%	85%	24 ft.	✓	✓

WIRING SPECIFICATIONS

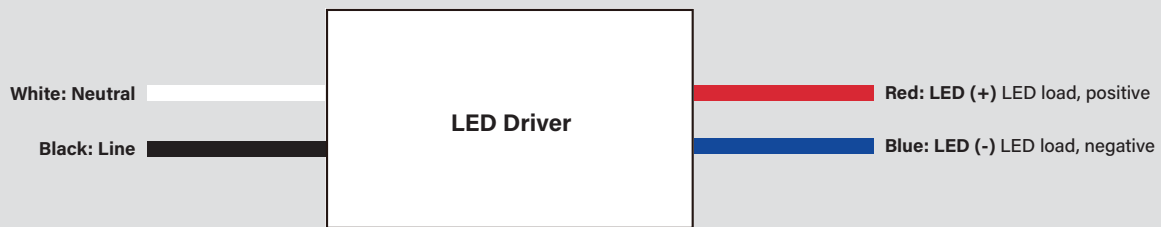
INPUT	12", UL 1015 #18AWG (Black and White)
OUTPUT	12", UL 1015 #18AWG (Red and Blue)

PHYSICAL SPECIFICATIONS



Wiring Diagram

KTLD-60-UVN-12V-SC1



ENVIRONMENTAL SPECIFICATIONS

Operating Temperature	-40°C/-40°F to 50°C/122°F
Storage Temperature	-40°C/-40°F to 85°C/185°F
Humidity	10% to 90% RH
MTBF	>200,000 Hours at Full Load, 25°C/77°F Ambient Temperature
Life Rating	>50,000 Hours at Full Load, 83°C/181°F Case Temperature
Maximum Case Temperature	90°C/194°F
Maximum Case Temperature (tc) for 5-Year Warranty	83°C/181.4°F

SAFETY AND EMC COMPLIANCE

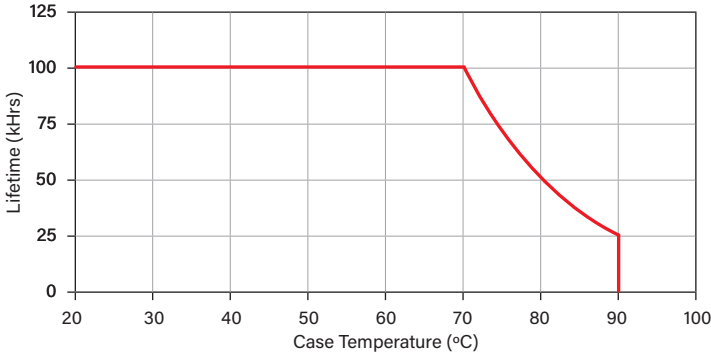
UL/cUL	UL8750, Class 2, Class P, Type HL CAN/CSA-C22.2 No. 250.13
FCC, 47CFR Part 15	Class A



KTLD-60-UVN-12V-SC1

CONSTANT VOLTAGE LED DRIVER

LIFETIME VS CASE TEMPERATURE



ORDERING INFORMATION

ORDER CODE	PACKAGING STYLE	PACK QUANTITY	ITEM STATUS	UPC	EASY CODE
KTLD-60-UVN-12V-SC1	Carton Pack	10	Quick Ship	843654127149	NGI-18

CATALOG NUMBER BREAKDOWN

KTLD-60-UVN-12V-SC1

- 1
- 2
- 3
- 4
- 5
- 6

- 1** Keystone Technologies LED Driver
- 2** Max. Output Wattage
- 3** 120-277V Input
- 4** Normal Power Factor
- 5** Voltage Output
- 6** Case Style