



PART NO.	BASE TYPE	DESIGN VOLTS	DESIGN AMPS	WATTS	AVERAGE LIFE HOURS
L1006MB Series (See Below)	Miniature Bayonet (BA9s)	6.0V AC/DC	50mA ±10%	0.3W	10,000

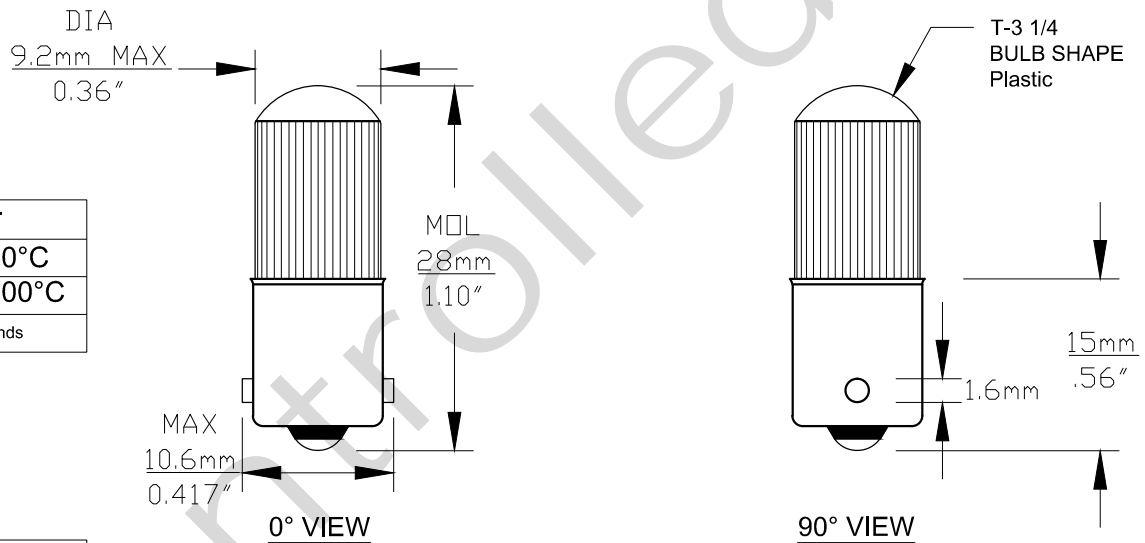
REVISIONS			
REV #	DESCRIPTION	DATE	APPROVED
1	ISSUED	03/03/2011	D.C.
2	ADDITION OF WHITE	11/16/2011	D.C.
3	ADDED WW, A & B. REVISED WATTS	08/02/2018	R.M.
4	REVISED mA, W, LM, LM/W, WAVELENGTH	08/05/2021	M.L.

Electronics and Optical Characteristics: Ta=25°C

TEST CONDITION:

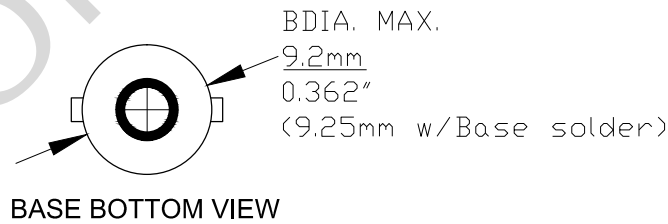
Power: 0.3W
Current: 50±10%mA

PARAMETER	MAX UNIT
Operating Temperature Range	-20°C to +50°C
Storage Temperature Range	-40°C to +100°C
Lead Solder Temperature 1.6mm Below Package 260°C for 5 Seconds	



PART NO.	EMITTING COLOR	LUMINOUS INTENSITY Unit: LM Error margin: ±5%	EFFICACY Unit: LM/W	DOMINANT WAVELENGTH Unit: nm
L1006MB-W	SUPER WHITE	20	66.7	x:0.31 y:0.32
L1006MB-WW	WARM WHITE	20	66.7	x:0.42 y:0.39
L1006MB-A	AMBER	5.8	19.3	590~595
L1006MB-B	ULTRA BLUE	4.5	15.0	465~470
L1006MB-G	ULTRA GREEN	16	53.3	525~530
L1006MB-R	SUPER RED	6	20	625~630

PART NO.	COLOR TEMPERATURE Unit: K	SINGLE LED INTENSITY Unit: mcd (1m)	VIEWING ANGLE Unit: deg
L1006MB-W	6500	2100	89.0
L1006MB-WW	3000	1800	89.0
L1006MB-A	1608	750	111.7
L1006MB-B	>=100000	450	103.2
L1006MB-G	7698	1650	110.5
L1006MB-R	1001	900	90.3



UNLESS OTHERWISE SPECIFIED: DIMENSIONS ARE IN INCHES TOLERANCES		CEC INDUSTRIES LTD	
DECIMALS .XX ± .05		599 BOND STREET LINCOLNSHIRE, IL 60069	
ANGULAR .XXX ± .010		TITLE LIGHT BULB NO. L1006MB-Series	
FRACTIONAL ±1/64		SIZE A	REV 4
DRAWN DENNIS CLARK	DATE 03/03/2011	FSCM NO.	DWG NO. L1006MB-Series
CHECKED	DESIGN	SCALE	SHEET 1 OF 1
MATERIAL	FILE L1006MB-Series.pdf	DRAWING NOT TO SCALE	