



PART NO.	BASE TYPE	DESIGN VOLTS	DESIGN AMPS	WATTS	AVERAGE LIFE HOURS
L10120MB Series (See Below)	Miniature Bayonet (BA9s)	120.0V AC/DC	2mA ±10%	0.24W	20,000

REVISIONS			
REV #	DESCRIPTION	DATE	APPROVED
1	ISSUED	02/24/2012	D.C.
2	ADDITION OF WHITE	06/05/2013	D.C.
3	ADDITION OF RED	07/10/2013	D.C.
4	ADDED WARM WHITE & AMBER/REV HRS	08/08/2018	R.M.
5	REVISED W, mA, INT, WAVELENGTH, K	08/06/2021	M.L.

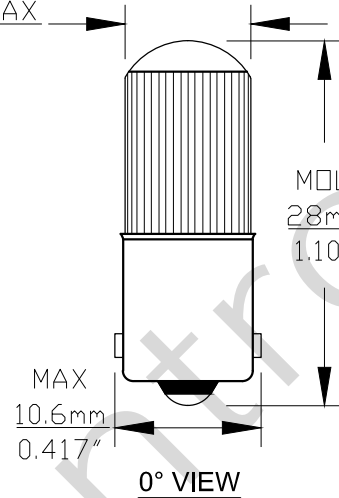
Electronics and Optical Characteristics: Ta=25°C

TEST CONDITION:

Power: 0.24W
Current: 2±10%mA

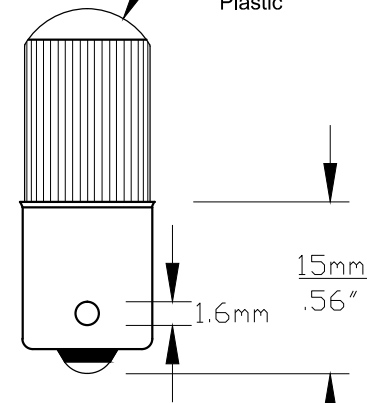
PARAMETER	MAX UNIT
Operating Temperature Range	-20°C to +50°C
Storage Temperature Range	-40°C to +100°C
Lead Solder Temperature 1.6mm Below Package 260°C for 5 Seconds	

DIA
9.2mm MAX
0.36"



0° VIEW

T-3 1/4
BULB SHAPE
Plastic



90° VIEW

MAX
10.6mm
0.417"

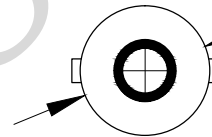
MOL
28mm
1.10"

15mm
.56"

1.6mm

PART NO.	EMITTING COLOR	LUMINOUS INTENSITY Unit: LM Error margin: ±5%	EFFICACY Unit: LM/W	DOMINANT WAVELENGTH Unit: nm
L10120MB-W	SUPER WHITE	2	8.33	x:0.305 Y:0.33
L10120MB-WW	WARM WHITE	2	8.33	x:0.43 Y:0.39
L10120MB-A	AMBER	0.8	3.33	591.7~595
L10120MB-B	ULTRA BLUE	0.5	2.08	475~470
L10120MB-G	ULTRA GREEN	1.2	5.0	528.7~520
L10120MB-R	SUPER RED	0.8	3.33	622.6~630

BDIA. MAX.
(9.25mm w/Base solder)
9.2mm
0.362"



BASE BOTTOM VIEW



PART NO.	COLOR TEMPERATURE Unit: K	SINGLE LED INTENSITY Unit: mcd (1m)	VIEWING ANGLE Unit: deg
L10120MB-W	6500	2100	89.0
L10120MB-WW	3000	1800	89.0
L10120MB-A	1608	750	111.7
L10120MB-B	>=100000	450	103.2
L10120MB-G	7698	1650	110.5
L10120MB-R	1001	900	90.3

UNLESS OTHERWISE SPECIFIED:
DIMENSIONS ARE IN INCHES
TOLERANCES
DECIMALS ANGULAR
.XX ± .05 ± 0.5°
.XXX ± .010
FRACTIONAL ±1/64

CEC INDUSTRIES LTD

599 BOND STREET

LINCOLNSHIRE, IL 60069

DRAWN DENNIS CLARK DATE 02/24/2012

TITLE LIGHT BULB NO. L10120MB-Series

CHECKED

SIZE A FSCM NO. DWG NO. L10120MB-Series REV 5

DESIGN

SCALE PLOT SCALE SHEET 1 OF 1

MATERIAL

FILE L10120MB-Series.pdf DRAWING NOT TO SCALE