

LUMILUX T8

18 W/827



Product benefits

- Up to 18 % higher luminous efficacy than conventional T8 BASIC lamps
- Good economy thanks to high efficiency

Product features

- Very good lumen maintenance: >90 % throughout the life of the lamp
- Good color rendering group: 1B (R_a : 80...89)
- Dimmable
- Top-quality three-band phosphor: LUMILUX
- Available in many different light colors (2,700...8,000 K) for every application and preference



Technical data

Electrical data

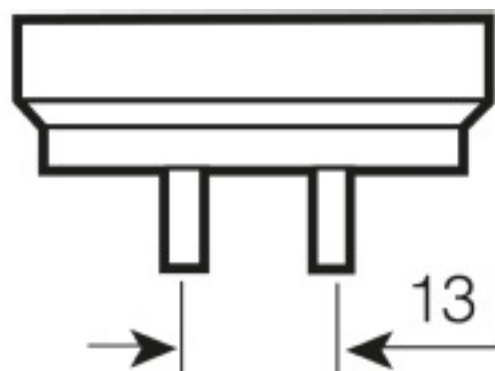
Nominal wattage	18 W
Rated lamp efficacy (HF data)	Under clarification by authority and standardization body
Rated lamp efficacy (standard condition)	75 lm/W
Rated wattage	18 W

Light technical data

Rated color rendering index Ra	>=80
Rated luminous flux	1350 lm
Luminous flux at 25 °C	1350 lm
Light color	827
Rated color temperature	2700 K
Nominal luminous flux	1350 lm
Light color as per EN 12464-1	LUMILUX INTERNA
Rated LLMF at 2,000 h	0.95
Rated LLMF at 4,000 h	0.92
Rated LLMF at 6,000 h	0.91
Rated LLMF at 8,000 h	0.90
Rated LLMF at 12,000 h	0.89

Dimensions & weight

Tube diameter	26 mm
Length	590.0 mm
Length with base excl. base pins/connection	590.00 mm
Diameter	26.0 mm



G13
IEC 7004-51
DIN 49653 T1

Product line drawing with letters

Base

Colors & materials

Rated lamp mercury content	2.5 mg
----------------------------	--------

Temperatures

Rated ambient temp.w.max.luminous flux	25.0 °C
--	---------

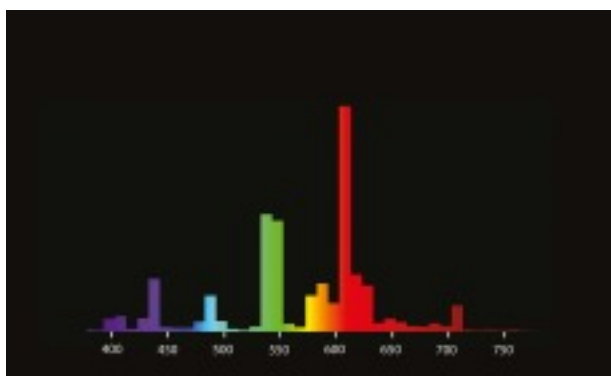
Lifespan

Service life	18000 h ¹⁾
Lifespan	20000 h ¹⁾
Rated lamp survival factor at 2,000 h	0.99
Rated lamp survival factor at 4,000 h	0.99
Rated lamp survival factor at 6,000 h	0.99
Rated lamp survival factor at 8,000 h	0.99
Rated lamp survival factor at 12,000 h	0.90
Operation mode LLMF/LSF	50 Hz

¹⁾ With preheat ECG

Additional product data

Base (standard designation)	G13
Appropriate disposal acc. to WEEE	Yes



Spectral power distribution

Capabilities

Suitable for indoor	Yes
---------------------	-----

Certificates & standards

EEI - Energy Label	A
--------------------	---

Lamp-ECG combination (System)

HF 1x18/230-240 DIM

Products

HF 1x18/230-240 DIM

HF 2x18/230-240 DIM

Products

HF 2x18/230-240 DIM

QT-ECO 1x18-24/220-240 L

Products

QT-ECO 1x18-24/220-240 L

QT-ECO 1x18-24/220-240 S

Products

QT-ECO 1x18-24/220-240 S

QT-FIT8 (3x18), 4x18

Products

QT-FIT8 3x18, 4x18

QT-FIT8 1x18

Products

QT-FIT8 1x18

QT-FIT8 2x18

Products

QT-FIT8 2x18

QT-FIT8 3x18, (4x18)

Products

QT-FIT8 3x18, 4x18

QTP-DL 1x18-24

Products

QTP-DL 1x18-24

QTP-DL 2x18-24

Products

QTP-DL 2x18-24

QTP-M 1x26-42

Products

QTP-M 1x26-42

QTP-M 2x26-32

Products

QTP-M 2x26-32

QTP8 3x18, 4x18

Products

QTP8 3x/4x18/230-240

QTP8 1x18

Products

QTP8 1x18/230-240

QTP8 2x18

Products

QTP8 2x18/230-240

QTP8 3x18, 4x18

Products

QTP8 3x/4x18/230-240

QTi 1x14/24/21/39 GII

Products

QTi 1x14/24/21/39 GII

QTi 1x18 DIM

Products

QTi 1x18 DIM

QTi 2x14/24/21/39 GII

Products

QTi 2x14/24/21/39 GII

QTi 2x18 DIM

Products

QTi 2x18 DIM

QTi 3x18 DIM

Products

QTi 3x18 DIM

QTi 4x18 DIM

Products

QTi 4x18 DIM

QTi DALI 1x18 DIM

Products

QTi DALI 1x18 DIM

QTi DALI 2x18 DIM

Products

QTi DALI 2x18 DIM

QTi DALI 3x18 DIM

Products

QTi DALI 3x18 DIM

QTi DALI 4x18 DIM

Products

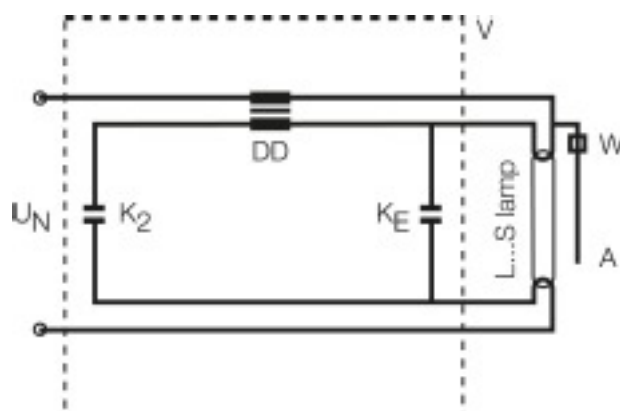
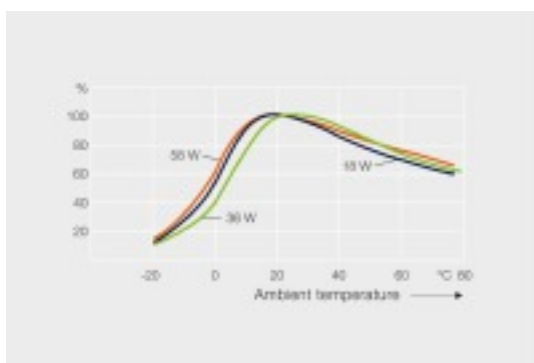
QTi DALI 4x18 DIM

System guarantee

OSRAM System+ Guarantee in combination with OSRAM ECGs

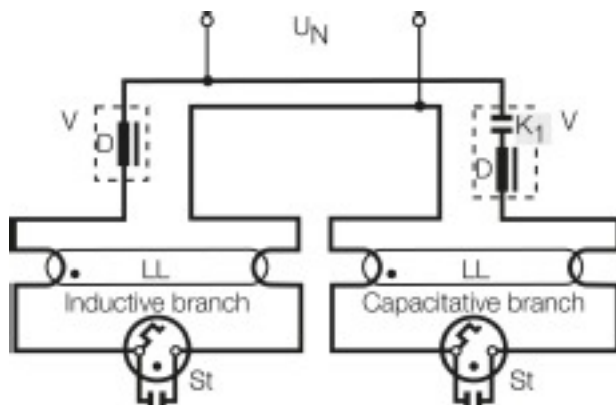
Safety advice

In case of lamp breakage: www.osram.com/brokenlamp



Others graphics

Circuit diagram



Circuit diagram

Logistical Data

Product code	Packaging unit (Pieces/Unit)	Dimensions (height x width x length)	Gross weight	Volume
4050300517834	Sleeves 1	27 mm x 27 mm x 605 mm	97.00 g	0.44 dm ³
4050300517841	Shipping carton box 25	145 mm x 245 mm x 534 mm	2625.00 g	18.97 dm ³

References / Links

For more information on the system guarantee and the terms and conditions of the guarantee visit

- ▶ www.osram.com/system-guarantee

For more information on QUICKTRONIC electronic control gear go to

- ▶ www.osram.com/QUICKTRONIC

Disclaimer

Subject to change without notice. Errors and omission excepted. Always make sure to use the most recent release.