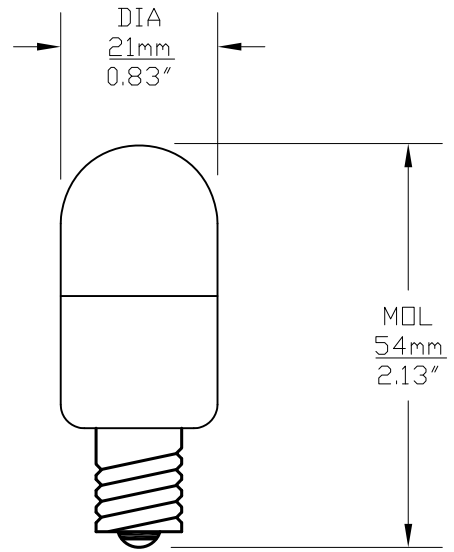


PART NO.	BASE TYPE	VOLTS	AMPS	WATTS	AVERAGE LIFE HOURS
SEE BELOW	CANDELABRA SCREW E12	12VAC/DC	15mA	0.18	20,000

\* OPERATIONAL VOLTS 10.8-13.2 VAC/DC  
BI-POLAR

RoHS COMPLIANT



REVISIONS			
REV	DESCRIPTION	DATE	APPROVED
1	ISSUED	10/17/2012	D.C.

COLOR	PART NUMBER	LUMEN
WHITE	L2012CS-W	15

UNLESS OTHERWISE SPECIFIED: DIMENSIONS ARE IN INCHES TOLERANCES		CEC INDUSTRIES LTD	
DECIMALS .XX ± .05	ANGULAR ± 0.5°	599 BOND STREET	LINCOLNSHIRE IL 60069
XXX ± .010	FRACTIONAL ± 1/64	TITLE L2012CS-W T6 (T20mm) LED MINIATURE LAMP	
DRAWN D. C.	DATE 10/17/2012	SIZE A	FSCM NO. DWG NO. L2012CS-W REV 1
CHECKED		SCALE	PLOT SCALE SHEET 1 OF 1
DESIGN		MATERIAL	FILE LM2012CS-W.dwg DO NOT SCALE DRAWING