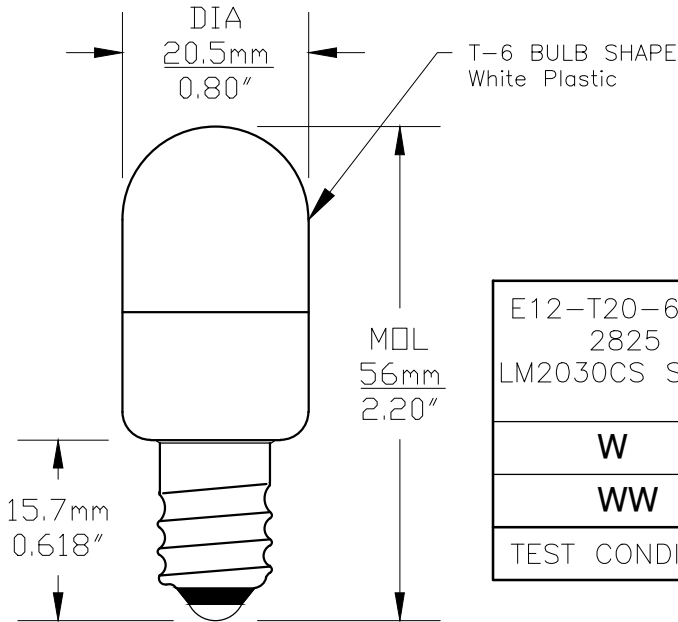


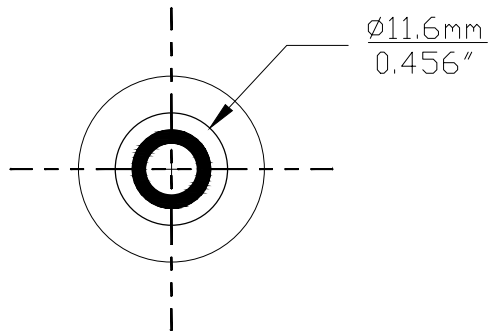


Since 1959

PART NO.	BASE TYPE	DESIGN VOLTS	DESIGN AMPS	WATTS	AVERAGE LIFE HOURS	REVISIONS			
						REV #	DESCRIPTION	DATE	APPROVED
LM2030CS series	CANDELABRA SCREW (E12)	30V AC/DC	14mA	2.03W	10,000	1	ISSUED	04/10/2014	D.C.
						2	REVISED TO REVISE LIFE HRS, ADD SPEC.	02/07/2020	R.M.



0° VIEW



BASE BOTTOM VIEW

E12-T20-65MD 2825 LM2030CS Series	EMITTING COLOR	TOTALITY LUMINOUS INTENSITY Unit: LM Error Margin: ±5%	DOMINANT WAVELENGTH Unit: nm	COLOR TEMPERATURE
W	SUPER WHITE	30V	X:0.28 Y:0.29	8,000
WW	WARM WHITE	30V	X:0.34 Y:0.36	3,300
TEST CONDITION	POWER: 2.03W CURRENT: 14mA±10%			



Note: Made according to SAE specifications

UNLESS OTHERWISE SPECIFIED: DIMENSIONS ARE IN INCHES TOLERANCES		CEC INDUSTRIES LTD			
DECIMALS .XX ± .05		FSCM NO.		599 BOND STREET	
ANGULAR .XXX ± .010		DWG NO.		L2030CS series	
FRACTIONAL ±1/64		REV		2	
DRAWN D.C.	DATE 04/10/2014	TITLE E12-T20-6SMD 2835			
CHECKED	SIZE A	PLOT SCALE		SHEET 1 OF 1	
DESIGN	MATERIAL	FILE L2030CS.pdf		DRAWING NOT TO SCALE	