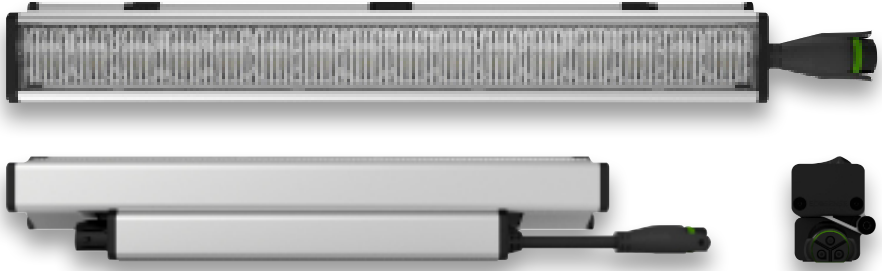


DATE	PROJECT	FIRM	TYPE
------	---------	------	------

THE L50 INCLUDES PATENTED OPTICAL DESIGN THAT DELIVERS THE WIDEST RANGE OF BEAM ANGLE OPTIONS FOR PRECISE COVE, WALL GRAZING, WALL WASHING OR LINE OF LIGHT APPLICATIONS. EXCLUSIVE FLIP TO FLAT™ HINGE DESIGN PROVIDES FLEXIBILITY WHEN MANAGING SMALL COVE DETAILS. TROV OFFERS SMOOTH, FLICKER FREE DIMMING DOWN TO 0%.



**FEATURES :**

- DIM TO 0%, ELV REVERSE PHASE
- 24 BEAM ANGLES
- MULTI-VOLT
- FLIP TO FLAT™
- 6 CCT OPTIONS
- 80+ AND 90+ CRI OPTIONS
- IP54 INTERIOR AND IP66 EXTERIOR OPTIONS

MODEL/ SIZE	INTERIOR/ EXTERIOR	LENGTH	POWER	CCT	CRI	VOLTAGE	OPTICS	
L50	I E	12"	02	<b>WHITE CCT</b>	<b>MONO COLOR</b>	80	MULT (120-277V)	<b>GRAZING</b> 9 x 9 9 x 17 9 x 29 9 x 59 15 x 15 15 x 23 15 x 35 15 x 65  <b>COVE</b> 120** Asym  <b>LINE OF LIGHT</b> LOL
		48"	04 06 08 10 12					

<b>BUILD TO ORDER SHIPPING</b>	22 50	BL AM	GR**** RD***	Blank For Color
--------------------------------	----------	----------	-----------------	-----------------

**EXAMPLE:** L50-I-48-10-27-90-MULT-15x65 \*90 CRI not available in 2200K or 5000K \*\*120 CRI is only available with Exterior option. See L35 spec sheet for interior cove options. \*\*\*Red is not available in 12W or 10W. \*\*\*\*Green is not available in 12W.

PERFORMANCE	WATTS	OPTIC	LUMEN OUTPUT	EFFICACY
	2W	ASYM	125 lm/LF ( 409 lm/m )	62 lm/W
	4W	ASYM	307 lm/LF ( 1006 lm/m )	77 lm/W
	6W	ASYM	489 lm/LF ( 1603 lm/m )	81 lm/W
	8W	ASYM	681 lm/LF ( 2232 lm/m )	85 lm/W
	10W	ASYM	824 lm/LF ( 2704 lm/m )	82 lm/W
	12W	ASYM	958 lm/LF ( 3144 lm/m )	80 lm/W

ALL LUMEN DATA IS FROM 4000K 80CRI FIXTURES. PLEASE SEE PHOTOMETRY SPEC SHEET FOR ADDITIONAL LUMEN DATA.

<b>COLOR RENDERING INDEX</b>	80+, 90+			
<b>COLOR CONSISTENCY</b>	2-STEP MACADAM ELLIPSE			
<b>LUMEN DEPRECIATION / RATED LIFE</b>	WATTS	L70 @ 25C	L70 @ 50C	L90 @ 25C   L90 @ 50C
	2W-12W	>150,000	>70,000	>50,000   >25,000

\* CALCULATIONS FOR LED FIXTURES ARE BASED ON MEASUREMENTS THAT COMPLY WITH IES LM-80 TESTING PROCEDURES AND IES TM-21 CALCULATOR

<b>ELECTRICAL</b>	<b>POWER CONSUMPTION</b>	2W*/LF (6.6W/M); 4W/LF (13.2W/M); 6W/LF (19.8W/M); 8W/LF (26.4W/M); 10W/LF (33W/M); 12W/LF (39.6W/M) * 3W/LF (9.9W/M) at 220V-277V
-------------------	--------------------------	---

	2W/LF		4W/LF		6W/LF		8W/LF		10W/LF		12W/LF		
	Volts	Max Run all 1'	Max Run all 4'	Max Run all 1'	Max Run all 4'	Max Run all 1'	Max Run all 4'	Max Run all 1'	Max Run all 4'	Max Run all 1'	Max Run all 4'	Max Run all 1'	Max Run all 4'
	120	214	214	186	186	152	152	114	114	91	91	76	76
	220	374	392	340	340	277	277	209	209	95	167	95	139
	277	374	494	374	428	349	349	263	263	95	190	95	175

DATE	PROJECT	FIRM	TYPE
	<b>POWER FACTOR</b> <b>OPERATING VOLTAGE</b> <b>DRIVER</b> <b>STARTUP TEMPERATURE</b> <b>OPERATING TEMPERATURE</b> <b>STORAGE TEMPERATURE</b>	4W, 6W, 8W, 10W, 12W >0.9, 2W<0.9 MULTIVOLT: 110-277VAC, 50/60 Hz INTEGRAL TO FIXTURE; DE-RATED POWER AND SYNCHRONOUS START-UP AT FULL BRIGHTNESS -40°F TO 122°F (-40°C TO 50°C) -40°F TO 122°F (-40°C TO 50°C) -40°F TO 176°F (-40°C TO 80°C)	
<b>CONTROL</b>	<b>DIMMING</b>	110-277VAC, ELV TYPE 0.07%-100%, REVERSE PHASE, TRAILING EDGE ETC control systems require 0-10V control using EcoSense LDCM. TROV will not work with ETC phase dimmers.	
<b>PHYSICAL</b>	<b>DIMENSIONS</b> <b>HOUSING /LENS</b>  <b>WEIGHT</b> <b>CONNECTORS</b> <b>ENVIRONMENT</b>  <b>BEAM ANGLE</b> <b>MOUNTING OPTIONS</b>	W 1.6" x H 2" x L 12"/48" ; (41.6mm x 50.5mm x 304.7mm/1201mm) EXTRUDED ALUMINUM; UV STABILIZED POLYCARBONATE; STAINLESS STEEL FASTENERS; PLASTIC ENDCAPS RUBBER OVERMOLD FOR CABLE ASSEMBLY 1.52LBS / 0.69KG (1FT) ; 4.95LBS / 2.25KG (4FT) INTEGRAL MALE/FEMALE CONNECTORS INDOOR • ETL CERTIFIED FOR DRY/DAMP LOCATIONS IP54 OUTDOOR • ETL CERTIFIED FOR WET LOCATIONS IP66 IMPACT RATED TO IK10 Not intended to be used in water features such as waterfalls, fountains, etc. GRAZING, WASHING, COVE, ASYMMETRIC, LINE OF LIGHT INTEGRAL MOUNTING AND ADJUSTABLE AIMING FROM 0°-180° IN 15° INCREMENTS	

**FIXTURE RATING & CERTIFICATIONS**

ETL CERTIFIED  
 RoHS COMPLIANT  
 RCM CERTIFIED



Title 24  
 JA8-2016  
 \*90 CRI models only

LIMITED WARRANTY 5 YEARS

**WIRING OPTIONS (MVOLT): 110-277VAC**

Power Cable Assembly, TROV, Leader/Jumper, 10 foot.....	CBL-3P-L-UNV-10*
Power Cable Assembly, TROV, Leader/Jumper, 50 foot.....	CBL-3P-L-UNV-50*
Power Cable Assembly, TROV, Jumper, 5 foot.....	CBL-3P-L-UNV-05**
Power Cable Assembly, TROV, Jumper, 1 foot .....	CBL-3P-L-UNV-01**
Power Cable Assembly, TROV, Adjustable Jumper, 0" to 7" .....	CBL-3P-L-UNV-ADJ
Power Cable Assembly, TROV, Male and Female terminator caps.....	CBL-3P-L-UNV-CAPS

\*Two (2) terminators are included with the 10' and 50' power cable. One Leader need per circuit/fixture run. Cables are not plenum rated.  
 \*\* If using the 5' or 1' power cable assembly as a leader to power, a run one set of CBL-3P-L-UNV-CAPS will also be needed per cable.

**0-10V CONTROL OPTIONS**

100-120VAC / 277VAC Linear Dimming Control Module 0-10V - Plenum Rated ..... LDCM-PL-120-277-010V-GR

All products come standard with ELV dimming capabilities. 0-10V Control options required for operation at 0-10V.

**OPTIONAL ACCESSORIES**

**Mounting**

Mounting Track and Clips Set, 48 Inch Track, 8 Clips..... MNT-L-TRKCLIP-48 .....48" track and clips set will work with one 48" fixture or four 12" fixtures.  
 (FOR INTERIOR USE ONLY)

Mounting Track and Clips Set, 12 Inch Track, 2 Clips..... MNT-L-TRKCLIP-12 .....12" track will not work with 48" fixtures. (FOR INTERIOR USE ONLY)

Mounting Track Clip, TROV, Set of 2..... MNT-L-CLIP .....Clips needed = 12" fixtures need 1 set of 2 and 48" fixture needs 2 sets of 2.

90 Degree L bracket, TROV, Set of 2.....MNT-L-LBKT .....L-Brackets needed = 12" fixtures need 1 set of 2 and 48" fixture needs 1 set of 2.

Angle Locking Clip, TROV, Pack of 10..... MNT-L-ANGLOCK .....Angle Locks needed = 12" fixtures need 1 and 48" fixtures need 2.  
 (Must order separately)

Mounting, Fine Adjustment Bracket, TROV ..... MNT-L-FAB .....Fine Adjustment Brackets needed = 12" fixtures need 1 and 48" fixtures need 2.

\*Fine Adjustment Bracket is highly recommended for Grazing Optics.

Mounting, Fine Adjustment L-Bracket, TROV .....MNT-L-LFAB .....Fine Adjustment L-Brackets needed = 12" fixtures need 1 and 48" fixtures need 2.

\*Fine Adjustment L-Bracket is recommended for Asymetric Optics when aiming is needed.

**Wall Mount Arm**

Wall Mount Arm, 6 inch, TROV .....	WMA-L-CA-06
Wall Mount Arm, 12 inch, TROV .....	WMA-L-CA-12
Wall Mount Arm, 18 inch, TROV.....	WMA-L-CA-18
Wall Mount Arm, 24 inch, TROV.....	WMA-L-CA-24
Wall Mount Arm End Plate Set, TROV, Includes Left and Right.....	WMA-L-END
Wall Mount Arm Joiner Plate, TROV .....	WMA-L-JNR

Wall Mount Arms needed = For individual fixture installations two arms and one end set will be needed per fixture. For continuous run installation one end set will be needed per run. Each end set contains one left and one right end plate. One joining set will be needed per joint. One arm per fixture will be needed plus one extra arm to complete the run. For example: A 10ft run made with two 4ft and two 1ft fixtures will contain; 1 x WMA-L-END, 3 x WMA-L-JNR, and 5 x WMA-L-CA-12. Leader cables are not included with wall mount arms, end sets, or joiners sets.

**Masking Plates**

Masking Plate, 3 inch high, 12 inch, L50 & L35 .....	MP-L50-3H-12
Masking Plate, 3 inch high, 48 inch, L50 & L35 .....	MP-L50-3H-48

Masking Plates needed = One 12" plate is needed per 12" fixture and one 48" plate is needed per 48" fixture.

DATE	PROJECT	FIRM	TYPE
------	---------	------	------

**Landscape Stake**

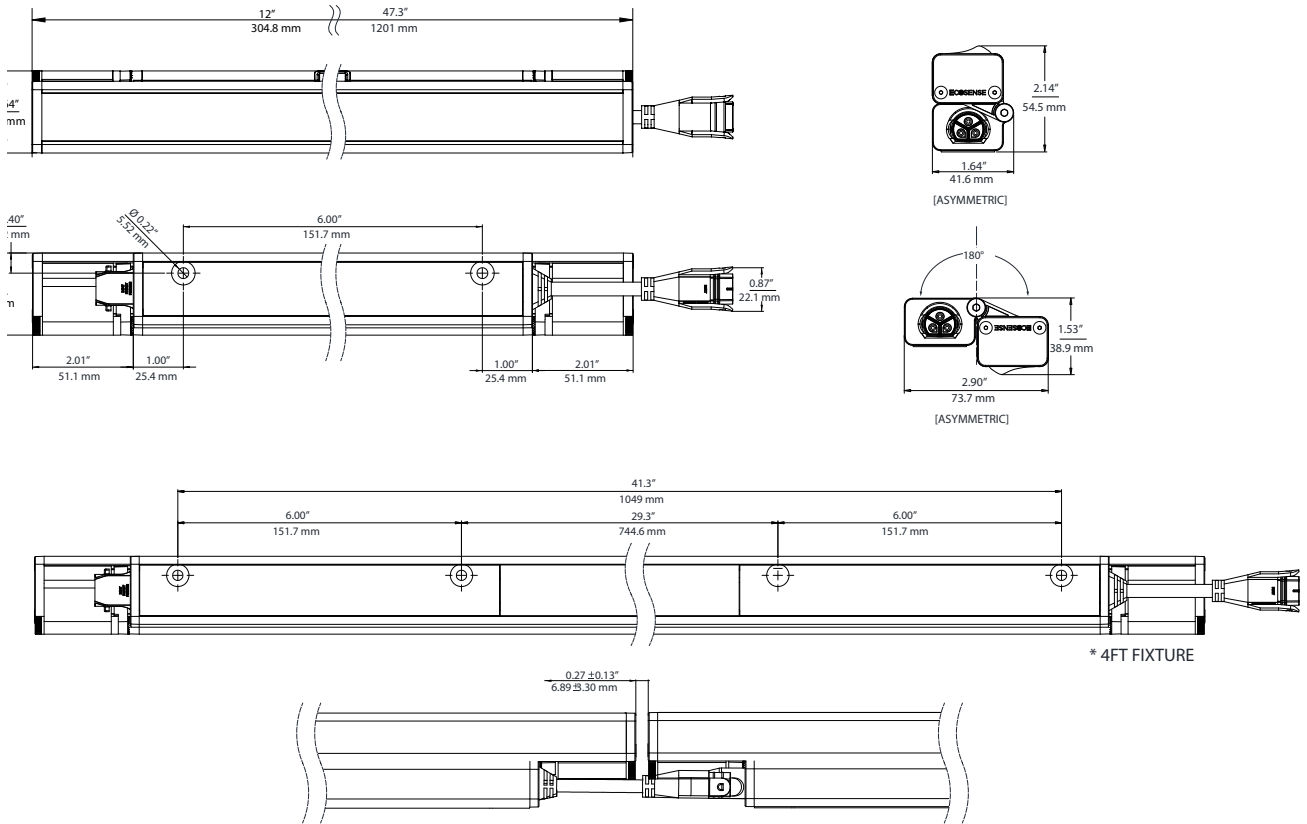
- Landscape Stake, 6 inch, TROV, Set of 2 ..... LS-L-STK-06
- Landscape Stake, 12 inch, TROV, Set of 2 ..... LS-L-STK-12
- Landscape Stake, 18 inch, TROV, Set of 2 ..... LS-L-STK-18

Landscape Stakes needed = 12" and 48" fixtures both need one set of 2.

**Wire Box**

Conduit Connection, Wire Box, TROV, Interior Only, L50 .....CC-L-WIREBOX

Wire box can be used instead of a leader cable to start a run. 1/2" conduit fitting can attach directly to the box on one end and the fixture to the other.



**Fine Adjustable L-Bracket:**

