



# HID LED HID Replacement Lamp - Corn Cob

## HIGHLIGHTS

- Plug-and-play external photocell or motion sensor available for additional lighting control; qualifies for DLC 5.1
- FieldCCeT (CCT Selectable) and PowerSet (Power Selectable): allows for multiple “set and forget” color options
- Integral driver; eliminates the need for external driver or ballast
- Universal mounting position for 18-63W models
- Vertical mounting position for 80W models and above
- Shatter-resistant for reduced risk of injury or breakage
- Built-in 4kV surge protection
- Lasts 3x longer than Metal Halide or HPS HID lamps
- Environmentally friendly: contains no glass or mercury

## CERTIFICATIONS

- cULus Listed for dry and damp locations
- DesignLights Consortium® Qualified - meets DLC requirements for efficacy and lumen maintenance
- RoHS Compliant
- IP64 Rating
- FCC

## PERFORMANCE

- Efficacy (lm/W): Up to 151 Lumen per watt
- FieldCCeT: 3000K / 4000K / 5000K CCT
- PowerSet: up to 54/45/36W (E26 base), 120/100/80W (EX39 base), 100-277V models only
- CRI >80
- Rated lifetime: L70: >50,000 hours

## ELECTRICAL

- Surge Protection: 4kV
- Input voltage: 120-277V, 277-480V
- Power Factor: >0.9
- THD: <20%
- Plug-in sensors

## THERMAL

- -22°F to 140°F (-30°C to 60°C) operating temperature

## CONSTRUCTION

- Aluminum heatsink
- Impact-resistant polycarbonate lens
- Safety cable provided for 80W, 100W and 120W models

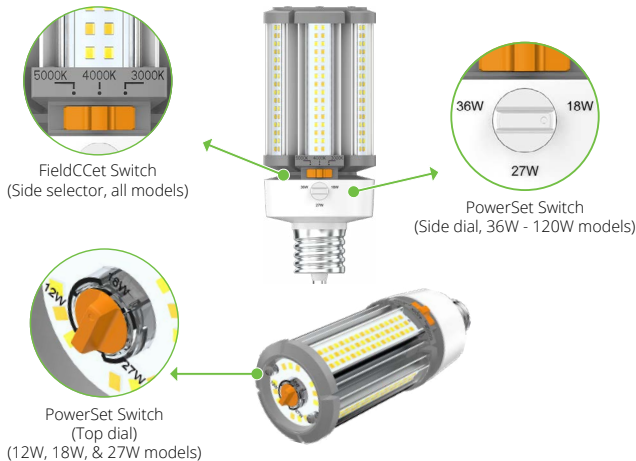
## WARRANTY

- 5 Year limited warranty available [online](#). Contact your EIKO sales rep for additional details.

project name	type
catalog number	voltage
approved by	date



## KEY FEATURES



## PERFORMANCE SUMMARY

ORDER CODE	ITEM #	WATTS*	LUMENS	SELECTABLE CCT*	EFFICACY (lm/W)	VOLTAGE	TRADITIONAL HID WATTAGE EQUIVALENT**	INSTALL POSITION	SENSOR READY	DLC ID #
<b>E26</b>										
12706	LPS18CC/8FCCT/U/E26	18/12/9W	2610/1740/1305 lm	30/40/5000K	128-144 lm/W	100-277V	50W MH or 50W HPS	Universal	N/A	N/A
12707	LPS27CC/8FCCT/U/E26	27/18/12W	3915/2610/1740 lm	30/40/5000K	130-144 lm/W	100-277V	70W MH or 70W HPS	Universal	N/A	N/A
12708	LPS36CC/8FCCT/U/E26	36/27/18W	5220/3915/2610 lm	30/40/5000K	127-143 lm/W	100-277V	100W MH or 70W HPS	Universal	✓	N/A
12709	LPS45CC/8FCCT/U/E26	45/36/27W	6525/5220/3915 lm	30/40/5000K	125-136 lm/W	100-277V	100W MH or 100W HPS	Universal	✓	N/A
12710	LPS54CC/8FCCT/U/E26	54/45/36W	7830/6525/5220 lm	30/40/5000K	131-148 lm/W	100-277V	150W MH or 100W HPS	Universal	✓	N/A
<b>EX39</b>										
12711	LPS18CC/8FCCT/U/EX39	18/12/9W	2610/1740/1305 lm	30/40/5000K	128-144 lm/W	100-277V	50W MH or 50W HPS	Universal	N/A	S-BK1VPS
12712	LPS27CC/8FCCT/U/EX39	27/18/12W	3915/2610/1740 lm	30/40/5000K	130-144 lm/W	100-277V	70W MH or 70W HPS	Universal	N/A	S-Y9KFOM
12713	LPS36CC/8FCCT/U/EX39	36/27/18W	5220/3915/2610 lm	30/40/5000K	127-143 lm/W	100-277V	100W MH or 70W HPS	Universal	✓	S-9N2JD7
12714	LPS45CC/8FCCT/U/EX39	45/36/27W	6525/5220/3915 lm	30/40/5000K	125-136 lm/W	100-277V	100W MH or 100W HPS	Universal	✓	S-7CMIPE
12715	LPS54CC/8FCCT/U/EX39	54/45/36W	7830/6525/5220 lm	30/40/5000K	131-148 lm/W	100-277V	150W MH or 100W HPS	Universal	✓	S-FUJBHG
12716	LPS63CC/8FCCT/U/EX39	63/54/45W	9135/7830/6525 lm	30/40/5000K	134-151 lm/W	100-277V	175W MH or 150W HPS	Universal	✓	S-NC0IPS
12717	LPS80CC/8FCCT/U/EX39	80/63/54W	11600/9135/7830 lm	30/40/5000K	123-136 lm/W	100-277V	200W MH or 150W HPS	Vertical	✓	S-KNQ4IL
12718	LPS100CC/8FCCT/U/EX39	100/80/63W	14500/11600/9135 lm	30/40/5000K	131-143 lm/W	100-277V	250W MH or 200W HPS	Vertical	✓	S-79SXLH
12719	LPS120CC/8FCCT/U/EX39	120/100/80W	17400/14500/11600 lm	30/40/5000K	123-140 lm/W	100-277V	320W MH or 250W HPS	Vertical	✓	S-N9EB3F
<b>E26 HIGH VOLTAGE</b>										
12720	L36WCC/8FCCT/V/E26	36W	5040 lm	30/40/5000K	140 lm/W	277-480V	100W MH or 70W HPS	Universal	✓	N/A
12721	L45WCC/8FCCT/V/E26	45W	6300 lm	30/40/5000K	140 lm/W	277-480V	100W MH or 100W HPS	Universal	✓	N/A
12722	L54WCC/8FCCT/V/E26	54W	7560 lm	30/40/5000K	140 lm/W	277-480V	150W MH or 100W HPS	Universal	✓	N/A
<b>EX39 HIGH VOLTAGE</b>										
12723	L36WCC/8FCCT/V/EX39	36W	5040 lm	30/40/5000K	140 lm/W	277-480V	100W MH or 70W HPS	Universal	✓	S-IET84J
12724	L45WCC/8FCCT/V/EX39	45W	6300 lm	30/40/5000K	140 lm/W	277-480V	100W MH or 100W HPS	Universal	✓	S-DN8Y7L
12725	L54WCC/8FCCT/V/EX39	54W	7560 lm	30/40/5000K	140 lm/W	277-480V	150W MH or 100W HPS	Universal	✓	S-SY9HN8
12726	L80WCC/8FCCT/V/EX39	80W	11200 lm	30/40/5000K	140 lm/W	277-480V	200W MH or 150W HPS	Vertical	✓	S-L673UQ
12727	L100WCC/8FCCT/V/EX39	100W	14000 lm	30/40/5000K	140 lm/W	277-480V	250W MH or 200W HPS	Vertical	✓	S-IJAEBF

\*All lamps ship at the highest wattage setting and at 5000K CCT

\*\*Wattage Equivalency published in accordance with NEMA LL 10-2020 Replacing HID Lamps with LED Lamps: Light Output Equivalency Claims. Eiko uses this Standard for LED products replacing HID lamps, meeting, or exceeding the minimum LED light output for equivalency claims. The LED wattage equivalency varies based on the type of HID lamp being replaced - Metal Halide (MH) or High-Pressure Sodium (HPS)

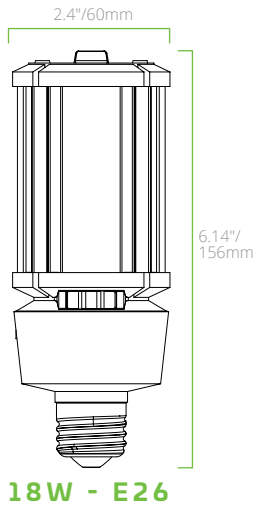
## PLUG-IN SENSORS

ORDER CODE	ITEM #	DESCRIPTION
10910	PT-SEN/PIR	LED HID Replacement Lamp Sensor PIR 3.5mm Plug w/PC
10911	PT-SEN/PC	LED HID Replacement Lamp Photocell 3.5mm Plug

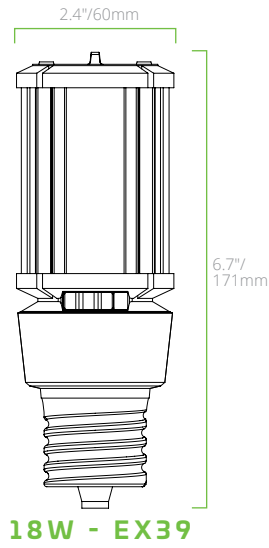
**NOTE:** Sensor-ready for 36-120W models only



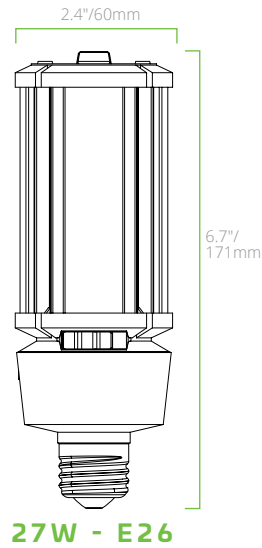
# PRODUCT DIMENSIONS



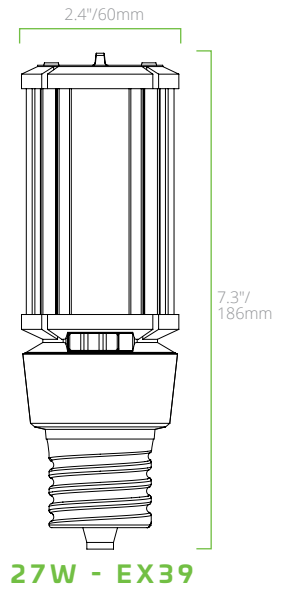
**18W - E26**



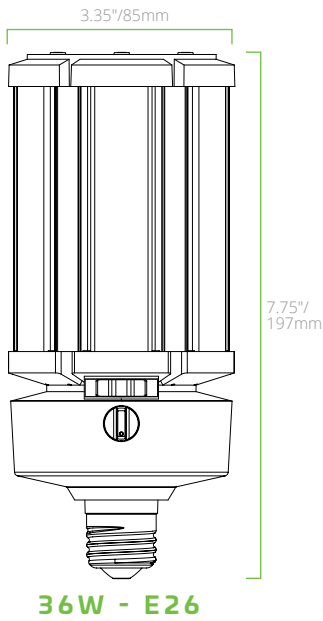
**18W - EX39**



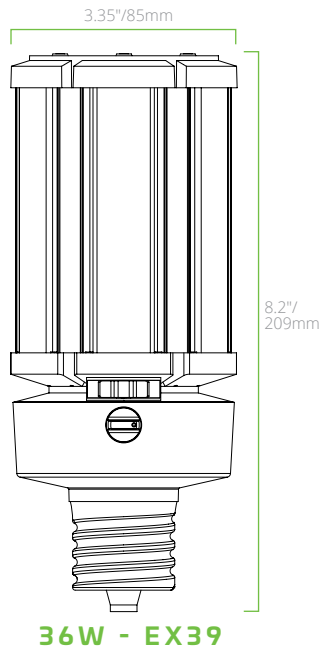
**27W - E26**



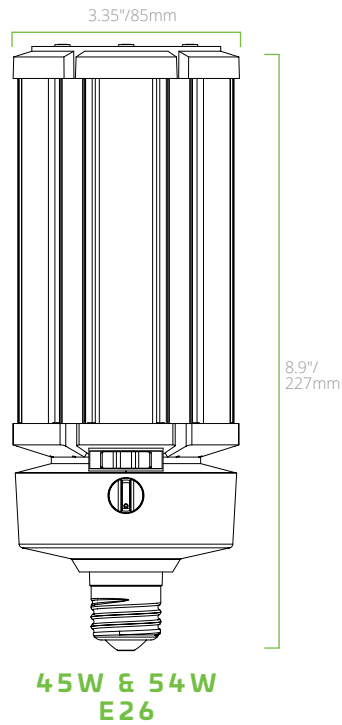
**27W - EX39**



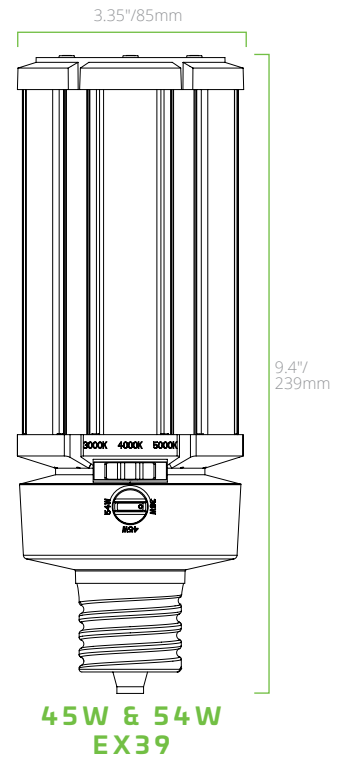
**36W - E26**



**36W - EX39**

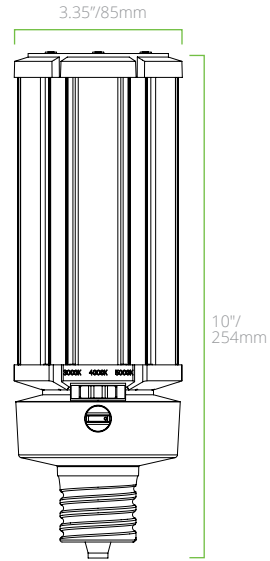


**45W & 54W  
E26**

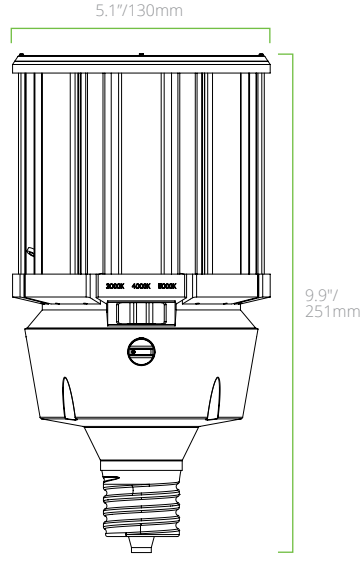


**45W & 54W  
EX39**

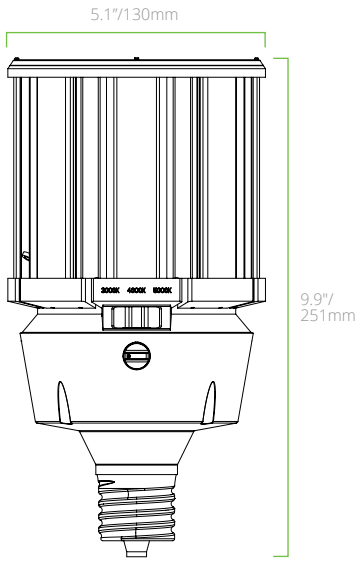
# PRODUCT DIMENSIONS



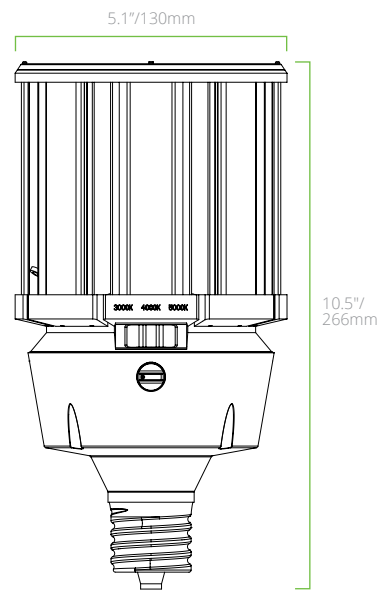
**63W - EX39**



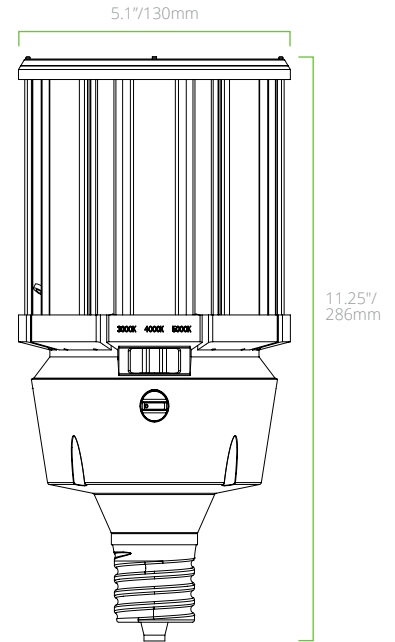
**80W - EX39**



**80W - EX39**

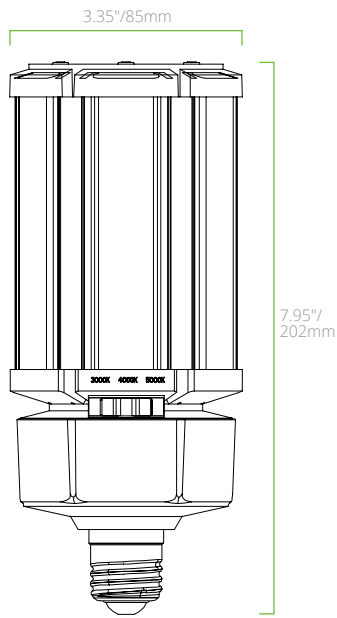


**100W - EX39**

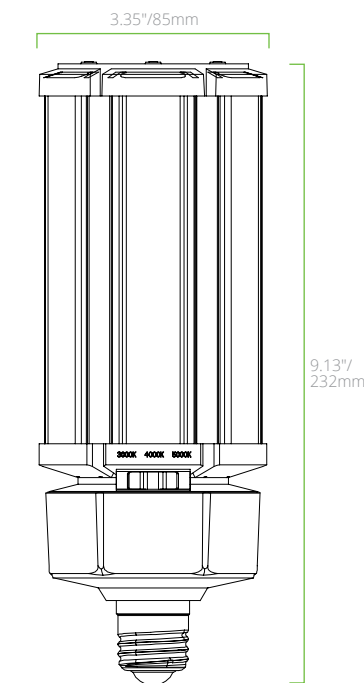


**120W - EX39**

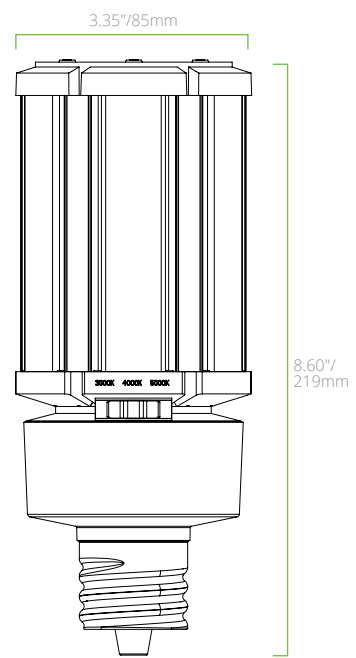
# PRODUCT DIMENSIONS



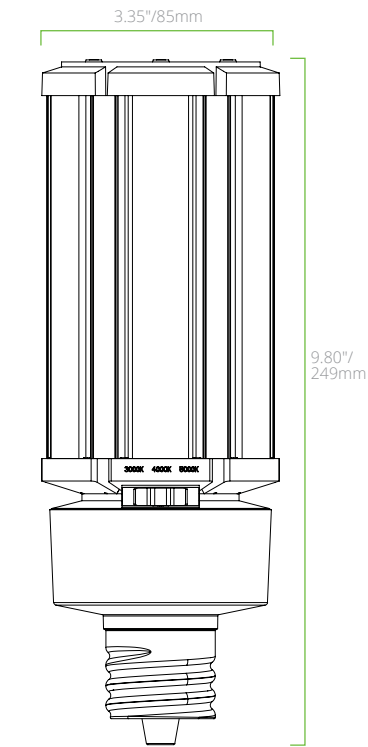
**36W - E26  
HIGH VOLTAGE**



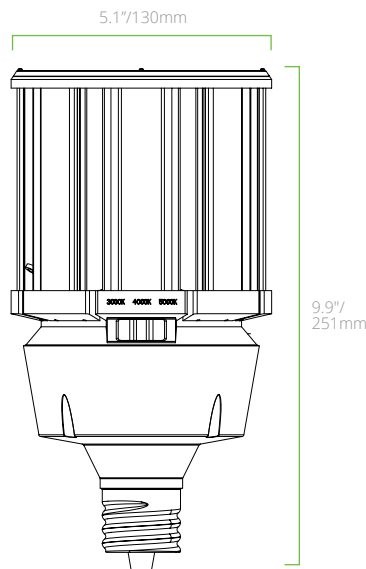
**45W & 54W - E26  
HIGH VOLTAGE**



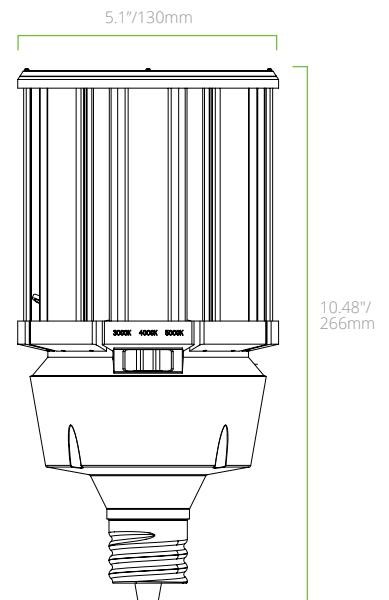
**36W - EX39  
HIGH VOLTAGE**



**45W & 54W - EX39  
HIGH VOLTAGE**



**80W - EX39  
HIGH VOLTAGE**



**100W - EX39  
HIGH VOLTAGE**