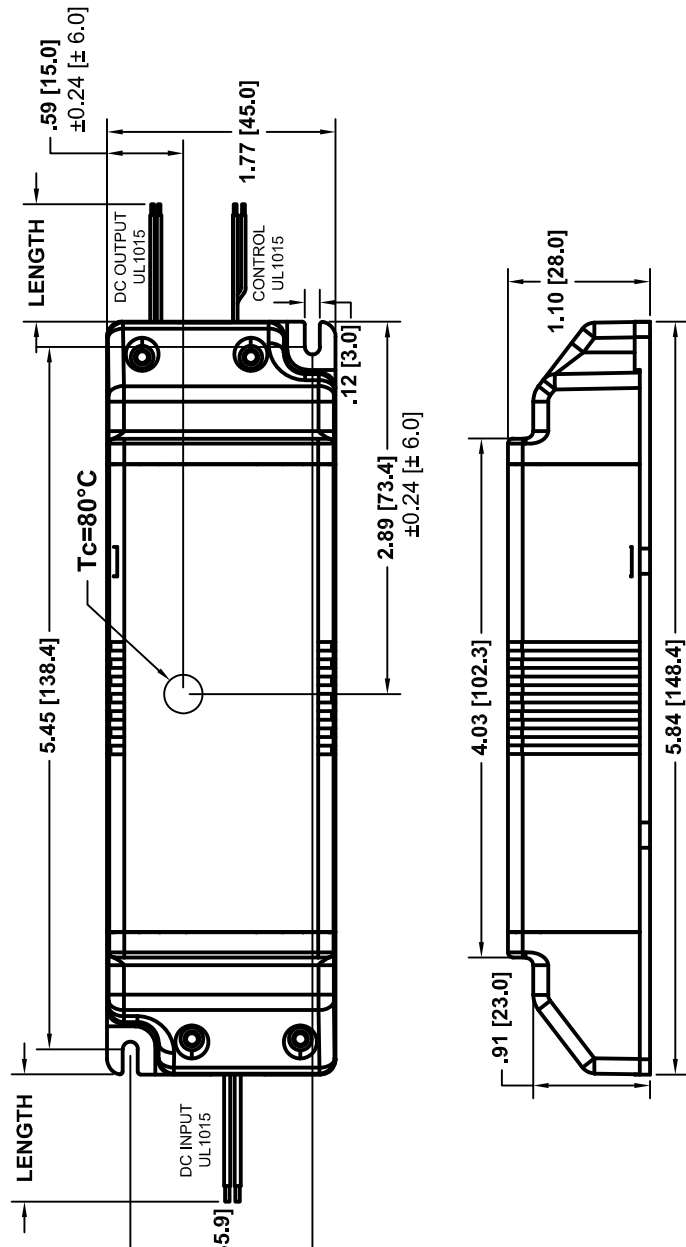


REV	DESCRIPTION	DATE
A1	ADD JUMPER BETWEEN +10V OUTPUT AND DIM+	02/10/2022
A0	RELEASE TO PRODUCTION	02/06/2014

**Specifications:**

- Input range: 21~27Vdc, 4A
- Note: Input polarity protection
- Output: 700mA, 44~84V (Vf) Other than Class 2
- Efficiency: 93% typical
- Protection: OPP, SCP - Auto-recovery
- Operation Temp: -30C~+55C
- MTBF (@25C): >100,000Hours, MIL-217F
- EMC meet: FCC Class B
- Load Regulation: +/-1%
- 1~10Vdc Dimming
- Location: Dry and damp use only
- Housing: Polycarbonate - Rated UL94 V-2, 105°C.
- UL approved: File E357847
- CE approved:
  - LVD 14KWE05208D
  - EMC 14KWE041283E
  - FCC 14KWE041284F
- 5 yrs warr provided to point remains below 80°C
- Bar code defined by drawing 77-0120.
- Add a internal jumper between +10V output and DIM+



CON	PIN	COLOR	OUTPUT	AWG	LENGTH
DC	---	RED	+V	18	
IN	---	BLACK	-V	18	9.0 [229]
DC	---	Red/White Stripe	LED+	18	±0.5 [±13]
OUT	---	Black/White stripe	LED-	18	
DIM	---	PURPLE	DIM+	20	6.5 [165]
CNTL	---	GRAY	DIM-	20	±0.5 [±13]

**Magtech Industries Corp**  
 www.magtechind.com  
 LED Driver, Non-Isolated  
 RoHS  
 MODEL: LD1060-88-C0700  
 DC INPUT: 21-27V, 4A max  
 DC OUTPUT: 700mA / 44~84V  
**Dimmable** MAX. 60WATTS  
 DC INPUT + (Red) - (Black)  
 LED+ (R/w) LED- (B/w)  
 DIM+ (purple) DIM- (gray)  
 P/N: 11-1219 REV: A  
 S/N: rmmymmxxxxx  
 Made in China

MANUFACTURED BY: ES ACUITY

THIS ITEM IS THE PROPERTY OF MAGTECH INDUSTRIES AND CONTAINS PROPRIETARY CONFIDENTIAL AND TRADE SECRET INFORMATION. THE INFORMATION CONTAINED HEREIN IS NOT TO BE USED, REPRODUCED OR TRANSMITTED IN ANY FORM WITHOUT PRIOR WRITTEN CONSENT FROM MAGTECH.

DESCRIPTION	DATE
ADD JUMPER BETWEEN +10V OUTPUT AND DIM+	02/10/2022
RELEASE TO PRODUCTION	02/06/2014

APPROVAL DATE: 06/09/2014  
 EFFECTIVE DATE: 02/06/2014  
 MODEL NO. LD1060-88-C0700  
 DWG NO. M11-1219  
 REV. A1  
 1 OF 1  
 FORM FP-004