



LED CFL-Replacement Omnidirectional Lamps

6, 9 or 11 Watts – 85~277VAC – 4000K White – 2 Pin G24D or 4 Pin G24Q Universal Base



FEATURES

- 3 Year LEDtronics Warranty
- Direct Retrofit into Fixtures with G24D/G24Q Base
- Energy Savings of up to 50% over CFLs
- Lumen Maintenance over 70% @ 50,000+ Hours
- High CRI, High Lumen
- No UV/IR Radiation, No Toxic Mercury, RoHS Compliant
- Even Lighting, No Buzzing, No Flickering
- LM-80 Reports Available

APPLICATIONS

- Ceiling Installations for General Ambient Lighting in Offices & Public Facilities
- Retail Store Lighting
- Museums, Galleries, Showrooms
- Hotels, Hospitality Areas
- Hospitals, Clinics, Workrooms
- Corridors, Lobbies, Stairways

Over 30 Years of LEDtronics Design, Engineering & Manufacturing Experience

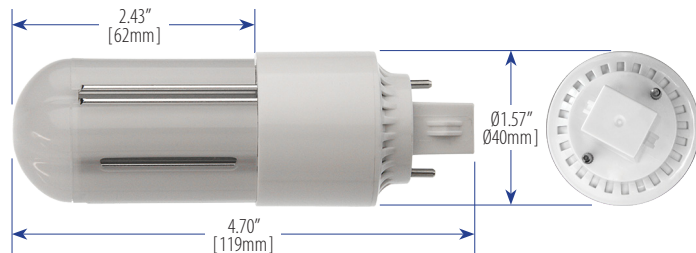
2-Pin G24D
Universal Base



6 Watts,
Replaces CFLs up to 13W in
Omnidirectional Applications

LDLG24DU-8WF-XWW-101A

Input Power	6 Watts
Input Voltage	85~277VAC (Tested @ 120VAC)
Input Current	0.050A
Total Lumens	560 lm
Efficacy	95 lm/W
Max. Candela	65 cd
Power Factor	1.0
Emitted Color	Natural White
Color Temperature	3800K~4200K
CRI	85
R9	13
Beam Angle	360° Omnidirectional
Oper. Temperature	-40°F to +122°F / -40°C to +50°C
Base	2-Pin G24D / Polycarbonate / White
Heatsink	Aluminum / Silver Color
Lens	Polycarbonate / Frosted White
Dimensions	4.70 x Ø1.57 inch / 119 x Ø40 mm
Net Weight	0.18 lbs / 2.88 oz / 81.65 g



LEDTRONICS®

Creating the Future of LED Light Since 1983™



© 2015 LEDtronics, Inc.

23105 Kashiwa Court, Torrance, CA 90505
 Phone: (800) 579.4875 / (310) 534.1505
 Fax: (310) 534.1424
 E-mail: info@ledtronics.com
 Website: ledtronics.com



To order LEDtronics products,
contact the Distributor or Sales Representative in your area.

Visit our website to find your local Distributor or Representative
from our worldwide network:

LEDTRONICS.COM

WWW.LEDTRONICS.COM

LOG 567 / Rev 03-2015

Check LEDTRONICS.COM for latest data.
Printed material may be outdated.

LED CFL-Replacement Omnidirectional Lamp

2-Pin G24D
Universal Base



9 Watts,
Replaces CFLs up to 18W
in Omnidirectional Applications

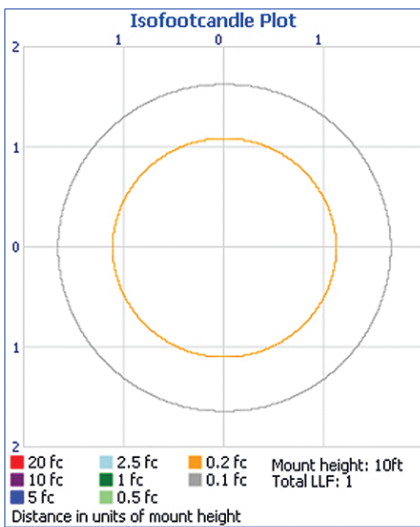
LDLG24DU-10WF-XWW-101A

Input Power	9 Watts
Input Voltage	85~277VAC (Tested @ 120VAC)
Max. Candela	80 cd
Total Lumens	760 lm
Efficacy	80 lm/W
Power Factor	0.99
Emitted Color	Natural White
Color Temperature	3800K~4200K
CRI	85
Beam Angle	360° Omnidirectional
Oper. Temperature	-40°F to +122°F / -40°C to +50°C
Base	2-Pin G24D / Polycarbonate / White
Heatsink	Aluminum / Silver Color
Lens	Polycarbonate / Frosted White
Dimensions	6.67 x Ø1.57 inch / 169 x Ø40 mm
Net Weight	0.3 lbs / 4.8 oz / 136.1 g



PHOTOMETRIC REPORT

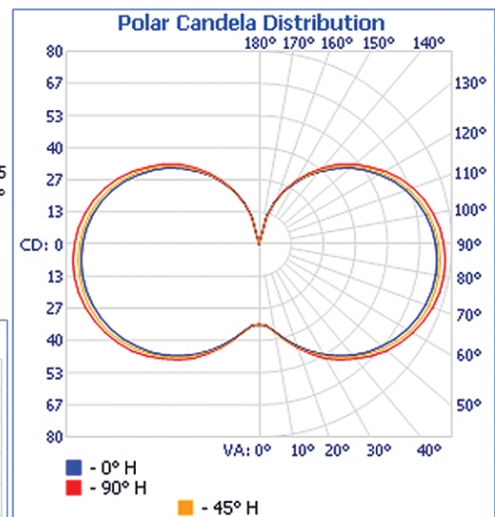
LDLG24DU-10WF-XWW-101A



Filename: LDLG24DU-10WF-XWW-101A
Manufacturer: LEDTRONICS -
Luminaire: FROSTED LENS,9W 120VAC
Luminaire Cat: LDLG24DU-10WF-XWW-101A
Lamp: . LUMEN RATING:759.5Lms.
Lamp Output: 1 lamp(s), rated Lumens/lamp: 759.5
Max Candela: 77.9 at Horizontal: 90°, Vertical: 80°
Luminous Opening: Point
Test: 11-25-14
Photometry : Type C
CIE Class: General Diffuse

	Illuminance at a Distance	
	Center Beam FC	Beam Width
1.7ft	12.09 fc	3.3ft 2.2ft
3.3ft	3.02 fc	6.7ft 4.5ft
5.0ft	1.34 fc	10.0ft 6.7ft
6.7ft	0.76 fc	13.3ft 8.9ft
8.3ft	0.48 fc	16.7ft 11.1ft
10.0ft	0.34 fc	20.0ft 13.4ft

Vert. Spread: 90.0° Horiz. Spread: 67.5°



LED CFL-Replacement Omnidirectional Lamp

4-Pin G24Q
Universal Base



9 Watts,
Replaces CFLs up to 18W
in Omnidirectional Applications

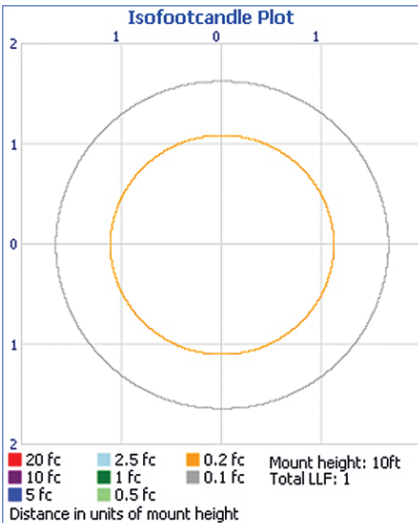
LDLG24QU-10WF-XWW-101A

Input Power	9 Watts
Input Voltage	85~277VAC (Tested @ 120VAC)
Max. Candela	80 cd
Total Lumens	760 lm
Efficacy	80 lm/W
Power Factor	0.99
Emitted Color	Natural White
Color Temperature	3800K~4200K
CRI	85
Beam Angle	360° Omnidirectional
Oper. Temperature	-40°F to +122°F / -40°C to +50°C
Base	4-Pin G24Q / Polycarbonate / White
Heatsink	Aluminum / Silver Color
Lens	Polycarbonate / Frosted White
Dimensions	6.67 x Ø1.57 inch / 169 x Ø40 mm
Net Weight	0.3 lbs / 4.8 oz / 136.1 g



PHOTOMETRIC REPORT

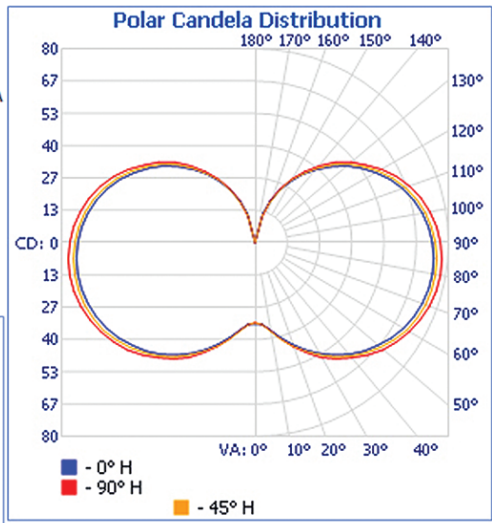
LDLG24QU-10WF-XWW-101A



Filename: LDLG24QU-10WF-XWW-101A
Manufacturer: LEDTRONICS -
Luminaire: FROSTED LENS,9W 120VAC
Luminaire Cat: PAR36-LEDLG24DU-10WF-XWW-101A
Lamp: . LUMEN RATING:759.5Lms.
Lamp Output: 1 lamp(s), rated Lumens/lamp: 759.5
Max Candela: 77.9 at Horizontal: 90°, Vertical: 80°
Luminous Opening: Point
Test: 11-19-14
Photometry: Type C
CIE Class: General Diffuse
Cutoff Class: Noncutoff

Distance	Illuminance at a Distance	
	Center Beam FC	Beam Width
1.7ft	12.09 fc	3.3ft 2.2ft
3.3ft	3.02 fc	6.7ft 4.5ft
5.0ft	1.34 fc	10.0ft 6.7ft
6.7ft	0.76 fc	13.3ft 8.9ft
8.3ft	0.48 fc	16.7ft 11.1ft
10.0ft	0.34 fc	20.0ft 13.4ft

Vert. Spread: 90.0° Horiz. Spread: 67.5°



LED CFL-Replacement Omnidirectional Lamp

4-Pin G24Q
Universal Base



11 Watts,
Replaces CFLs up to 23W
in Omnidirectional Applications

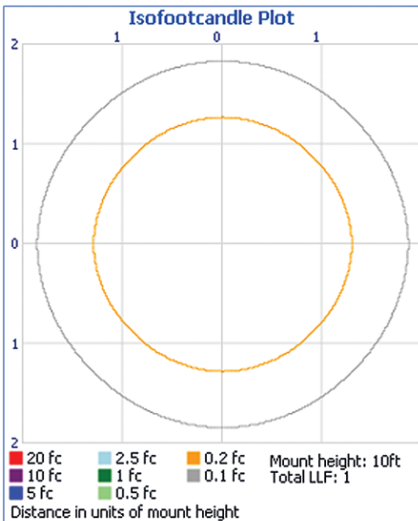
LDLG24QU-12WF-XWW-101A

Input Power	11 Watts
Input Voltage	85~277VAC (Tested @ 120VAC)
Max. Candela	100 cd
Total Lumens	965 lm
Efficacy	85 lm/W
Power Factor	0.98
Emitted Color	Natural White
Color Temperature	3800K~4200K
CRI	85
Beam Angle	360° Omnidirectional
Oper. Temperature	-40°F to +122°F / -40°C to +50°C
Base	4-Pin G24Q / Polycarbonate / White
Heatsink	Aluminum / Silver Color
Lens	Polycarbonate / Frosted White
Dimensions	6.67 x Ø1.57 inch / 169 x Ø40 mm
Net Weight	0.3 lbs / 4.8 oz / 136.1 g



PHOTOMETRIC REPORT

LDLG24QU-12WF-XWW-101A



Filename: LDLG24QU-12WF-XWW-101A
Manufacturer: LEDTRONICS -
Luminaire: FROSTED LENS, 11.3w 120VAC
Luminaire Cat: LDLG24QU-12WF-XWW-101A
Lamp: . LUMEN RATING:964.5Lms.
Lamp Output: 1 lamp(s), rated Lumens/lamp: 964.5
Max Candela: 100.9 at Horizontal: 90°, Vertical: 80°
Luminous Opening: Point
Test: 11-19-14
Photometry : Type C
CIE Class: General Diffuse
Cutoff Class: Noncutoff

Distance	Illuminance at a Distance	
	Center Beam FC	Beam Width
1.7ft	12.95 fc	3.3ft 2.2ft
3.3ft	3.24 fc	6.7ft 4.4ft
5.0ft	1.44 fc	10.0ft 6.7ft
6.7ft	0.81 fc	13.3ft 8.9ft
8.3ft	0.52 fc	16.7ft 11.1ft
10.0ft	0.36 fc	20.0ft 13.3ft

■ Vert. Spread: 90.0° ■ Horiz. Spread: 67.3°

