



LED CFL-Replacement Omnidirectional Lamps

6, 9 or 11 Watts – 85~277VAC – 3000K or 4000K White – 2 Pin G24D or 4 Pin G24Q Universal Base



FEATURES

- 3 Year LEDtronic Warranty
- Direct Retrofit into Fixtures with G24D/G24Q Base
- Energy Savings of up to 50% over CFLs
- Lumen Maintenance over 70% @ 50,000+ Hours
- High CRI, High Lumen
- No UV/IR Radiation, No Toxic Mercury, RoHS Compliant
- Even Lighting, No Buzzing, No Flickering
- LM-80 Reports Available



APPLICATIONS

- Ceiling Installations for General Ambient Lighting in Offices & Public Facilities
- Retail Store Lighting
- Museums, Galleries, Showrooms
- Hotels, Hospitality Areas
- Hospitals, Clinics, Workrooms
- Corridors, Lobbies, Stairways

Over 30 Years of LEDtronic Design, Engineering & Manufacturing Experience

2-Pin G24D
Universal Base



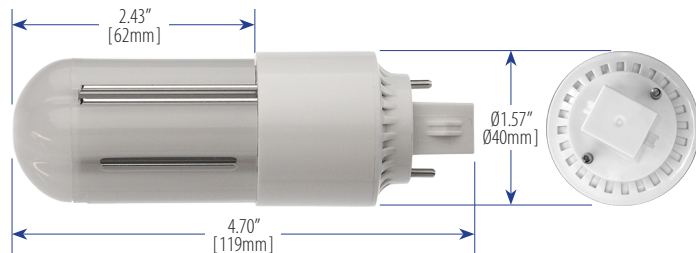
6 Watts,
Replaces CFLs up to 13W in
Omnidirectional Applications

LDLG24DU-8WF-XWW-101A

| | |
|--------------------------|------------------------------------|
| Input Power | 6 Watts |
| Input Voltage | 85~277VAC (Tested @ 120VAC) |
| Input Current | 0.050A |
| Total Lumens | 560 lm |
| Efficacy | 95 lm/W |
| Max. Candela | 65 cd |
| Power Factor | 1.0 |
| Emitted Color | Natural White |
| Color Temperature | 3800K~4200K |
| CRI | 85 |
| R9 | 13 |
| Beam Angle | 360° Omnidirectional |
| Oper. Temperature | -40°F to +122°F / -40°C to +50°C |
| Base | 2-Pin G24D / Polycarbonate / White |
| Heatsink | Aluminum / Silver Color |
| Lens | Polycarbonate / Frosted White |
| Dimensions | 4.70 x Ø1.57 inch / 119 x Ø40 mm |
| Net Weight | 0.18 lbs / 2.88 oz / 81.65 g |

CAUTIONS

- Only for installations where lamp is oriented vertically, with base inserted either up or down.
- Ballast bypass required.
- Not intended for totally enclosed fixtures.
- Surge protection recommended.



LEDTRONICS®

America's Premium Brand LED Company™



23105 Kashiwa Court, Torrance, CA 90505
 Phone: (800) 579.4875 / (310) 534.1505
 Fax: (310) 534.1424
 E-mail: info@ledtronics.com
 Website: ledtronics.com

© 2017 LEDtronic, Inc.

To order LEDtronic products,
contact the Distributor or Sales Representative in your area.

Visit our website to find your local Distributor or Representative from our worldwide network:

LEDtronic.com

WWW.LEDTRONICS.COM

LOG 567 / Rev 05-2017

Check LEDTRONICS.COM for latest data.
Printed material may be outdated.

LED CFL-Replacement Omnidirectional Lamp: G24D Base / 10 Watts



2-Pin G24D
Universal Base



9 Watts,
Replaces CFLs up to 18W
in Omnidirectional Applications

LDLG24DU-10WF-XWW-101A

| | |
|--------------------------|------------------------------------|
| Input Power | 9 Watts |
| Input Voltage | 85~277VAC (Tested @ 120VAC) |
| Max. Candela | 80 cd |
| Total Lumens | 760 lm |
| Efficacy | 80 lm/W |
| Power Factor | 0.99 |
| Emitted Color | Natural White |
| Color Temperature | 3800K~4200K |
| CRI | 85 |
| Beam Angle | 360° Omnidirectional |
| Oper. Temperature | -40°F to +122°F / -40°C to +50°C |
| Base | 2-Pin G24D / Polycarbonate / White |
| Heatsink | Aluminum / Silver Color |
| Lens | Polycarbonate / Frosted White |
| Dimensions | 6.67 x Ø1.57 inch / 169 x Ø40 mm |
| Net Weight | 0.3 lbs / 4.8 oz / 136.1 g |

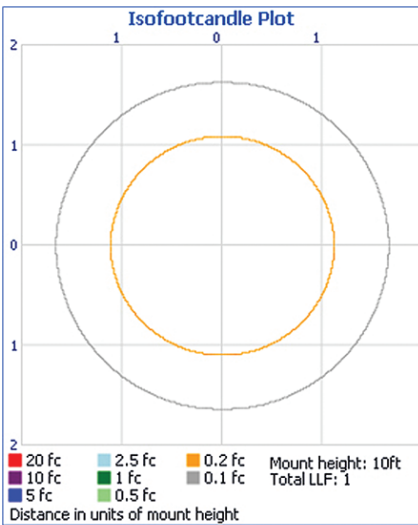
CAUTIONS

- Only for installations where lamp is oriented vertically, with base inserted either up or down.
- Ballast bypass required.
- Not intended for totally enclosed fixtures.
- Surge protection recommended.



PHOTOMETRIC REPORT

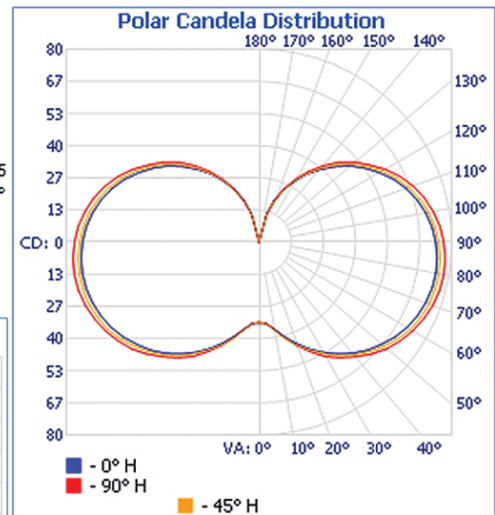
LDLG24DU-10WF-XWW-101A



Filename: LDLG24DU-10WF-XWW-101A
Manufacturer: LEDTRONICS -
Luminaire: FROSTED LENS,9W 120VAC
Luminaire Cat: LDLG24DU-10WF-XWW-101A
Lamp: . LUMEN RATING:759.5Lms.
Lamp Output: 1 lamp(s), rated Lumens/lamp: 759.5
Max Candela: 77.9 at Horizontal: 90°, Vertical: 80°
Luminous Opening: Point
Test: 11-25-14
Photometry : Type C
CIE Class: General Diffuse

| Distance | Illuminance at a Distance | |
|----------|---------------------------|---------------|
| | Center Beam FC | Beam Width |
| 1.7ft | 12.09 fc | 3.3ft 2.2ft |
| 3.3ft | 3.02 fc | 6.7ft 4.5ft |
| 5.0ft | 1.34 fc | 10.0ft 6.7ft |
| 6.7ft | 0.76 fc | 13.3ft 8.9ft |
| 8.3ft | 0.48 fc | 16.7ft 11.1ft |
| 10.0ft | 0.34 fc | 20.0ft 13.4ft |

Vert. Spread: 90.0° Horiz. Spread: 67.5°



LED CFL-Replacement Omnidirectional Lamp: G24Q Base / 10 Watts



4-Pin G24Q
Universal Base



9 Watts,
Replaces CFLs up to 18W
in Omnidirectional Applications

LDLG24QU-10WF-XWW-101A

| | |
|--------------------------|------------------------------------|
| Input Power | 9 Watts |
| Input Voltage | 85~277VAC (Tested @ 120VAC) |
| Max. Candela | 80 cd |
| Total Lumens | 760 lm |
| Efficacy | 80 lm/W |
| Power Factor | 0.99 |
| Emitted Color | Natural White |
| Color Temperature | 3800K~4200K |
| CRI | 85 |
| Beam Angle | 360° Omnidirectional |
| Oper. Temperature | -40°F to +122°F / -40°C to +50°C |
| Base | 4-Pin G24Q / Polycarbonate / White |
| Heatsink | Aluminum / Silver Color |
| Lens | Polycarbonate / Frosted White |
| Dimensions | 6.67 x Ø1.57 inch / 169 x Ø40 mm |
| Net Weight | 0.3 lbs / 4.8 oz / 136.1 g |

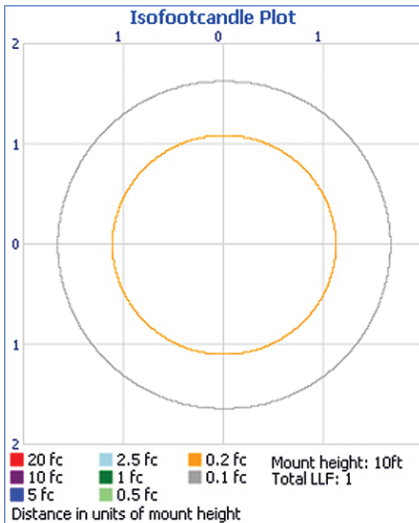
CAUTIONS

- Only for installations where lamp is oriented vertically, with base inserted either up or down.
- Ballast bypass required.
- Not intended for totally enclosed fixtures.
- Surge protection recommended.



PHOTOMETRIC REPORT

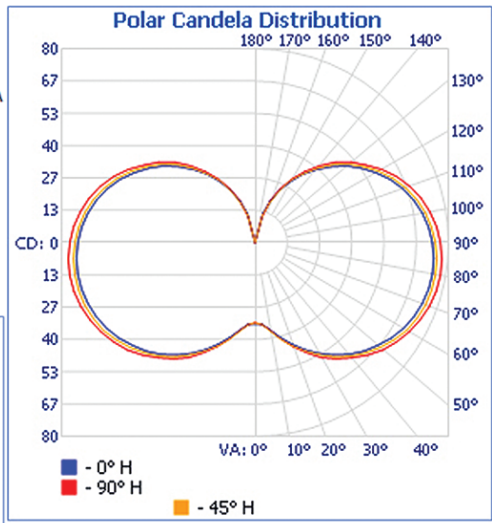
LDLG24QU-10WF-XWW-101A



Filename: LDLG24QU-10WF-XWW-101A
Manufacturer: LEDTRONICS -
Luminaire: FROSTED LENS,9W 120VAC
Luminaire Cat: PAR36-LEDLG24DU-10WF-XWW-101A
Lamp: . LUMEN RATING:759.5Lms.
Lamp Output: 1 lamp(s), rated Lumens/lamp: 759.5
Max Candela: 77.9 at Horizontal: 90°, Vertical: 80°
Luminous Opening: Point
Test: 11-19-14
Photometry : Type C
CIE Class: General Diffuse
Cutoff Class: Noncutoff

| Distance | Illuminance at a Distance | |
|----------|---------------------------|---------------|
| | Center Beam FC | Beam Width |
| 1.7ft | 12.09 fc | 3.3ft 2.2ft |
| 3.3ft | 3.02 fc | 6.7ft 4.5ft |
| 5.0ft | 1.34 fc | 10.0ft 6.7ft |
| 6.7ft | 0.76 fc | 13.3ft 8.9ft |
| 8.3ft | 0.48 fc | 16.7ft 11.1ft |
| 10.0ft | 0.34 fc | 20.0ft 13.4ft |

Vert. Spread: 90.0° Horiz. Spread: 67.5°



LED CFL-Replacement Omnidirectional Lamp: G24Q Base / 12 Watts



4-Pin G24Q
Universal Base



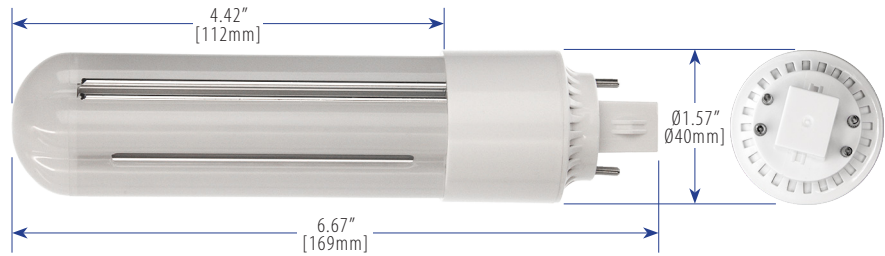
11 Watts,
Replaces CFLs up to 23W
in Omnidirectional Applications

LDLG24QU-12WF-XIW-101A (Warm White)
LDLG24QU-12WF-XWW-101A (Natural White)

| | XIW | XWW |
|--------------------------|------------------------------------|---------------|
| Input Power | 11 Watts | |
| Input Voltage | 85~277VAC (Tested @ 120VAC) | |
| Input Current | 0.090A | 0.095A |
| Max. Candela | 105 cd | 100 cd |
| Total Lumens | 965 lm | |
| Efficacy | 90 lm/W | 85 lm/W |
| Power Factor | 0.99 | 0.98 |
| Emitted Color | Warm White | Natural White |
| Color Temperature | 2800K~3200K | 3800K~4200K |
| CRI | 85 | |
| Beam Angle | 360° Omnidirectional | |
| Oper. Temperature | -40°F to +122°F / -40°C to +50°C | |
| Base | 4-Pin G24Q / Polycarbonate / White | |
| Heatsink | Aluminum / Silver Color | |
| Lens | Polycarbonate / Frosted White | |
| Dimensions (typ.) | 6.67 x Ø1.57 inch / 169 x Ø40 mm | |
| Net Weight | 0.3 lbs / 4.8 oz / 136.1 g | |

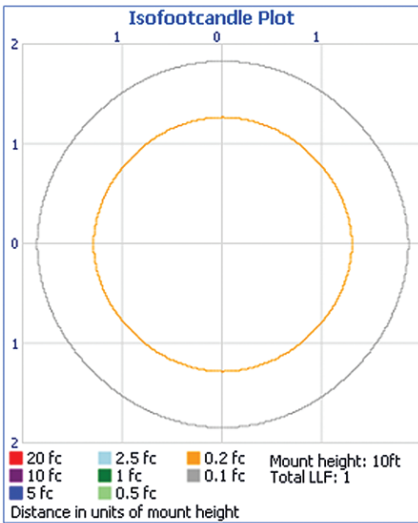
CAUTIONS

- Only for installations where lamp is oriented vertically, with base inserted either up or down.
- Ballast bypass required.
- Not intended for totally enclosed fixtures.
- Surge protection recommended.



PHOTOMETRIC REPORT

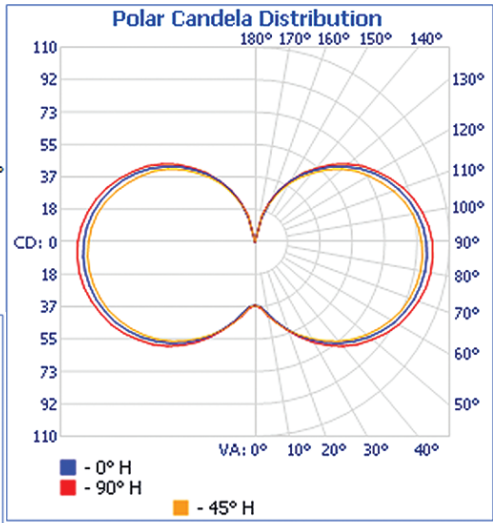
LDLG24QU-12WF-XWW-101A



Filename: LDLG24QU-12WF-XWW-101A
Manufacturer: LEDTRONICS -
Luminaire: FROSTED LENS, 11.3w 120VAC
Luminaire Cat: LDLG24QU-12WF-XWW-101A
Lamp: . LUMEN RATING:964.5Lms.
Lamp Output: 1 lamp(s), rated Lumens/lamp: 964.5
Max Candela: 100.9 at Horizontal: 90°, Vertical: 80°
Luminous Opening: Point
Test: 11-19-14
Photometry : Type C
CIE Class: General Diffuse
Cutoff Class: Noncutoff

| Center Beam FC | Illuminance at a Distance | |
|----------------|---------------------------|---------------|
| | Beam Width | |
| 1.7ft | 12.95 fc | 3.3ft 2.2ft |
| 3.3ft | 3.24 fc | 6.7ft 4.4ft |
| 5.0ft | 1.44 fc | 10.0ft 6.7ft |
| 6.7ft | 0.81 fc | 13.3ft 8.9ft |
| 8.3ft | 0.52 fc | 16.7ft 11.1ft |
| 10.0ft | 0.36 fc | 20.0ft 13.3ft |

■ Vert. Spread: 90.0° ■ Horiz. Spread: 67.3°



23105 Kashiwa Court, Torrance, CA 90505
 Phone: (800) 579.4875 / (310) 534.1505

Fax: (310) 534.1424

E-mail: info@ledtronics.com

Website: ledtronics.com