



Tokistar

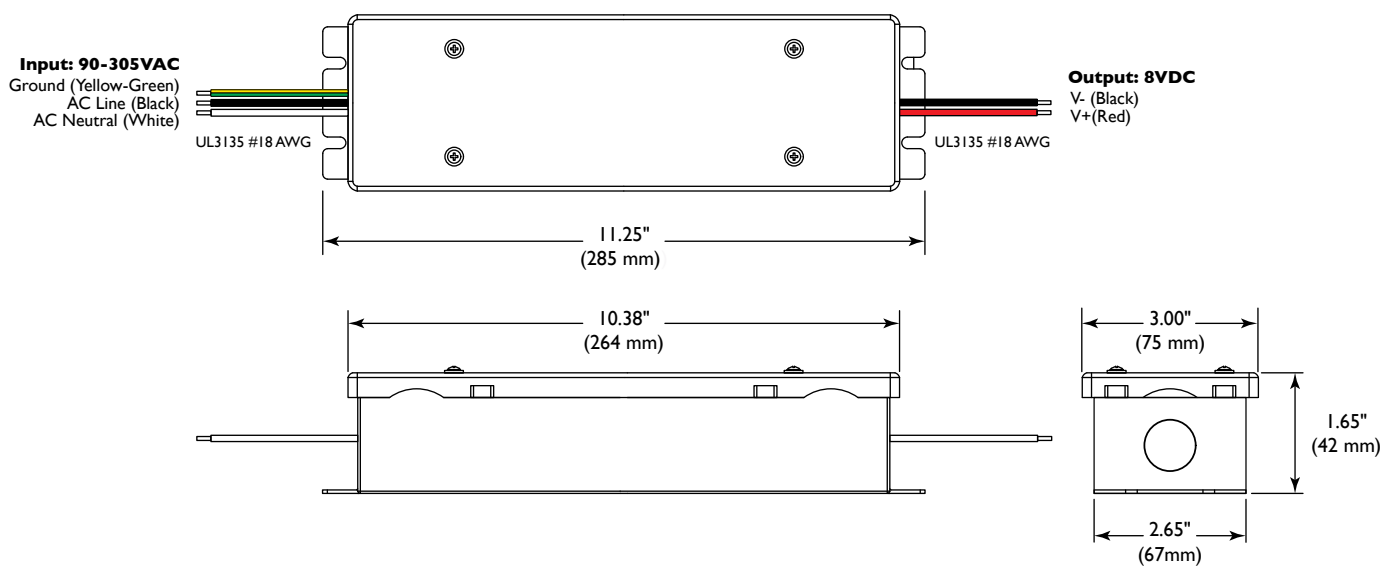
LED Driver Specifications

LDR8-40

LED Driver

Tokistar's LDR8-40 is a 40 Watt Class 2 LED Driver with a single 8VDC/40 Watt output. The design allows for all DC and AC wiring to be done inside the unit, without the need for external junction boxes. The enclosure is rated Nema 3/IP 65 and suitable for wet locations.

Input range is 90-305VAC/47-63 Hz, and the output may be adjusted +10% / -25%. Tokistar offers a wide range of dimming options which are installed on the secondary outputs. The primary input is not to be dimmed.



Specifications

Input Range: 90-305 VAC
Frequency Range: 47-63 Hz
Output: 8VDC (Adjustable +5% / -30%)
Max. Output Current: 5.0A
Max. Output Power: 40W

Mechanical Specifications

Dimensions: 11.25" x 3.0" x 1.5"
Weight: 2.15 lbs./ .97 kg.
Enclosure Rating: NEMA 3/IP 65
Mounting: Flange Mount
Connection: Knockouts for 1/2" Conduit

Tokistar Lighting is ETL Listed when operated with our Class 2 LED Drivers.



TOKISTAR® LIGHTING INC.

1015 E. Discovery Lane • Anaheim, CA 92801

Tel: 714.772.7005 • Fax: 714.772.7014 • Toll free in USA: 877.340.7633
Email: info@tokistar.com • Website: www.tokistar.com



Tokistar

LED Driver Specifications

LDR8-40

LED Driver

Input Specification

Voltage Range	Frequency Range	Max In rush Current
90-305VAC (100-277VAC Nominal)	47-63 Hz	50A@230 VAC input, 25°C, cold start-up

Output Specification

Max Power	40 W	Transient Response	8 mS, full load to half load, 120 VAC Input
Load Regulation	+/- 1% Max	Short Circuit Protection	Hiccup-Mode, Auto-Recovery upon removal of short circuit condition.
Efficiency	80% typ.	Constant Voltage (CV) Mode Load Regulation	+/- 5% Max (Voltage Setting Adjustable via on-board pot: +5%/-30%)
Noise/Ripple	1.5% of Rated Output Voltage*	Constant-Current (CC) Mode Regulation	+/- 5% Max (Current Setting Adjustable via on-board pot: +5%/-90%)
Start-up Time	2 sec. Typical	Over Voltage Protection	132% Max
Hold-up Time	2mS @ full load, 120VAC input	Over Current Protection	Constant-current limiting

*All noise measurements made at output terminals, connected to a 20MHz low pass filter.

Environmental Specification

MTBF	Cooling	Operating Temp	Storage Temp	Relative Humidity
55,000 hours (Full load @ 25°C Ambient, Based on MIL-217F)	Convection	-40°C to 60°C (Full load)	-40°C to 85°C	5% - 95 %

Compliance/Safety

EMI/RFI:	CISPR-22 Class BFCC part 15 Class B EN 55015
Safety Standards:	UL1012/1585, UL8750, UL879, UL Class 2 Wet locations, UL 48, cUL, CE, UL #: E342485 EN 61347-2-13, CCC, PSE
Weatherability:	EN60529 NEMA 3/IP 65

Dimming Options

Tokistar Dimming Controls	Dimming Control
1. LC-1CH-MULTI	<ul style="list-style-type: none"> • 0/1-10VDC • DMX 512 • Manual Dip Switches
2. LDR-DIM	<ul style="list-style-type: none"> • 0/1-10VDC
3. LC-1CH-DP	<ul style="list-style-type: none"> • Tokistar LC-DMR

Mechanical

NEMA 3 Design with patented AC and DC Wiring compartments, fully potted PCB.

RGB Lighting Control Options

Tokistar Lighting Controls	Dimming Control
1. LC-3CH-DMX	<ul style="list-style-type: none"> • DMX 512
2. LC-3CH-DP	<ul style="list-style-type: none"> • Tokistar LC-3CH-CM

TOKISTAR® LIGHTING INC.

1015 E. Discovery Lane • Anaheim, CA 92801

Tel: 714.772.7005 • Fax: 714.772.7014 • Toll free in USA: 877.340.7633

Email: info@tokistar.com • Website: www.tokistar.com

V1.3