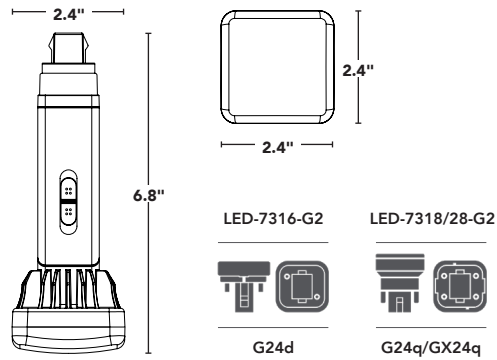
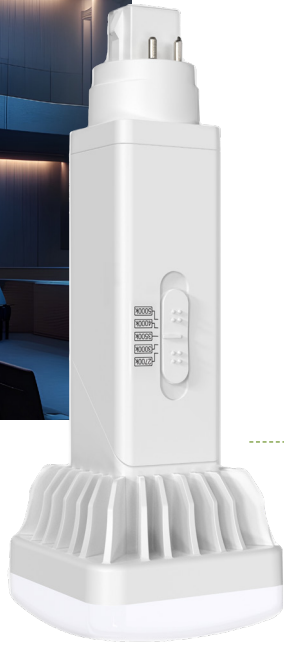





**FEATURING FLEXCOLOR, 90° ROTATABLE HEAD, AND ADJUSTABLE BASE.**  
 Perfect for PL applications, and provide a long-lasting LED alternative for areas in offices, hotels, lobbies, schools, etc.

- Replaces up to 42W CFL
- Easily toggle between CCTs via switch on the lamp
- Up to 1850 lumen output
- Suitable for damp environments
- 90° rotatable head allows for installation in horizontal or vertical sockets
- Base rotates and extends for proper positioning and orientation of lamp
- Hybrid driver allows operation on 120-277VAC line voltage or with a compatible ballast



**FLEXCOLOR**  
 SWITCH BETWEEN 3 CCTs



PART #	UPC	REPLACES	WATTAGE	LUMENS	CCT	MOUNTING	BASE
LED-7316-FC-G2	197810026662	32W	9W	1050-1100	FLEXCOLOR 2700K/3000K 3500K/4000K/5000K	 OMNI-DIRECTIONAL	G24d*
LED-7318-FC-G2	197810026679	32W	9W	1050-1100			G24q GX24q**
LED-7328-FC-G2	197810026686	42W	16W	1750-1850			

\* COMPATIBLE W/ BASE G24d-1, G24d-2 AND G24d-3

\*\* COMPATIBLE W/ BASE G24q-1, G24q-2, G24q-3, GX24q-2, GX24q-3 AND GX24q-4

FOR BALLAST COMPATIBILITY SEE PG. 2

RECOMMENDED MOUNTING ORIENTATION    ↑ BASE UP    ↓ BASE DOWN    ↔ HORIZONTAL



**LED-7316 BALLAST COMPATIBILITY**

LED-7316 IS COMPATIBLE WITH STANDARD MAGNETIC BALLASTS.

IN THE UNLIKELY EVEN THAT A MAGNETIC BALLAST DOES NOT WORK PROPERLY WITH THE LAMP, THEN BYPASS THE BALLAST.

**LED-7318 / LED-7328 BALLAST COMPATIBILITY LIST**

COMPATIBLE BALLASTS		1 LAMP/120V	1 LAMP/227V	2 LAMP/120V	2 LAMP/227V
AC ELECTRONICS	CSS-UV42PS	✓	✓	✓	✓
	CSD-UV42PS	✓		✓	✓
FULHAM	RHA-UNV-242-C			✓	
KEYSTONE	KTEB-226-UV-RS-DW			✓	✓
	KTEB-218-UV-RS-DW			✓	✓
MOTOROLA	M2-CF-26-B-S-277				✓
OSRAM SYLVANIA	QTP 2x26/32/42CFUNV DM PEM			✓	✓
	QTP 2x26CF/UNV DM	✓	✓	✓	✓
	QTP 2x26/32/42CFUNV DM			✓	✓
	QTP 2x26CF/UNV BS	✓	✓		✓
PHILIPS ADVANCE	ICF-2S42-M2-LD			✓	
	ICF-2S26-H1-LD	✓	✓	✓	✓
	ICF-2S26-M1-BS	✓	✓	✓	✓
	RCF-2S26-M1-LS-QS	✓		✓	
SUNPARK	U-226PS-W	✓	✓	✓	✓
UNIVERSAL LIGHTING TECHNOLOGIES	C2642UNVME	✓	✓	✓	✓
	C2642UNVBE	✓	✓	✓	✓

**LED-7318 / LED-7328 DIMMING BALLAST COMPATIBILITY LIST**

COMPATIBLE BALLASTS		1 LAMP/120V	1 LAMP/227V	2 LAMP/120V	2 LAMP/227V
PHILIPS ADVANCE*	IZT-2S26-M5-LD	✓	✓	✓	✓

\*TEST PERFORMANCE OF LAMPS ON A PARTIAL INSTALLATION PRIOR TO MASS INSTALLATION

**NOTES**

DO NOT INSTALL IN AN ENCLOSED FIXTURE

DO NOT INSTALL IN WET LOCATIONS OR WHERE CONTACT WITH WATER IS POSSIBLE

**DLC INFORMATION**

PART #	GENERAL APPLICATION	DLC CODE	FAMILY CODE
LED-7318-FC-G2	HORIZONTALLY-MOUNTED LAMPS	S-HR5FF6	SLFHJ
	VERTICALLY-MOUNTED LAMPS	S-CXKVHH	
LED-7328-FC-G2	HORIZONTALLY-MOUNTED LAMPS	S-RDXBLD	
	VERTICALLY-MOUNTED LAMPS	S-K4TH1X	